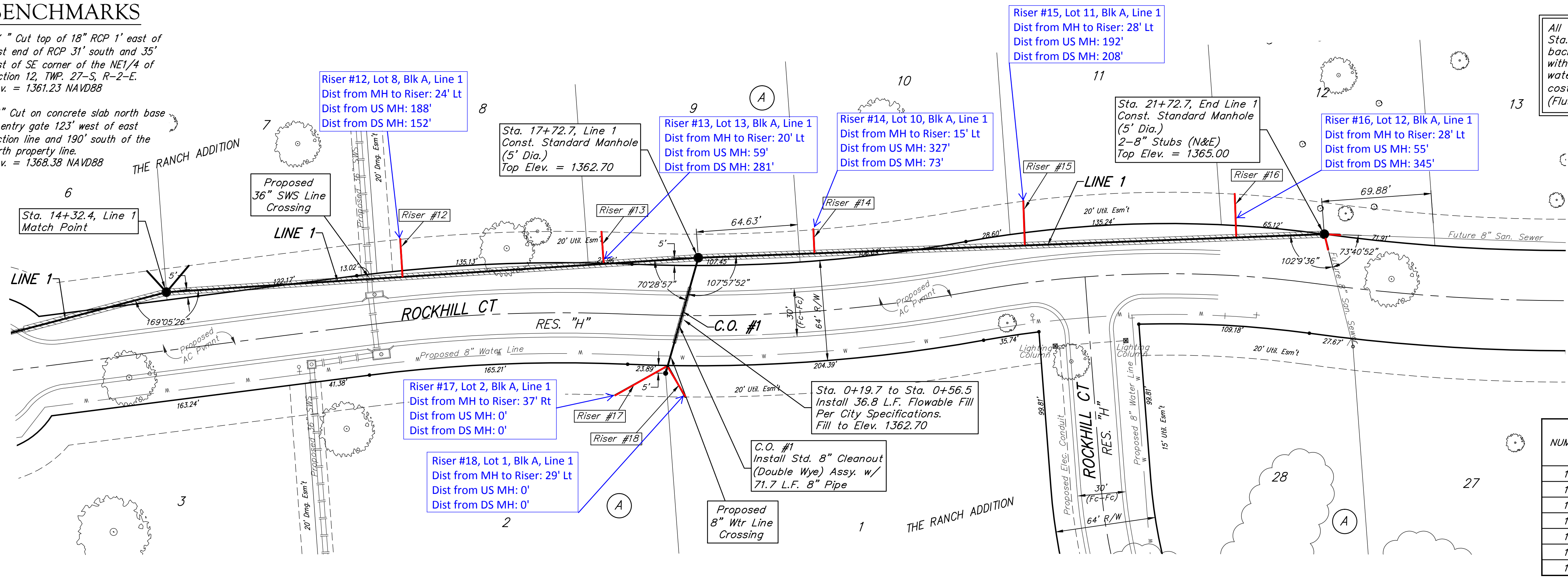
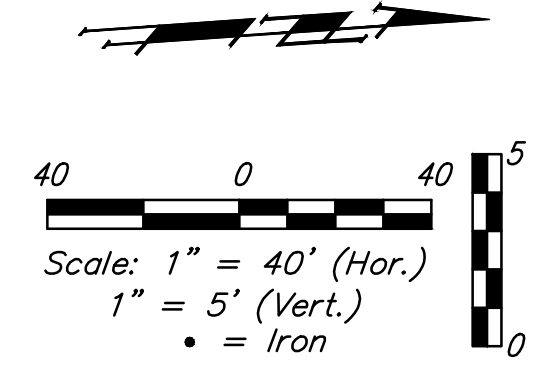


BENCHMARKS

"X" Cut top of 18" RCP 1' east of west end of RCP 31' south and 35' east of SE corner of the NE1/4 of Section 12, TWP. 27-S, R-2-E. Elev. = 1361.23 NAVD88

"□" Cut on concrete slab north base of entry gate 123' west of east section line and 190' south of the north property line. Elev. = 1368.38 NAVD88

All trench and manhole excavation areas from Sta. 14+32.4 to Sta. 21+72.7, Line 1 shall be backfilled with sand. The sand backfill shall be within two feet of existing grade and shall be water-jetted and vibrated during backfilling. All costs shall be paid for as L.F. "Fill, Sand (Flushed & Vibrated)".

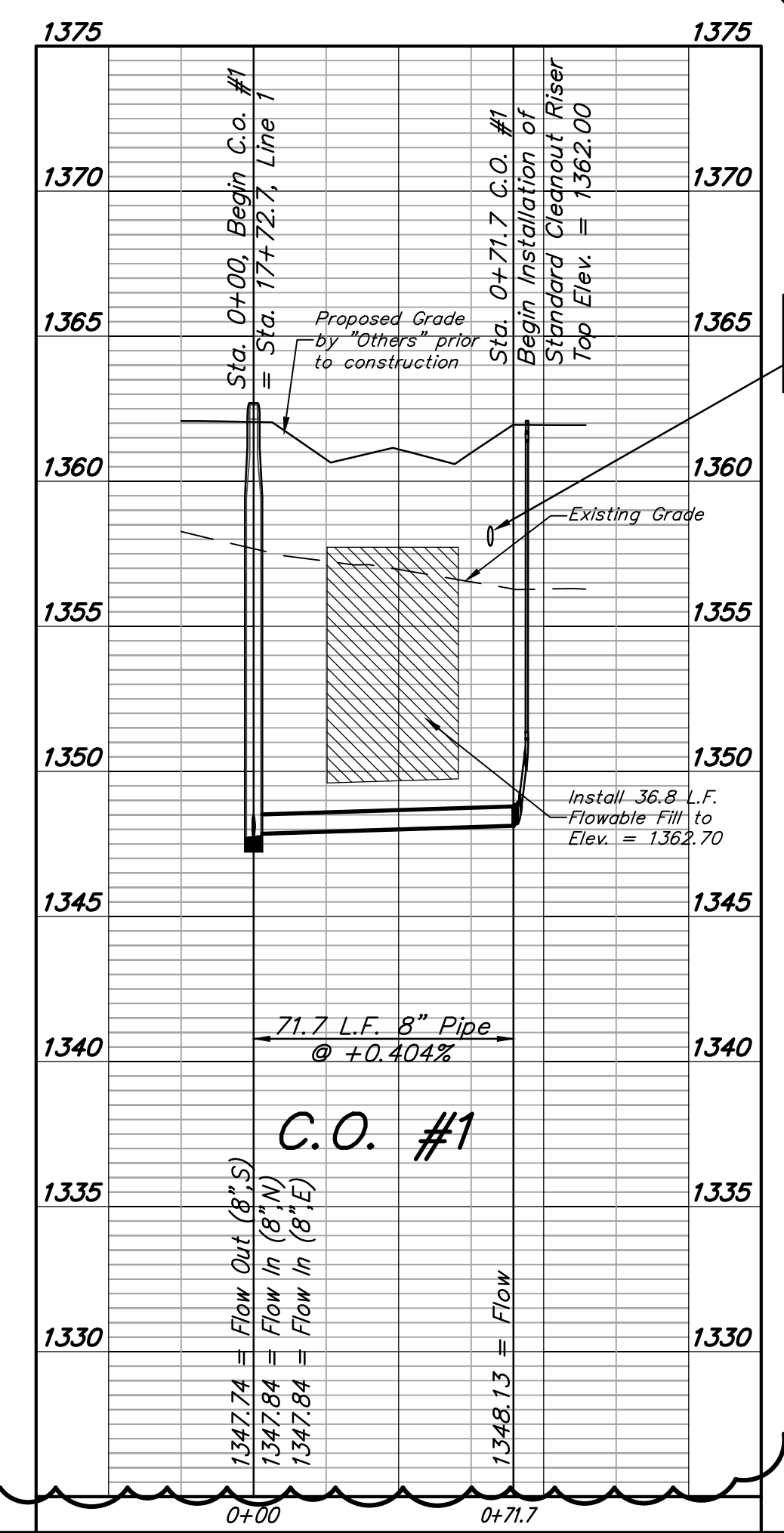
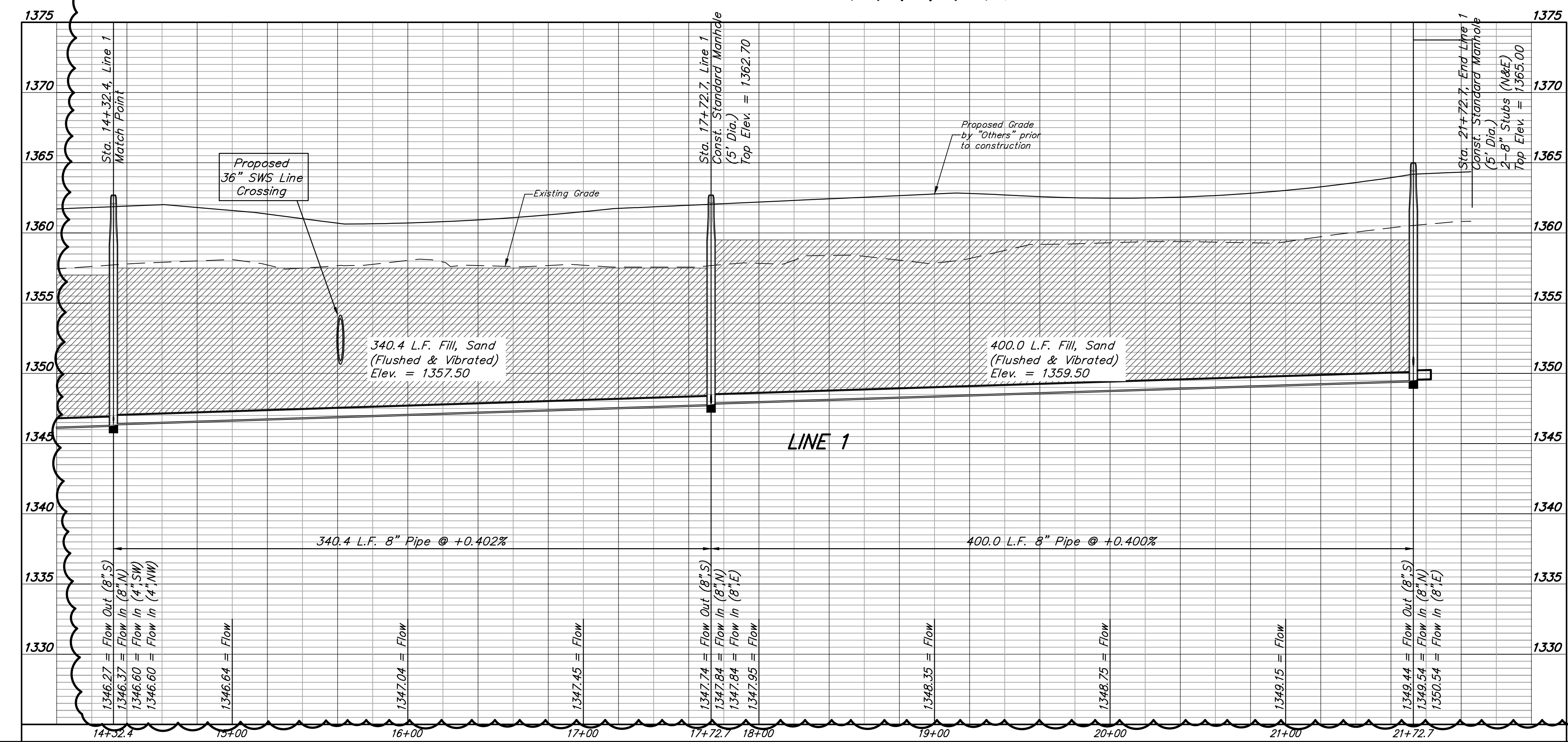


NOTE: 8" cleanout assy. shall be bid per each. 8" pipe from manhole to cleanout riser shall be bid as L.F. 8" pipe.

SEWER SERVICE TABLE

NUMBER	TYPE	LOCATION			FOR INFORMATION ONLY		
		LOT NO.	BLOCK NO.	LINE NO.	STATION/DIRECTION	APPROXIMATE LENGTH 4" PIPE	
					VERTICAL	HORIZONTAL	
12	8" X 4" Tee	8	A	1	15+84/Lt.	9'	24'
13	8" X 4" Tee	9	A	1	17+13/Lt.	9'	20'
14	8" X 4" Tee	10	A	1	18+47/Lt.	9'	15'
15	8" X 4" Tee	11	A	1	19+82/Lt.	9'	28'
16	8" X 4" Tee	12	A	1	21+17/Lt.	9'	28'
17	4" Riser	2	A	CO #1	0+71.7/Rt.	9.5'	36' 37'
18	4" Riser	1	A	CO #1	0+71.7/Lt.	9.5'	22' 29'

NOTE: Vertical Riser Pipe shall be extended to 2' minimum above ground water elevation and 4' maximum below proposed ground elevation.



Baughman The Ranch Addition - Phase I
LINE 1
 Sanitary Sewer Improvements

PROJECT NUMBER: 468-84919
 DESIGN: AEG
 DRAWN: JAK
 DATE: 05/14

REVISIONS: 6/24/14 TMS
 SCALE: Noted
 SHEET: 4 OF 17