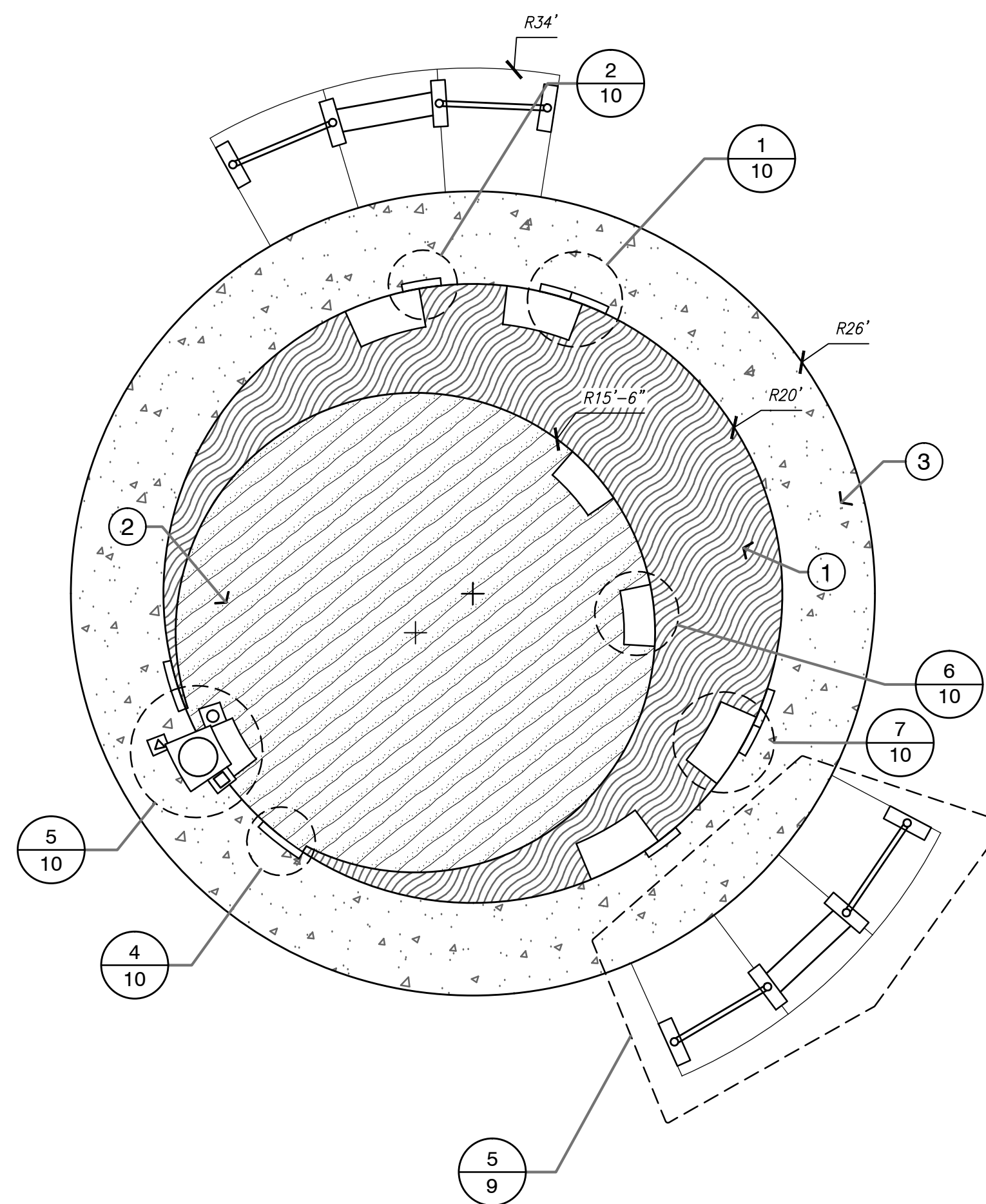


- 1 Holland Stone Parkway 60mm Series from PaveStone, Color: Winter Blend. Installed per manufacture specifications.
- 2 Holland Stone Parkway 60mm Series from PaveStone, Color: Oaks Blend. Installed per manufacture specifications.
- 3 5" Concrete; (no color additive) Concrete to be reinforced with 6" x 6" w1.4 x w1.4 Welded Wire Fabric

**1 CIRCULAR PLAZA (HILLSIDE)**

1/8" = 1'-0"

0330-09



- 1 Holland Stone Parkway 60mm Series from PaveStone, Color: Winter Blend. Installed per manufacture specifications.
- 2 Holland Stone Parkway 60mm Series from PaveStone, Color: Oaks Blend. Installed per manufacture specifications.
- 3 5" Concrete; (no color additive) Concrete to be reinforced with 6" x 6" w1.4 x w1.4 Welded Wire Fabric

**2 CIRCULAR PLAZA (17TH)**

1/8" = 1'-0"

0330-11

**DuMor, inc.**

DU MOR, INC.  
15 INDUSTRIAL CIRCLE, P.O. BOX 142  
MIFFLINTOWN, PA 17059-0142  
1-800-598-4018  
PHONE: (717) 436-2106  
FAX: (717) 436-9839  
www.dumor.com

CUSTOM LETTERING (37 SPACES)

SELECT DESIRED LENGTH

8' LENGTH

8' LENGTH

ISOMETRIC VIEW  
NOT TO SCALE

FRONT VIEW  
NOT TO SCALE

SIDE VIEW  
NOT TO SCALE

**NOTES:**

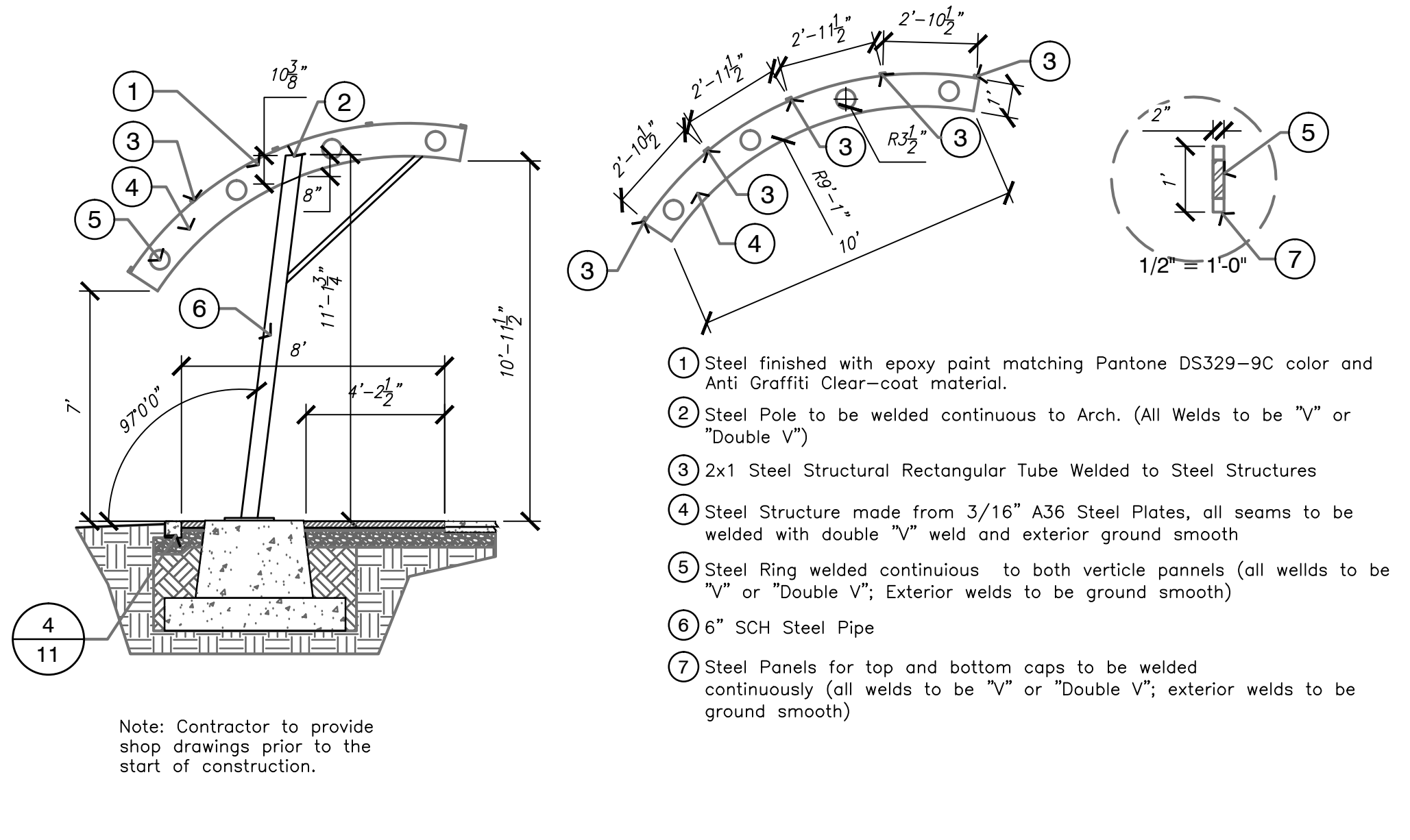
- INSTALLATION TO BE COMPLETED IN ACCORDANCE WITH MANUFACTURER'S SPECIFICATIONS.
- DO NOT SCALE DRAWINGS.
- ALL STL. MEMBERS COATED W/ ZINC RICH EPOXY THEN FINISHED W/ POLYESTER POWDER COATING.
- 1/2" X 3/4" EXPANSION ANCHOR BOLTS PROVIDED.
- CUSTOM LETTERING AVAILABLE FOR RECESSED SIDE PANEL (37 TOTAL SPACES).
- CONTRACTOR'S NOTE: FOR PRODUCT AND PURCHASING INFORMATION VISIT [www.CADdetails.com/info](http://www.CADdetails.com/info) REFERENCE NUMBER 017-302.

**58 SERIES STEEL BENCH**

NOT TO SCALE

017-302  
PROTECTED BY COPYRIGHT - 11/10/05

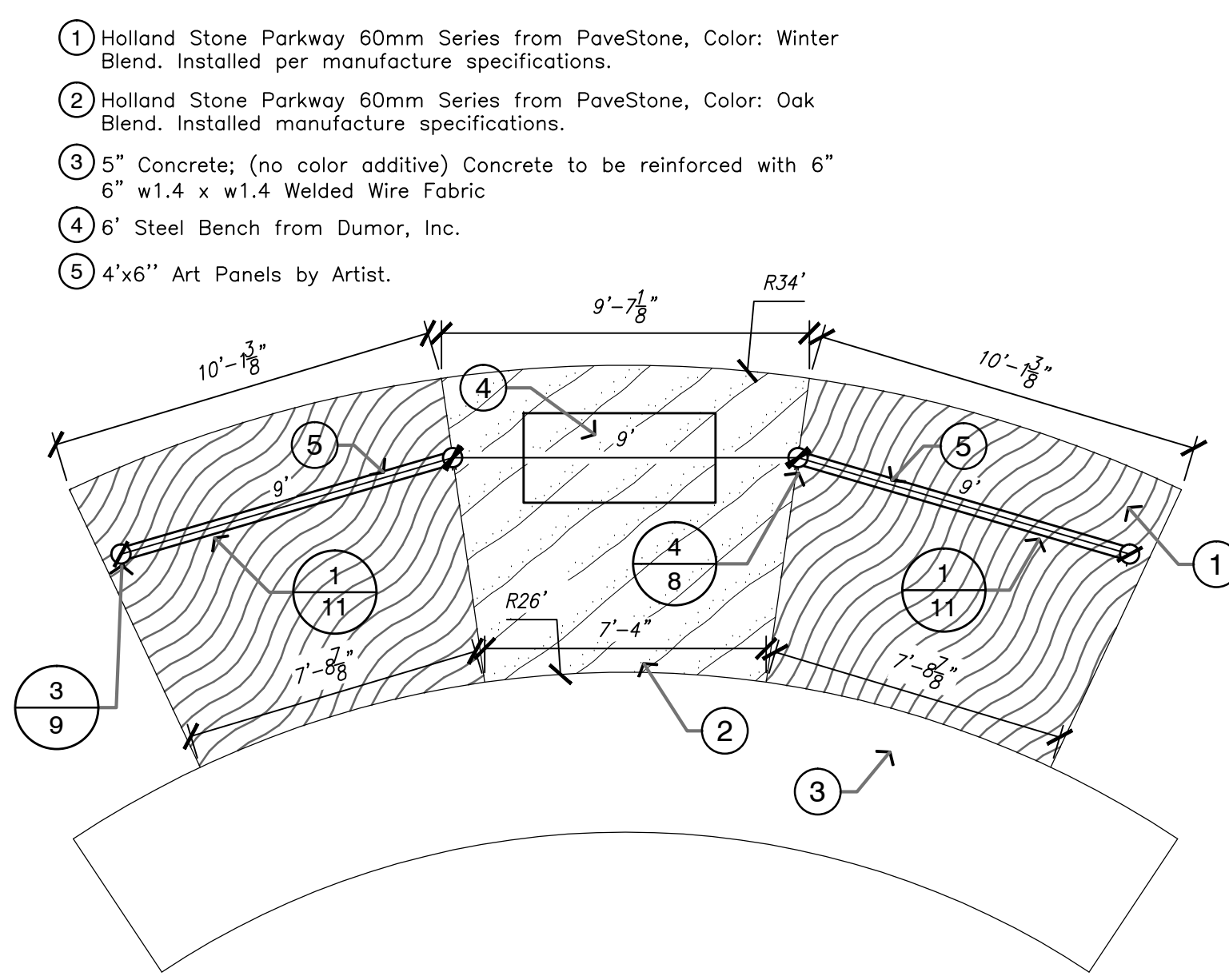
www.CADdetails.com



**3 SHADE STRUCTURE SECTION**

1/4" = 1'-0"

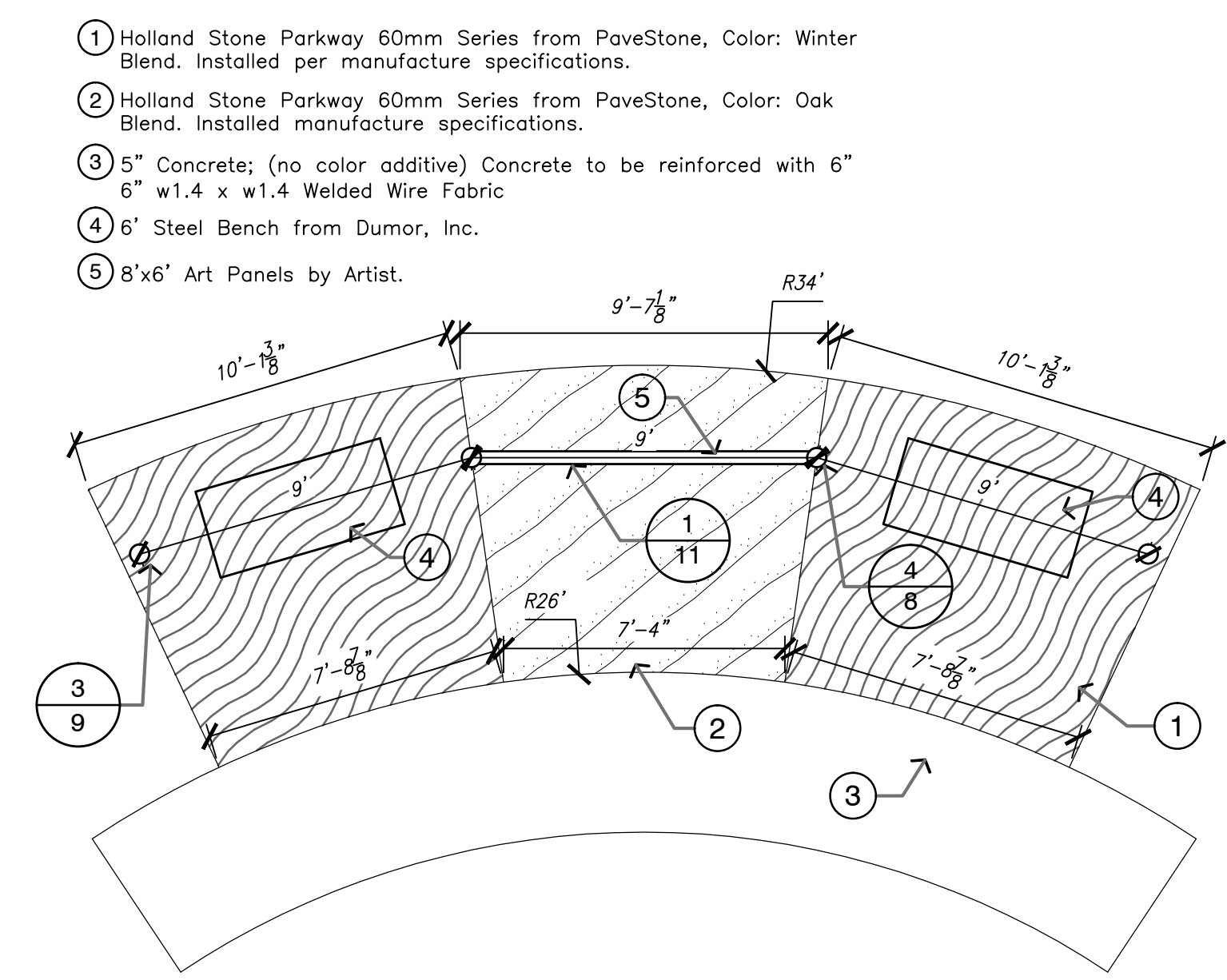
05-02



**4 COVERED SEATING AREA (HILLSIDE)**

1/4" = 1'-0"

0330-02



**5 COVERED SEATING AREA (17TH)**

1/4" = 1'-0"

0330-10