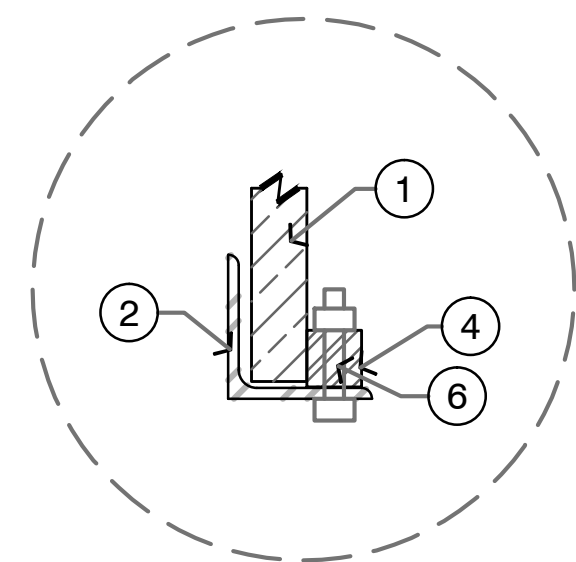


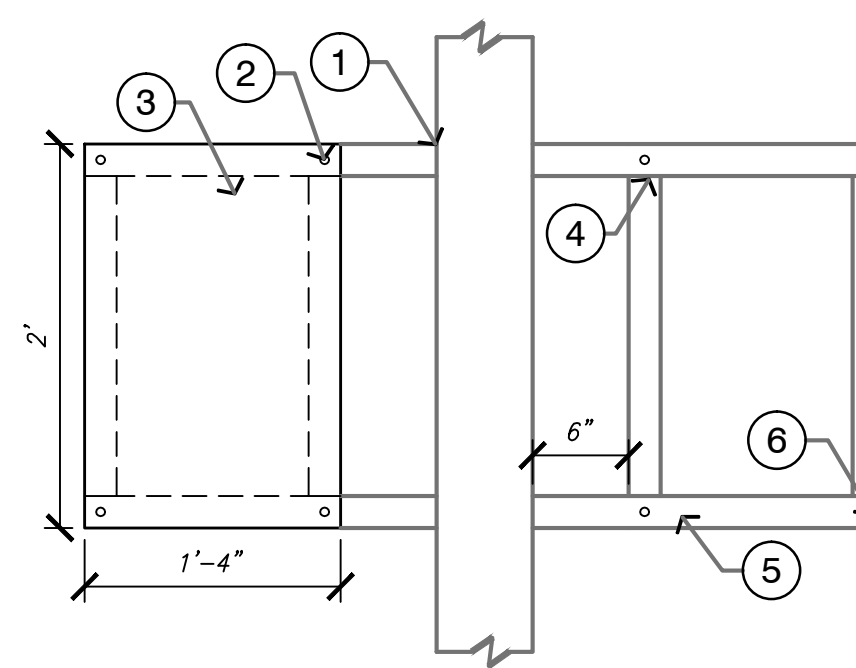
1 ART FRAME 1 & 2
1" = 1'-0"

- 1 Art Board from Artist, see Project Special Provision
- 2 1 1/2" Angle Iron frame.
- 3 Weld Vertical Steel to Horizontal Steel. Use "V" or "Double V" Welds. Grind front surface smooth.
- 4 Use Solid Steel Block for Backing strip. 8" length with (2) bolts per strip.
- 6 Attach Backing Strips with Bolts through Angle Iron

Note: Contractor to provide shop drawings prior to the start of construction.



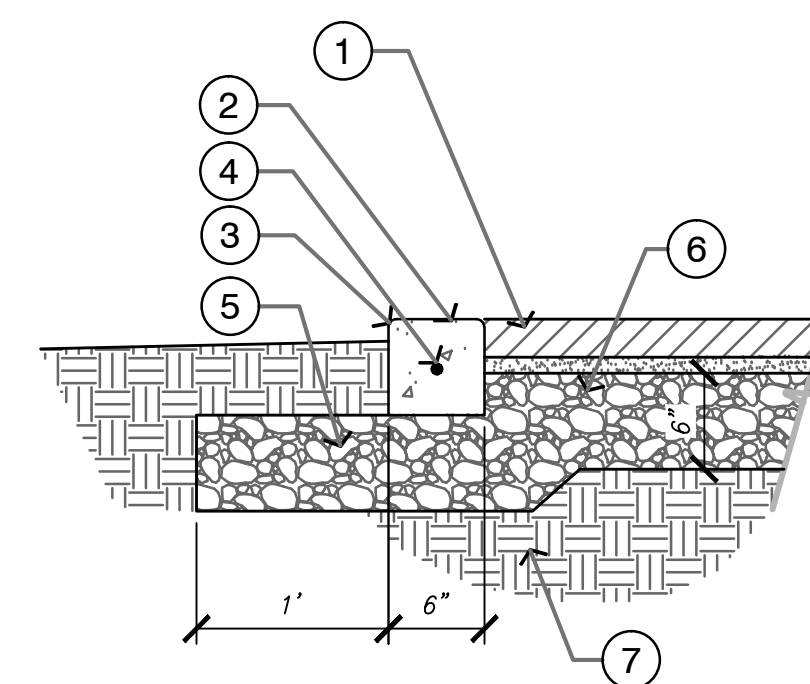
6" = 1'-0"



2 ART PLAQUE FRAMES
1" = 1'-0"

- 1 Weld or Bolt to Post of Steel Arch Structure
- 2 Drill holes for bolt and polyurethane spacer
- 3 16"x24" Art Plaque
- 4 Weld to be "V" or "Double V" and ground smooth to provide smooth mounting surface.
- 5 2" wide steel bar
- 6 Use Vandal Resistant 1/4" Bolt Hardware with Polyurethane spacer.

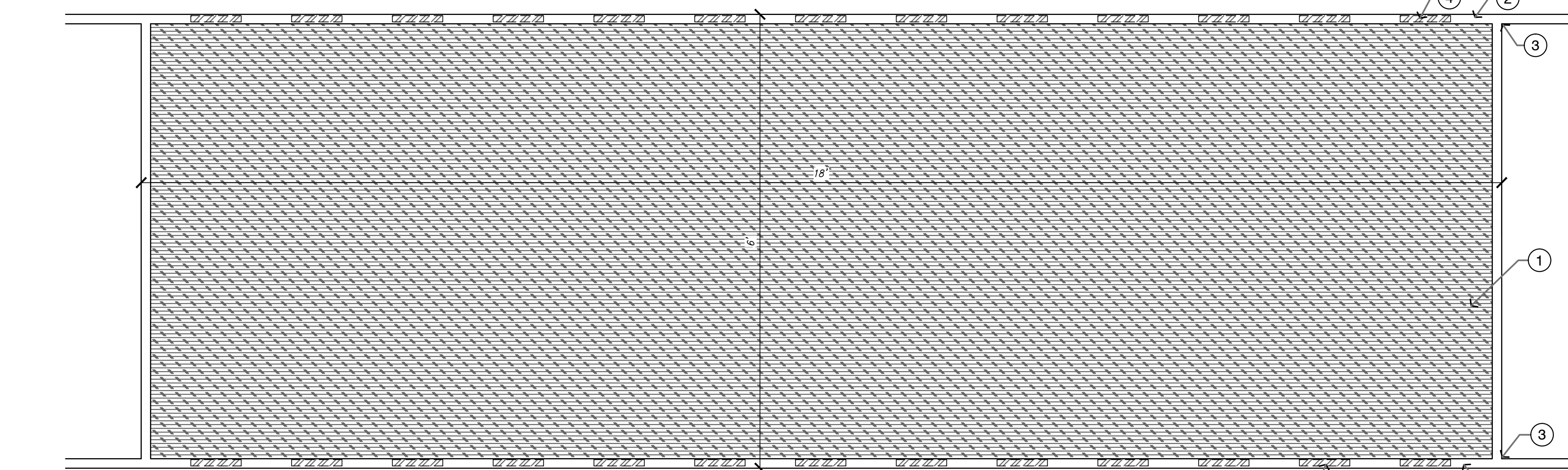
Note: Contractor to provide shop drawings prior to the start of construction.



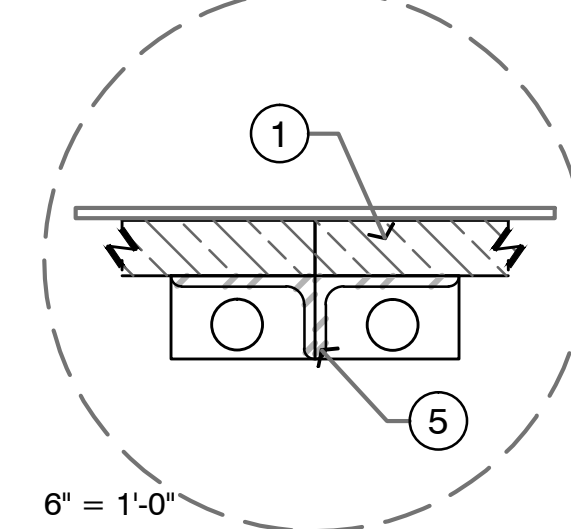
4 6" CONC. EDGE RESTRAINT FOR UNIT PAVERS
1" = 1'-0"

- 1 Unit Pavers over 1" Bedding Sand
- 2 6" Thick Concrete Band
- 3 Tooled Edge All Sides
- 4 #3 Rebar Continuous, Centered in Concrete
- 5 Extend Crushed Rock 1' beyond Concrete Edge
- 6 6" Compacted Crushed Rock
- 7 Compacted Sub-Grade

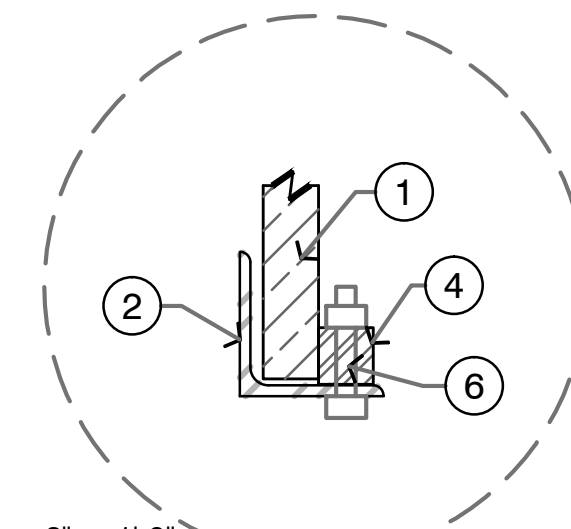
321413.07-01



3 ART FRAME 3
1" = 1'-0"



6" = 1'-0"



6" = 1'-0"

- 1 Art Board from Artist, see Project Special Provision
- 2 1 1/2" Angle Iron frame.
- 3 Weld Vertical Steel to Horizontal Steel. Use "V" or "Double V" Welds. Grind front surface smooth.
- 4 Use Solid Steel Block for Backing strips. 8" length with (2) bolts per strip.
- 5 Art Board Seam Support, Weld (2) angle iron or (1) "T" Iron to Backing Strips as needed.
- 6 Attache Backing Strips with Bolts through Angle Iron

Note: Contractor to provide shop drawings prior to the start of construction.

05-05