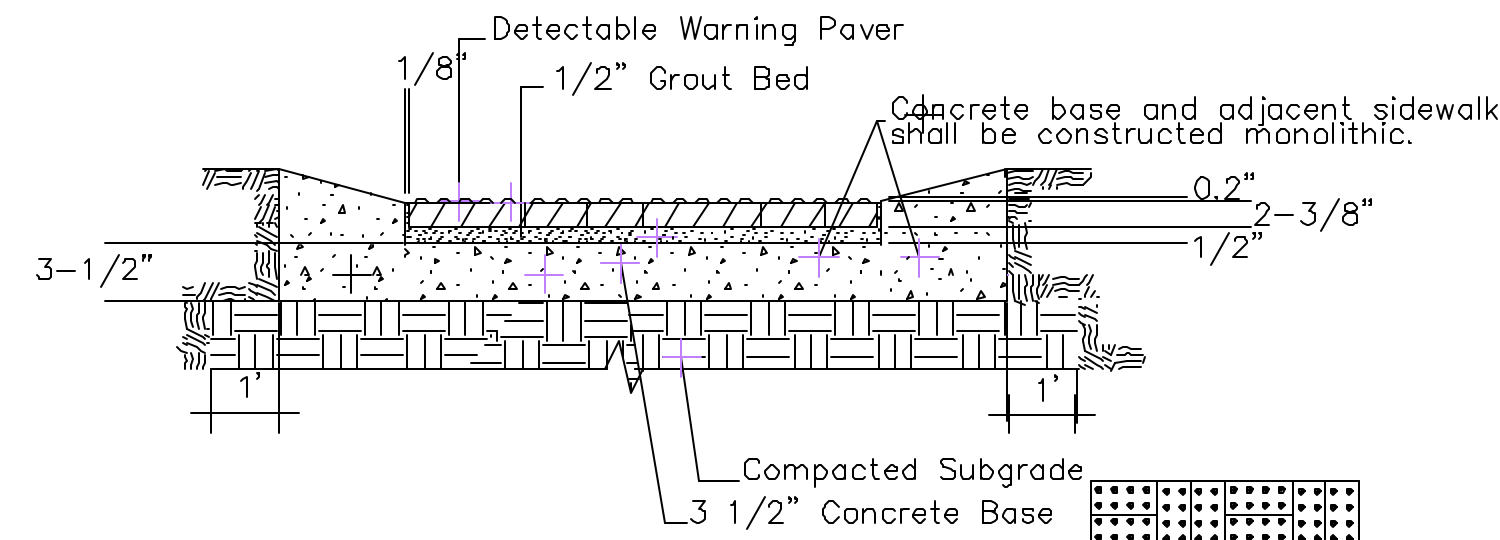
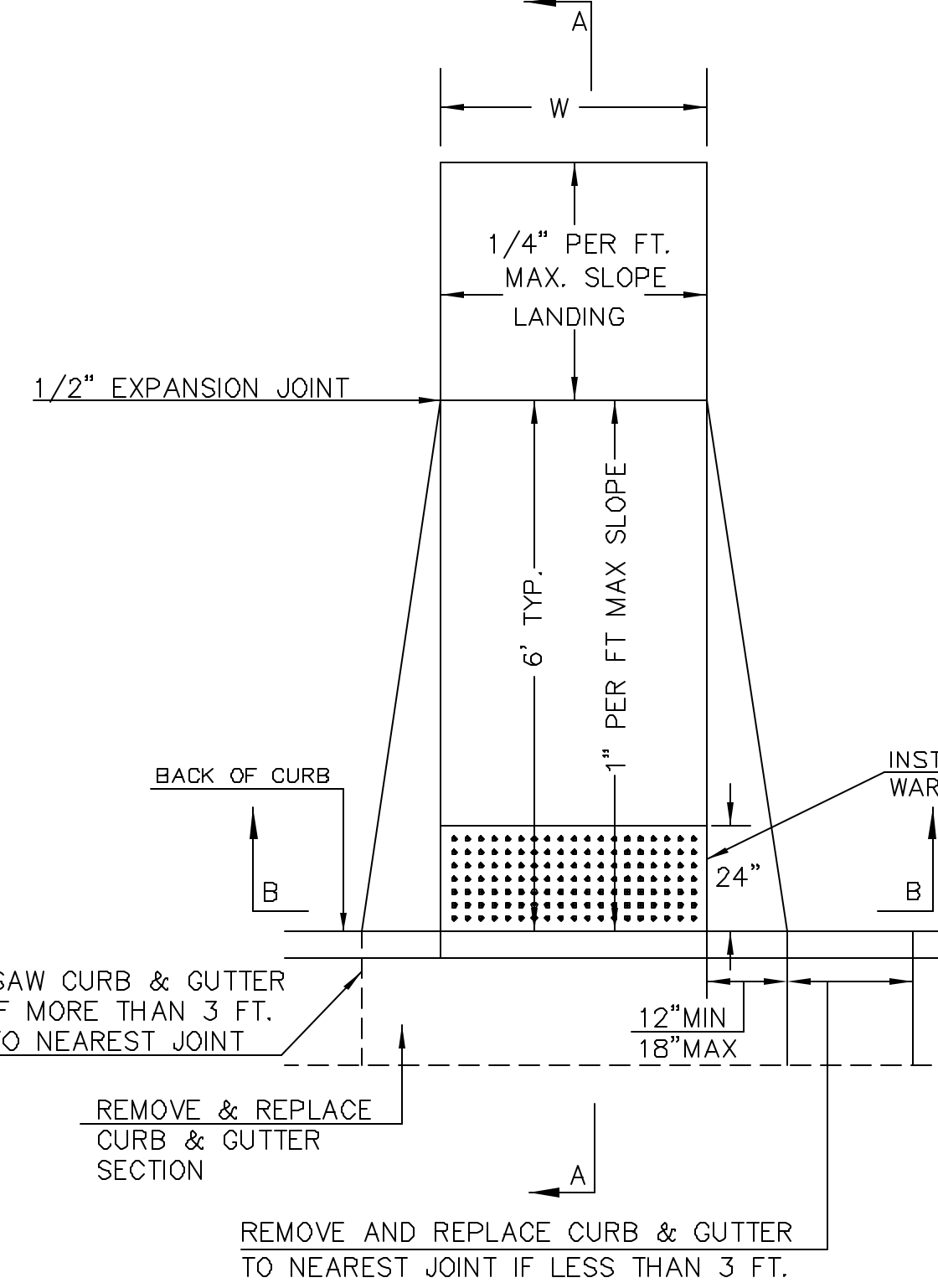


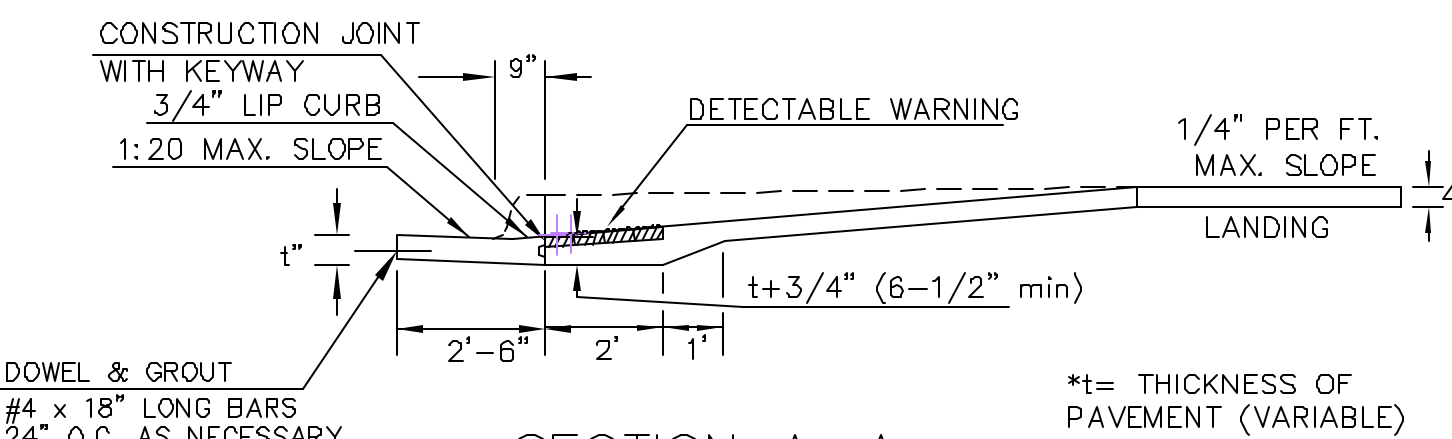
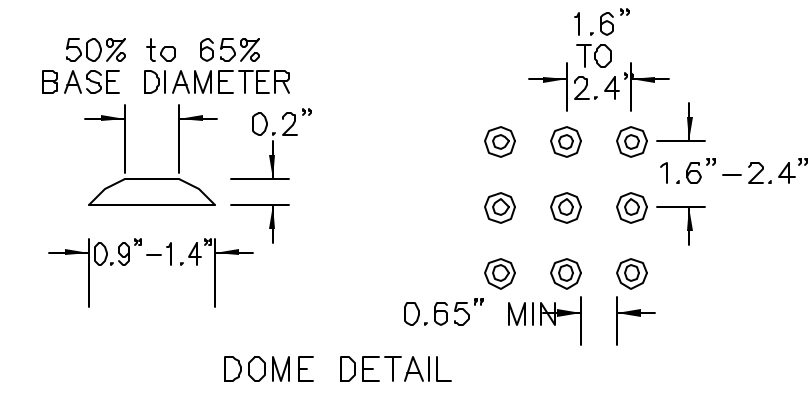
(TYPE A)
STANDARD WHEELCHAIR RAMP
WITH DETECTABLE WARNING
CONSTRUCTION DETAIL FOR STREETS
WITH COMBINED CURB & GUTTER

W= 4'0" FOR STANDARD RAMP
W= 5'0" FOR RAMPS AT SCHOOL CROSSWALKS
(OR TO MATCH EXISTING)



TYPICAL SECTION DETECTABLE WARNING PAVER
NOTE: RAMPS TO COMPLY WITH LATEST ADAAG GUIDELINES. PAVESTONE DETECTABLE WARNING PAVERS (OR AN APPROVED EQUAL) SHALL BE USED IN ALL WHEELCHAIR RAMPS. THE RED PAVER SHALL BE INSTALLED USING A BASKET WEAVE/PARQUET PATTERN. OTHER PATTERNS MAY BE USED WITH APPROVAL OF ENGINEER. SAND FILL JOINTS. ALIGN DOMES IN THE DIRECTION OF PEDESTRIAN TRAVEL.

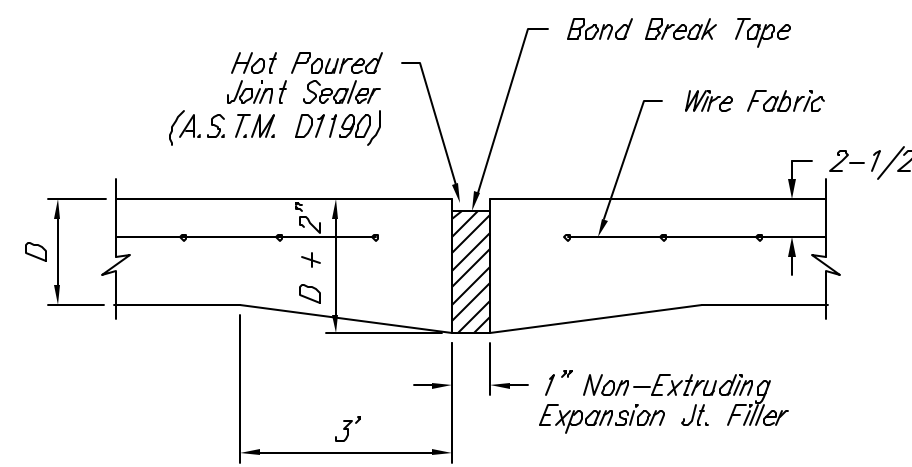
SECTION B-B



SECTION A-A

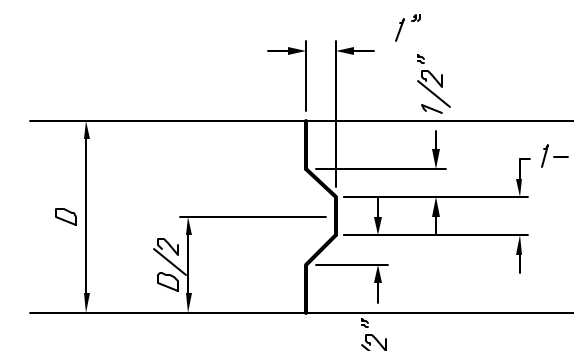
*t= THICKNESS OF PAVEMENT (VARIABLE)

AUGUST 4, 2003

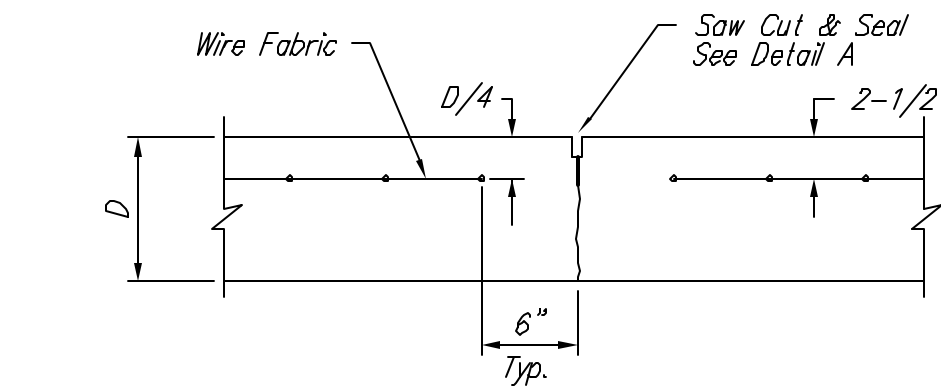


EXPANSION JOINT

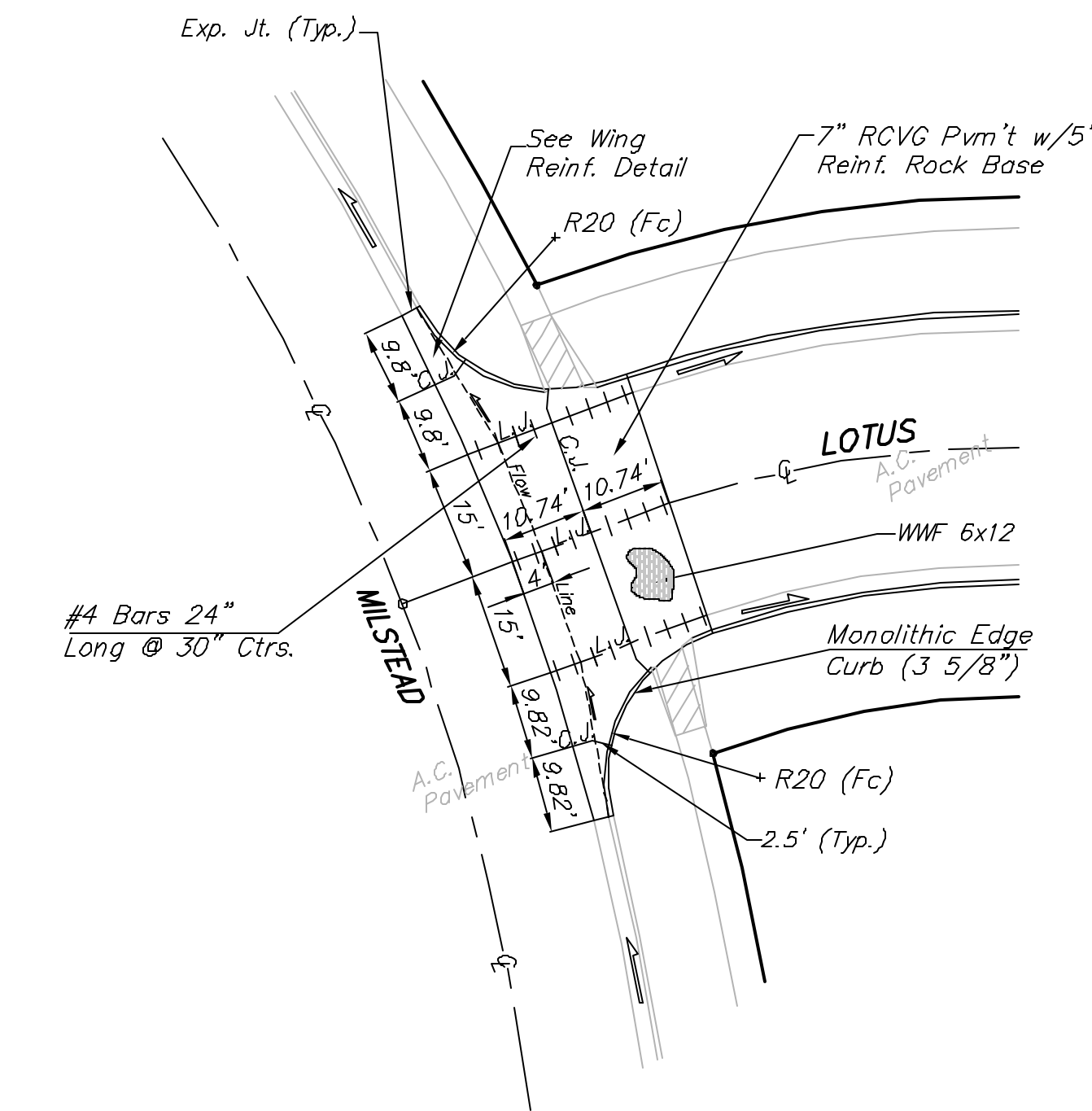
NOTE: Extra Thickness to be Subsidiary to Price of Square Yards Pavement



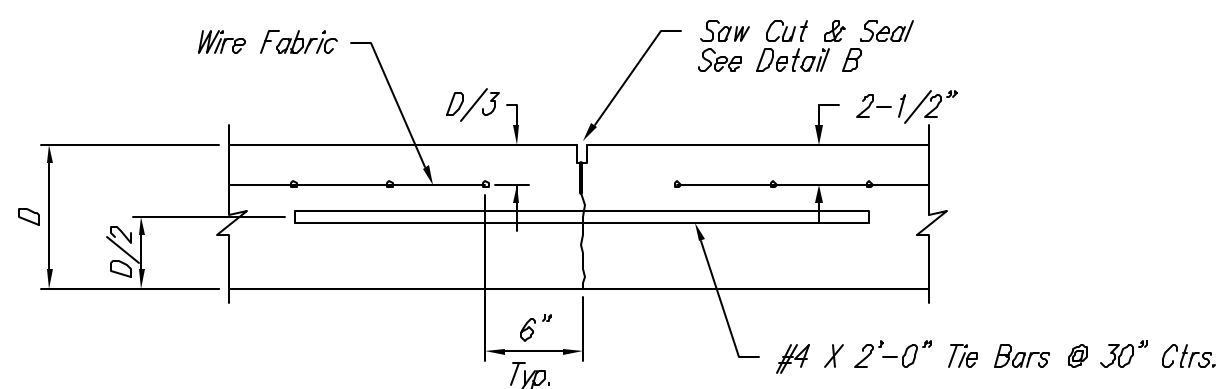
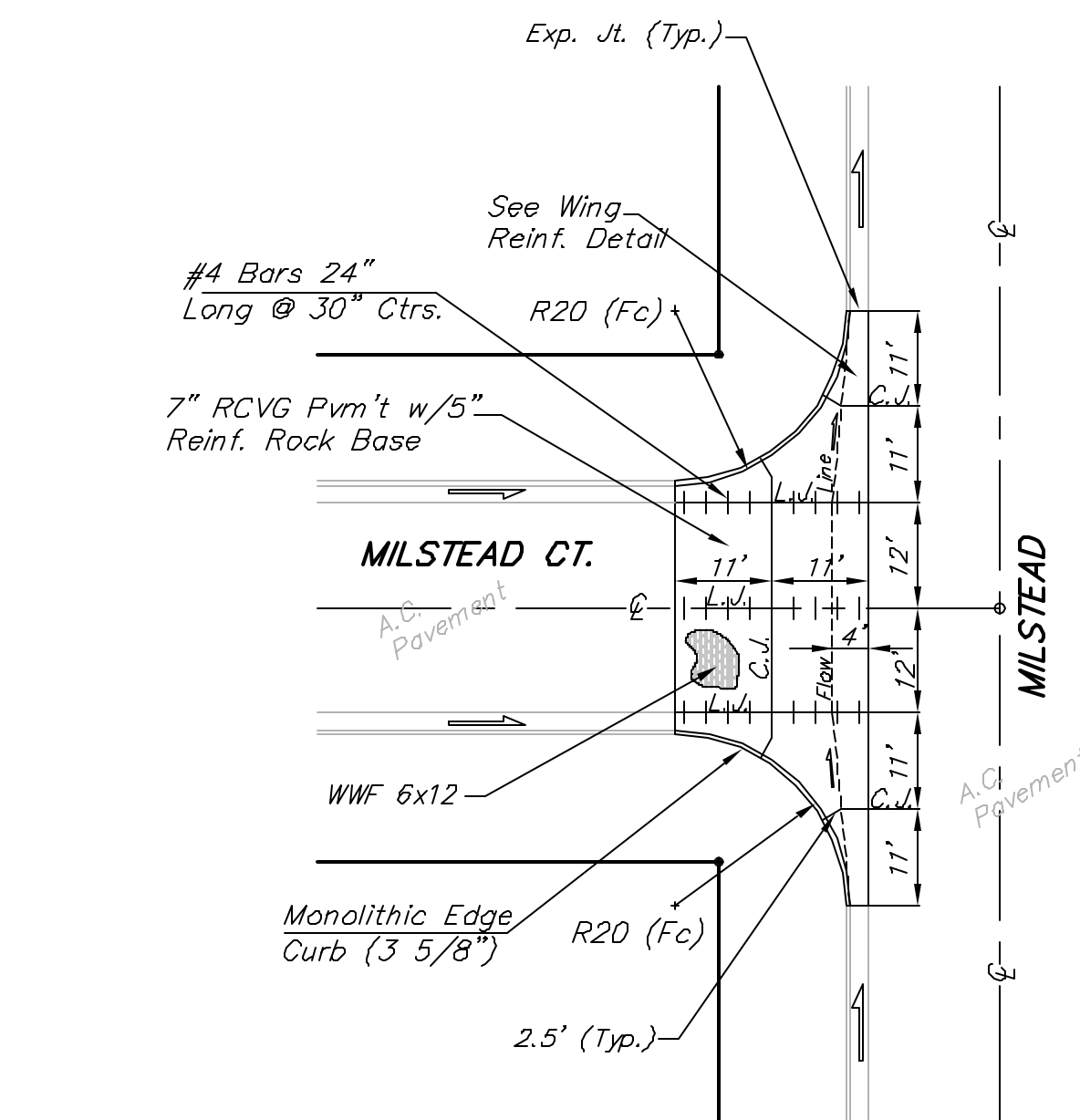
KEYWAY DETAIL



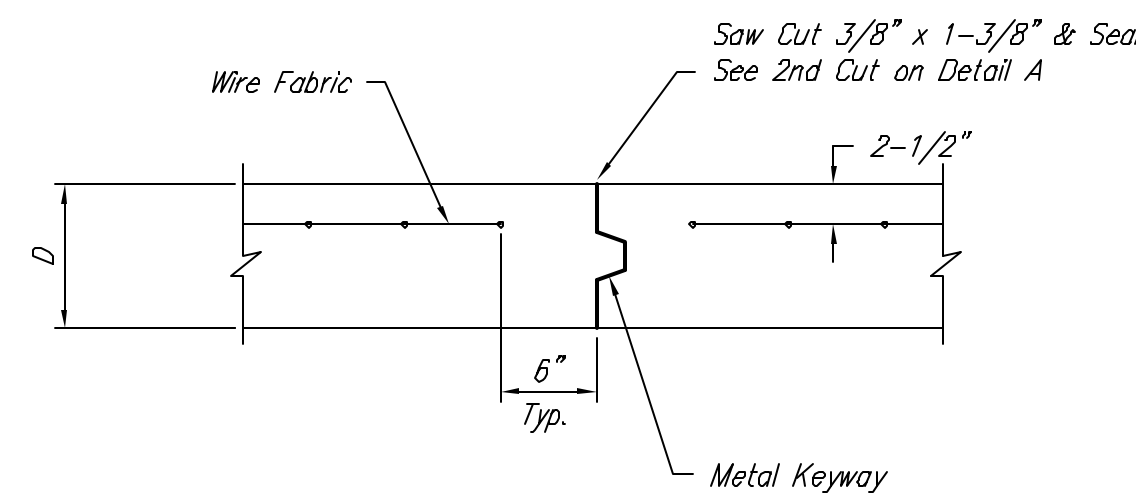
CONTRACTION JOINT DETAIL (C.J.)



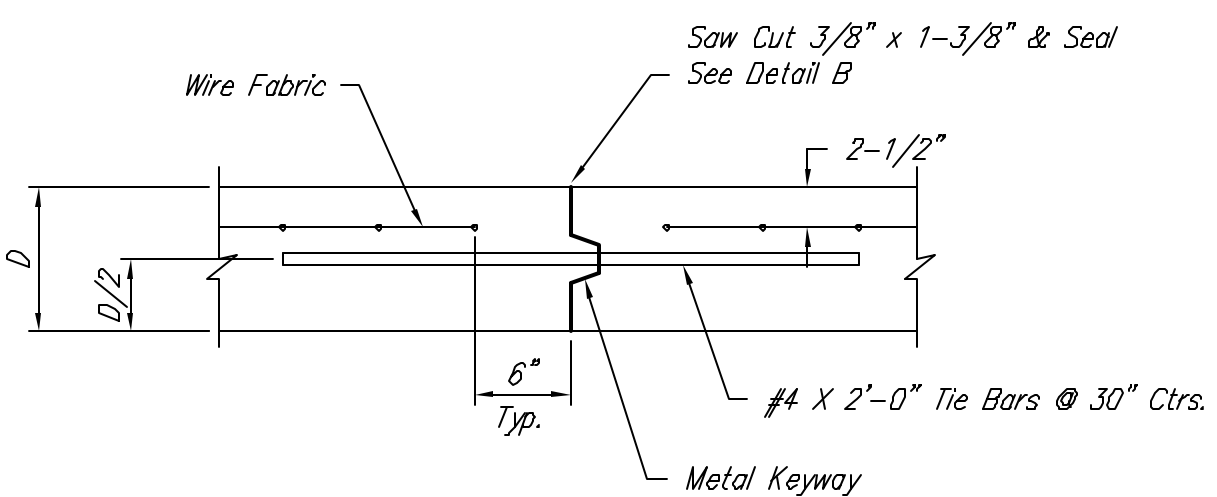
Scale: 1" = 20' Horizontal
1" = 5' Vertical
• = Iron



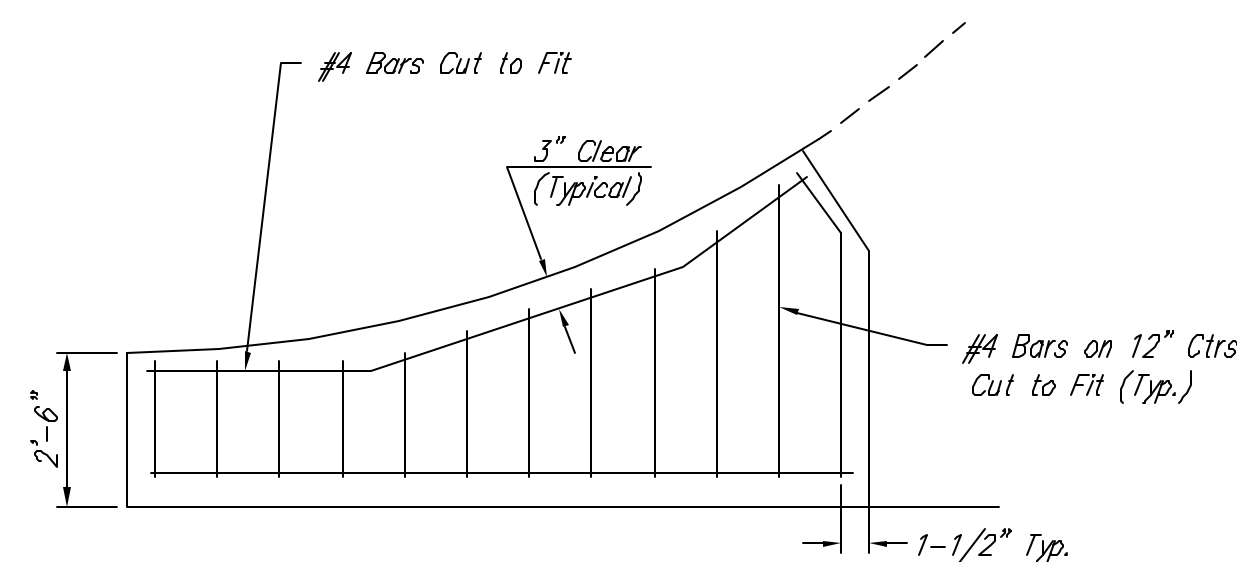
LONGITUDINAL JOINT DETAIL (L.J.)



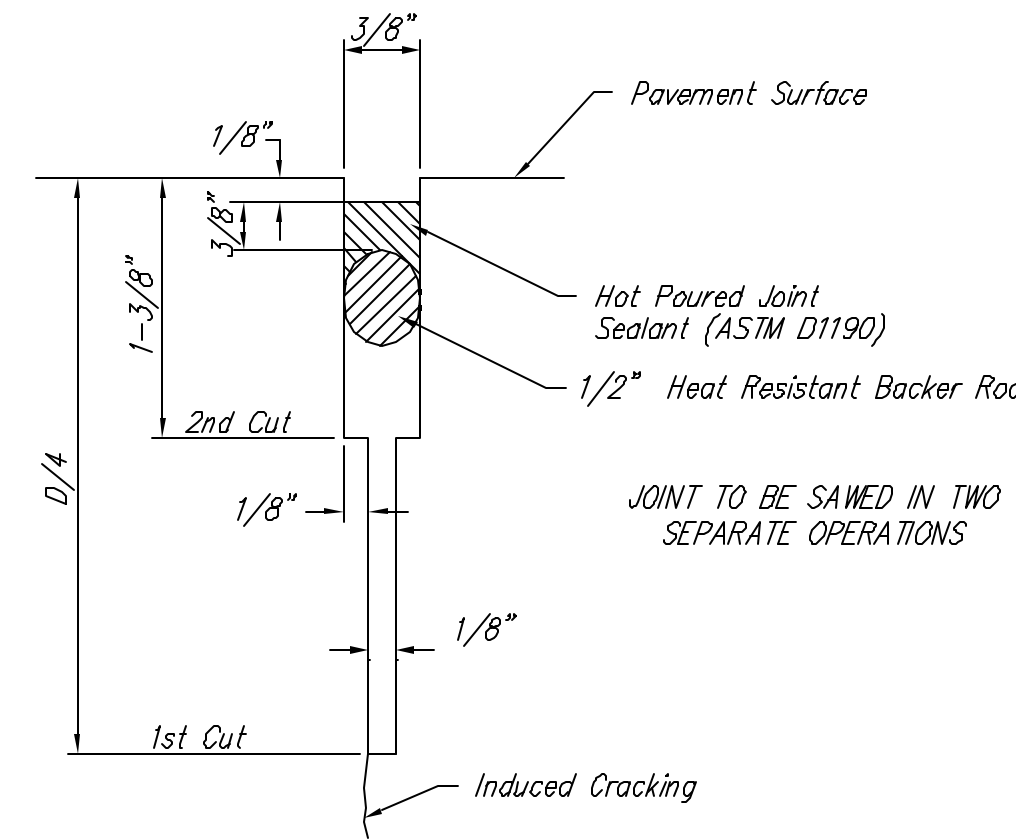
OPTIONAL CONTRACTION JOINT
(CONSTRUCTION JOINT)



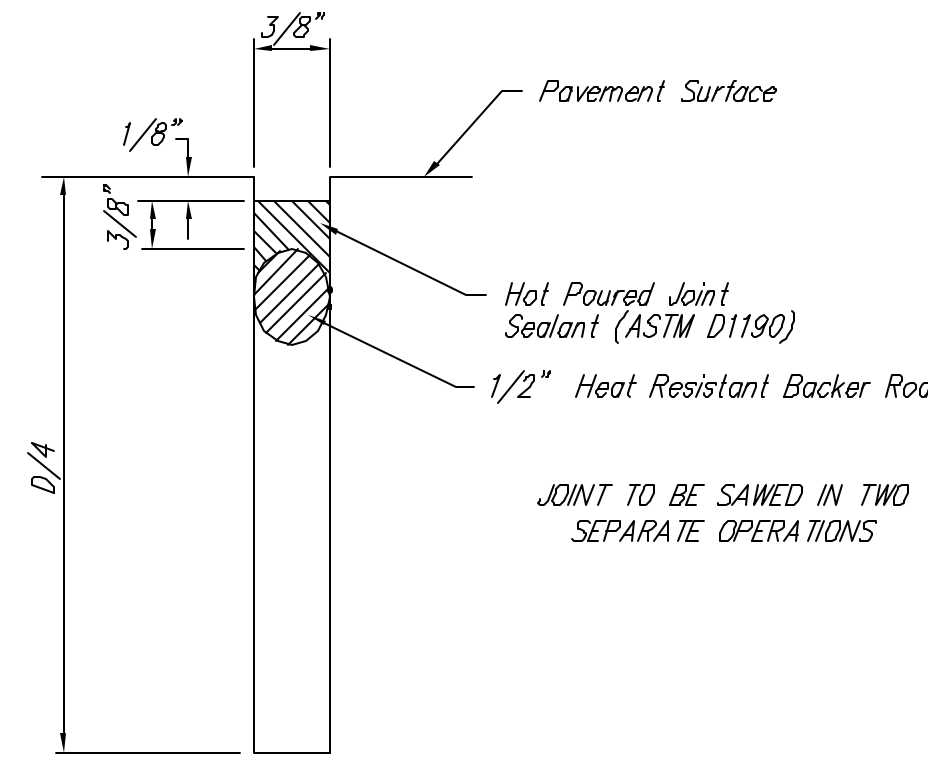
OPTIONAL LONGITUDINAL JOINT DETAIL (L.J.)
(CONSTRUCTION JOINT)



WING REINFORCING DETAIL



SAW JOINT DETAIL "A"



SAW JOINT DETAIL "B"

NOTE: 6" X 12" W4XW4 Wire Fabric Reinforcing Shall Be Placed So That The Wires With The 6" Spacing Will Run Parallel With The Longitudinal Joints.

FLAT CREEK ADDITION - PHASE 3
MISCELLANEOUS DETAILS
CITY OF WICHITA, KS

BAUGHMAN COMPANY P.A.
ENGINEERING, SURVEYING, & PLANNING
316-262-7271 • 315 ELLIS • WICHITA, KANSAS 67211

PROJECT NUMBER
472-83385

DESIGN STAFF DRAWN STAFF APPROVED DATE 10/03 SCALE NOTED

SHEET
OF
5
OF
44