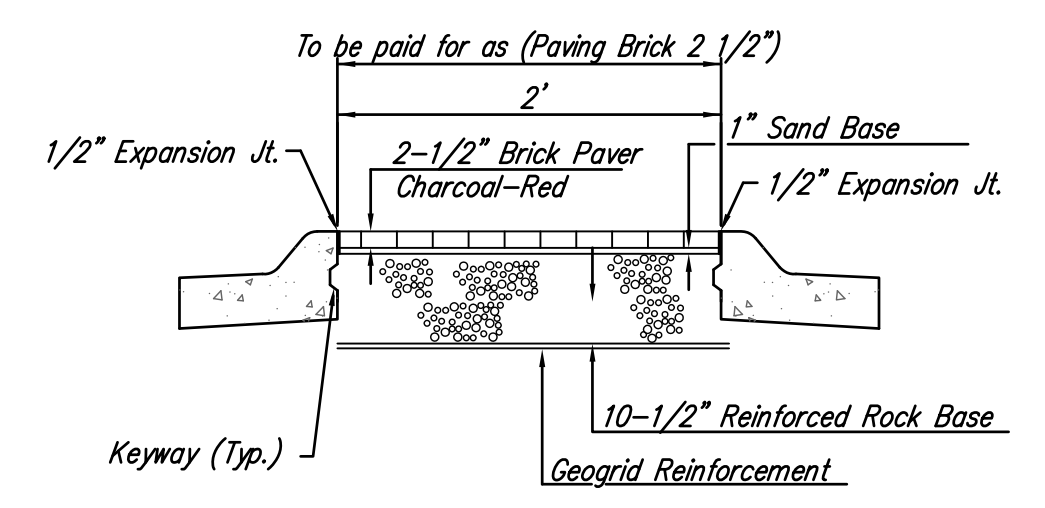
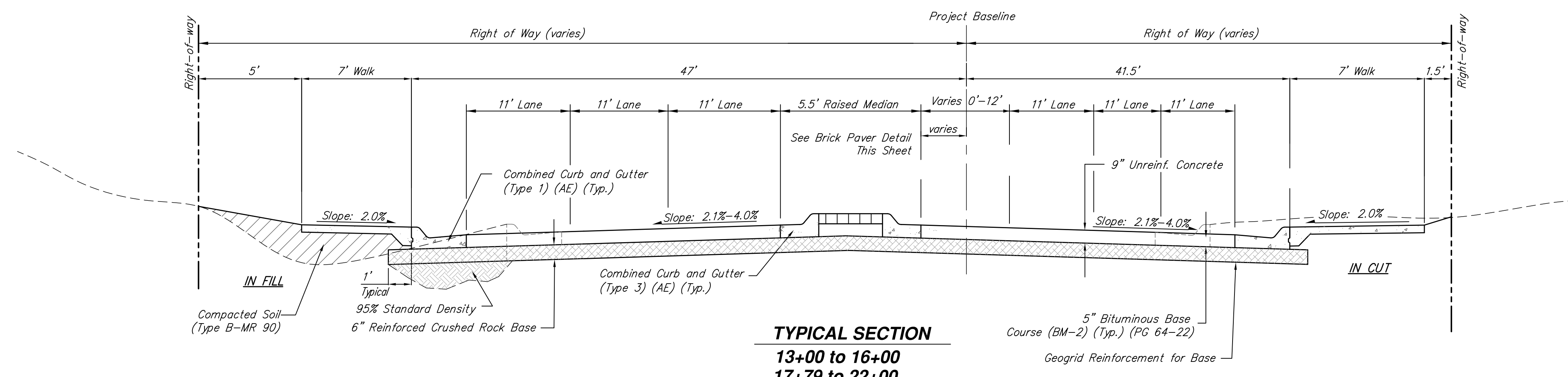


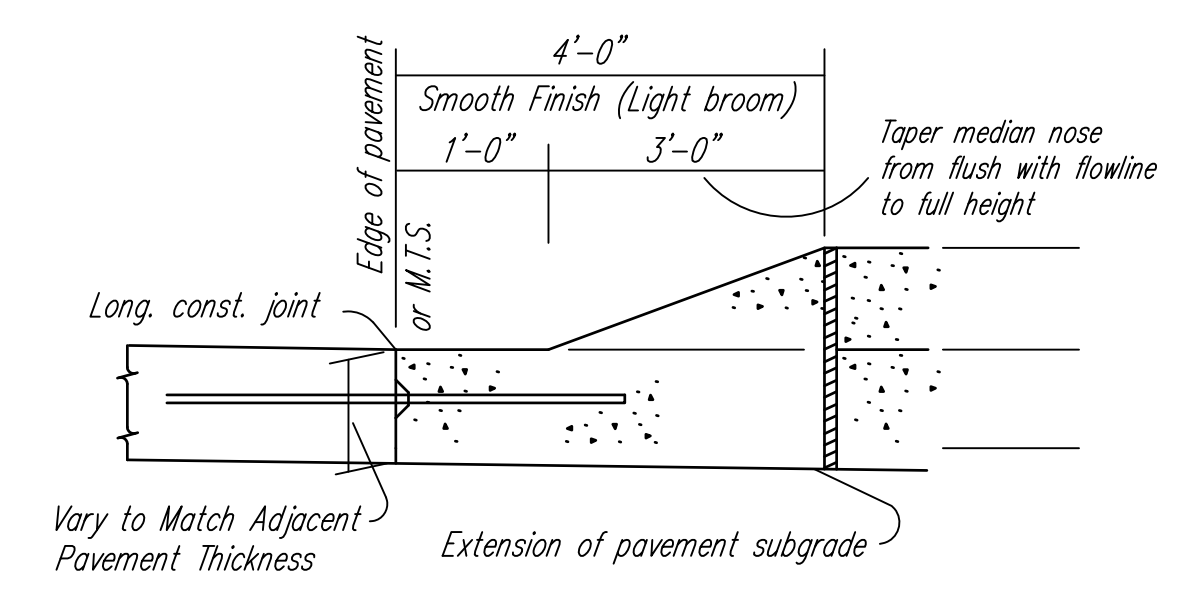
**TYPICAL SECTION**  
**16+00 to 17+79**  
**22+00 to 27+75**



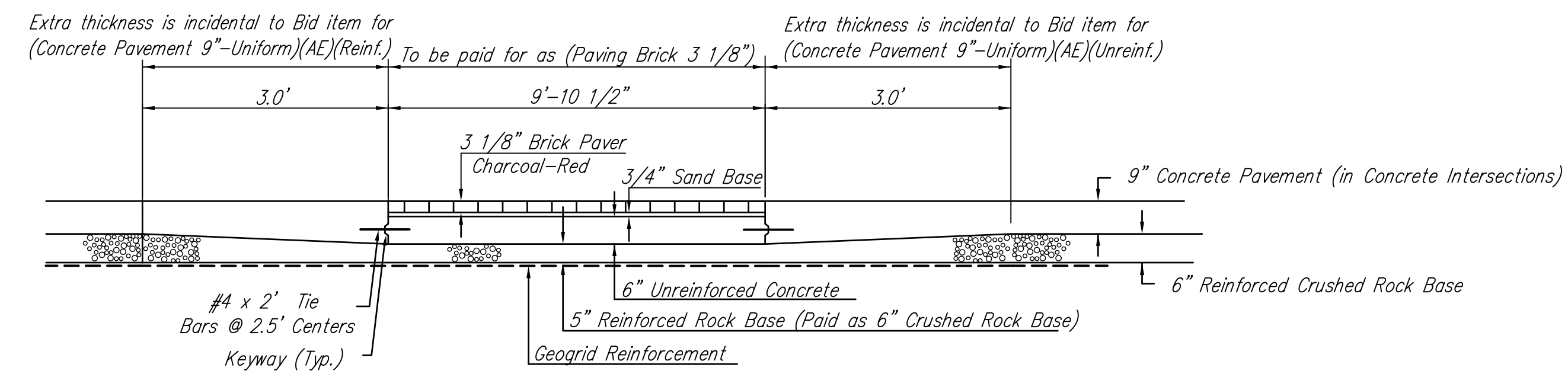
To be paid for as (Paving Brick 2 1/2")  
 2'  
 2-1/2" Paving Brick Charcoal-Red  
 1" Sand Base  
 10-1/2" Reinforced Rock Base  
 Geogrid Reinforcement  
 Keyway (Typ.)  
 1/2" Expansion Jt.  
 1/2" Expansion Jt.  
 NOTES: Construction of the interlocking precast concrete paving stones shall conform to special provision 90P-3956.  
 Extra thickness for Reinforced Crushed Rock Base shall be subsidiary to the bid item for (Paving Brick 2 1/2")  
**SECTION D-D**



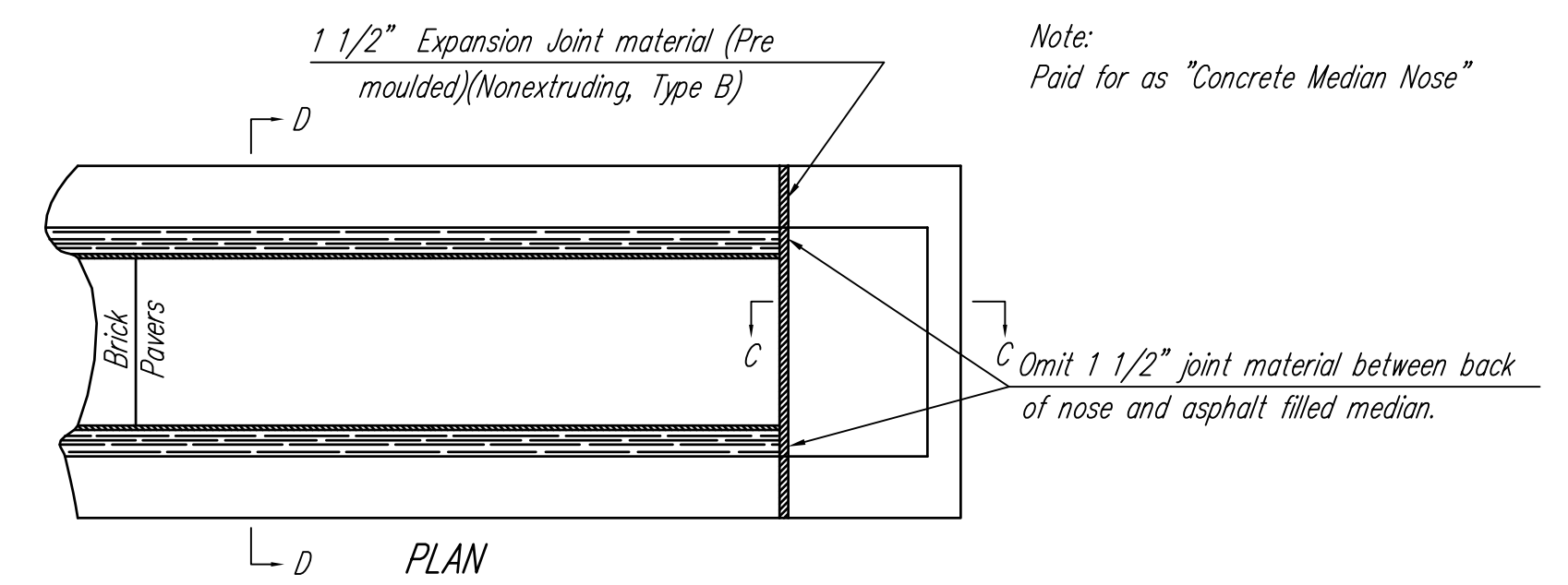
**TYPICAL SECTION**  
**13+00 to 16+00**  
**17+79 to 22+00**



**DRIVABLE MEDIAN NOSE - TYPE III**  
**SECTION C-C**

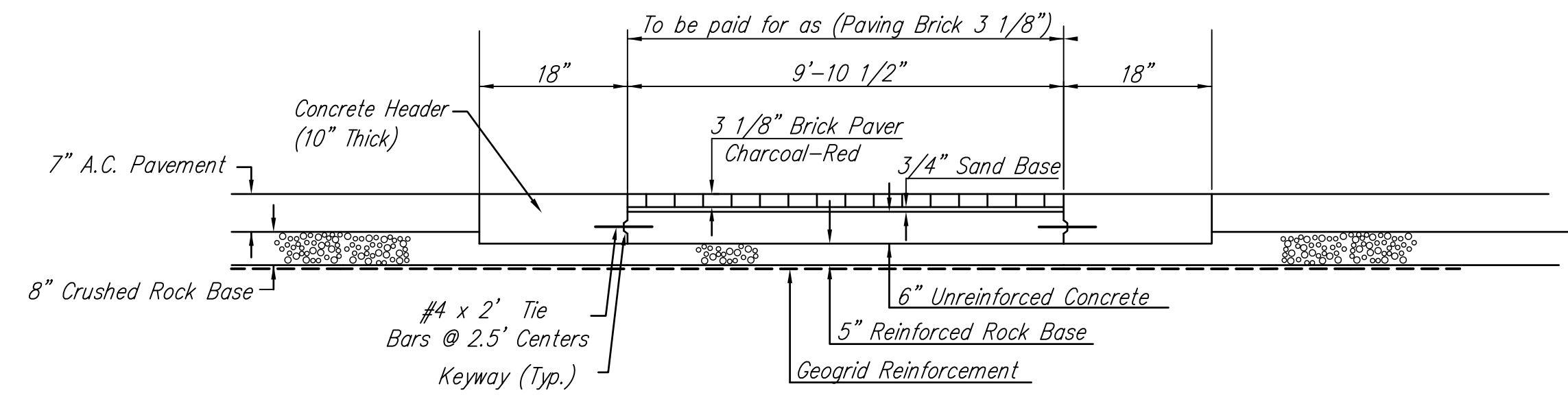


**CROSSWALK BRICK PAVER DETAIL (CONCRETE INTERSECTION)**



Note: Expansion joints shall be placed in concrete median as follows: In long runs expansion joints shall be 1/2" expansion joint material (Nonextruding, Type B) flush with the surface. Expansion joints in the median shall match expansion joints in the curb and gutter with a maximum spacing of 100 feet. Plane of weakness in median shall match plane of weakness in curb & gutter.

**TYPICAL NOSE DETAILS FOR RAISED MEDIANS**



**CROSSWALK BRICK PAVER DETAIL (AC PAVEMENT AREAS)**

NOTE: Construction of the interlocking precast concrete paving stones shall conform to special provision 90P-3956.

<b>AMIDON - 21ST TO 29TH PAVING IMPROVEMENTS</b>			
<b>TYPICAL SECTIONS</b>			
<b>WICHITA, KANSAS</b>			
	<b>RUGGLES &amp; BOHM</b>		DATE Oct. 21, 2014
	ENGINEERING   SURVEYING   LANDSCAPE ARCHITECTURE   GOVERNMENT 924 NORTH MAIN WICHITA, KANSAS 67208 P (316) 264-8008 F (316) 264-4621 WWW.RBKANSAS.COM		DESIGN KWL
PROJECT NUMBER	RB JOB NO.	DWG. SCALE	DRAWN KWL
DRAWING FILE			REVIEW
			<b>3</b>
			OF 133