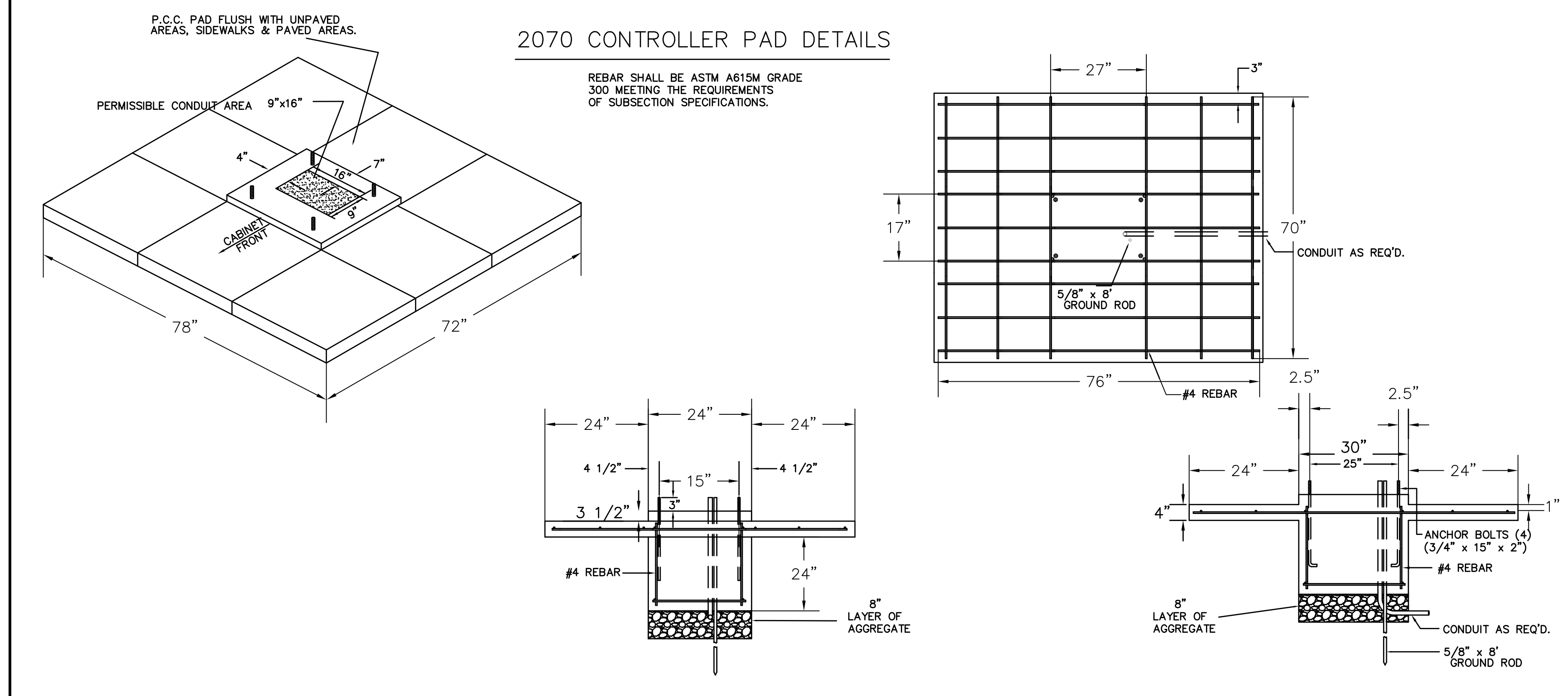
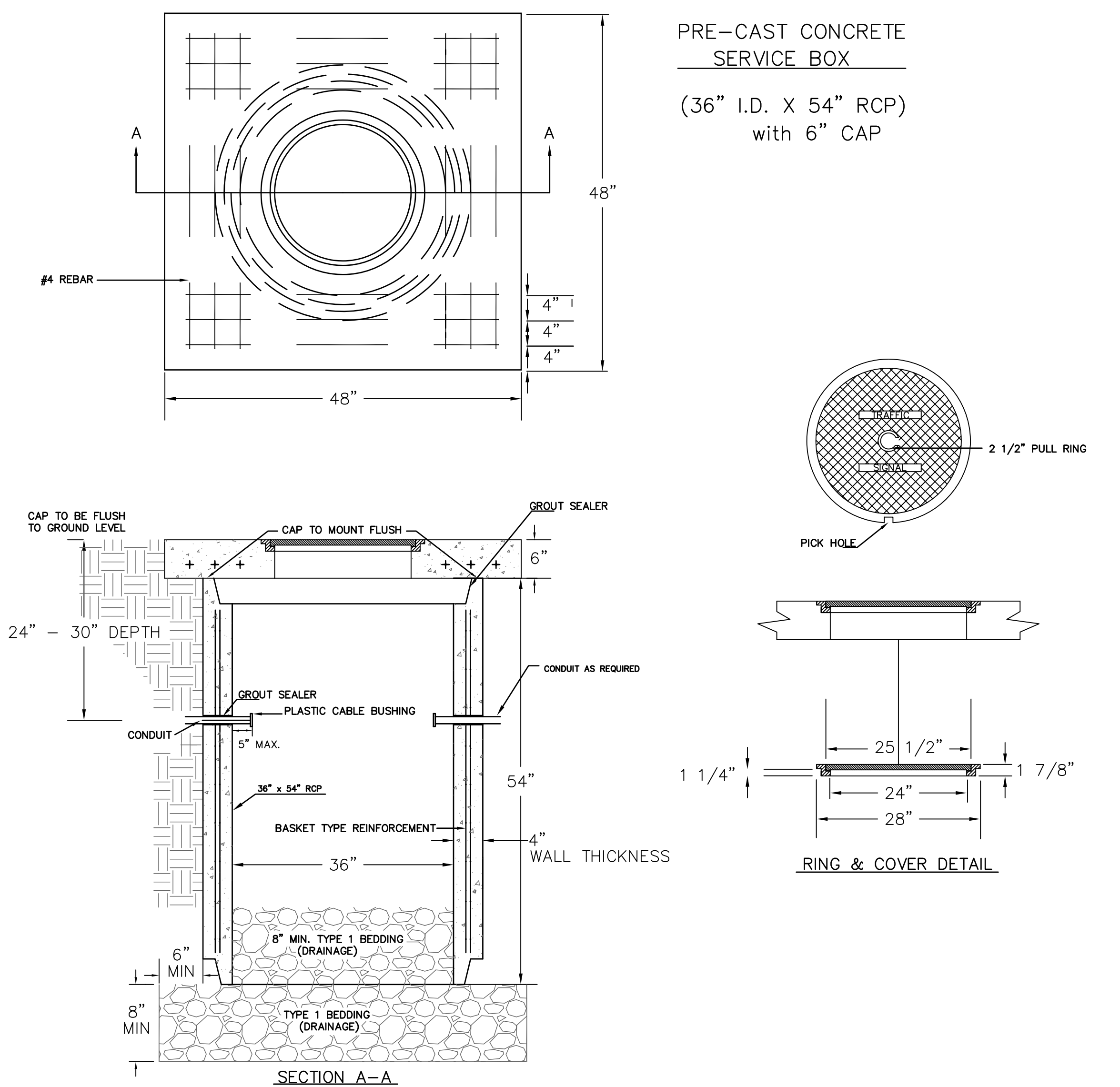
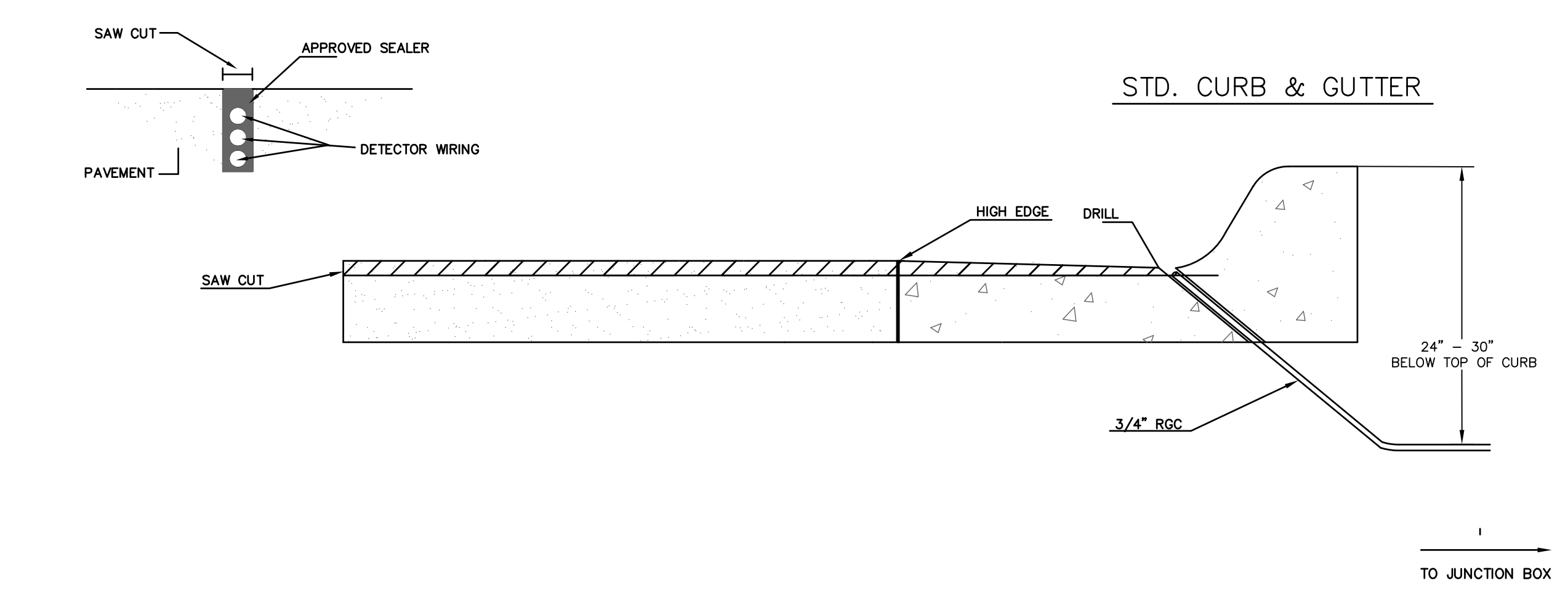


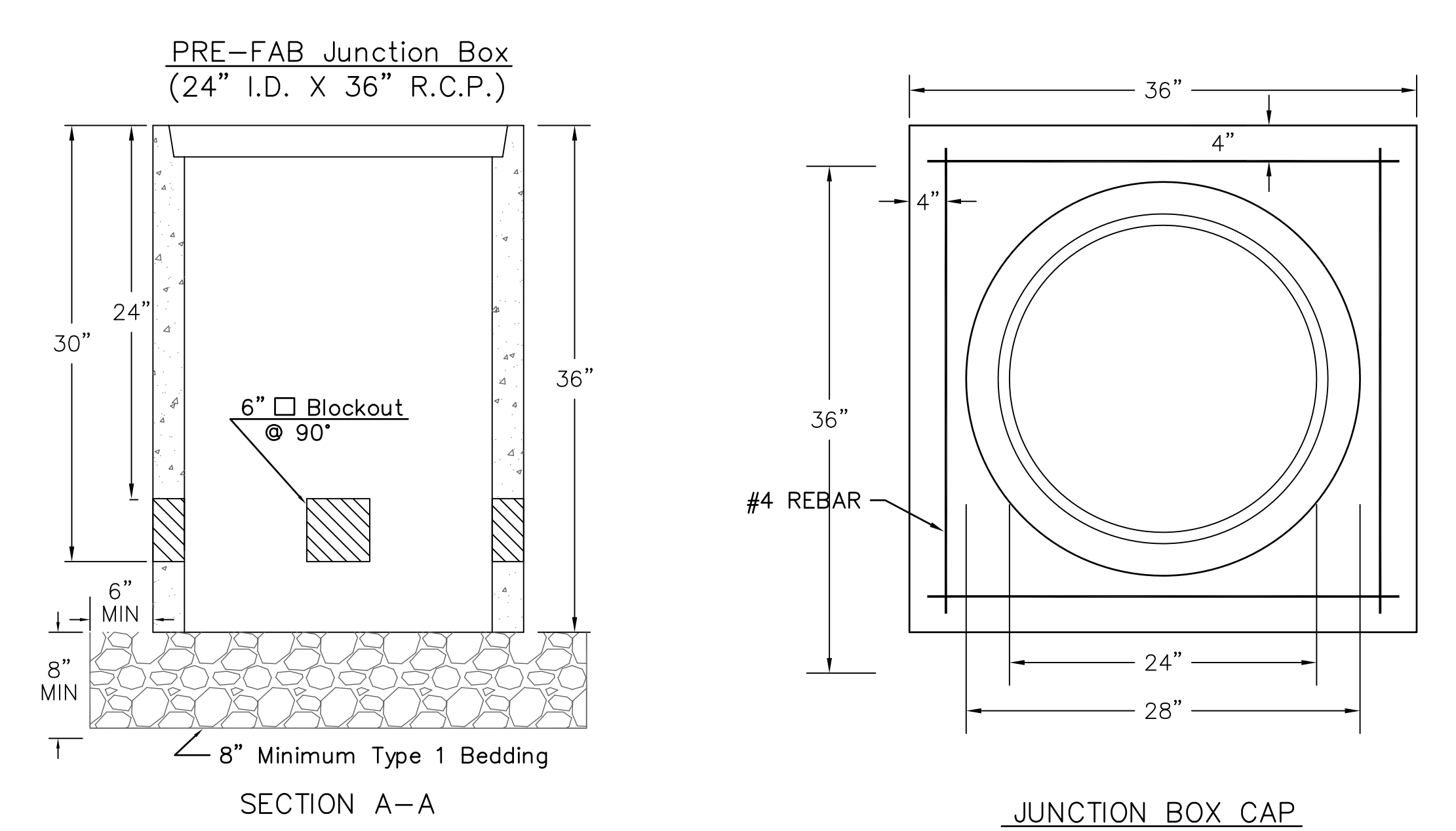
# SERVICE BOX CONSTRUCTION/INSTALLATION DETAILS



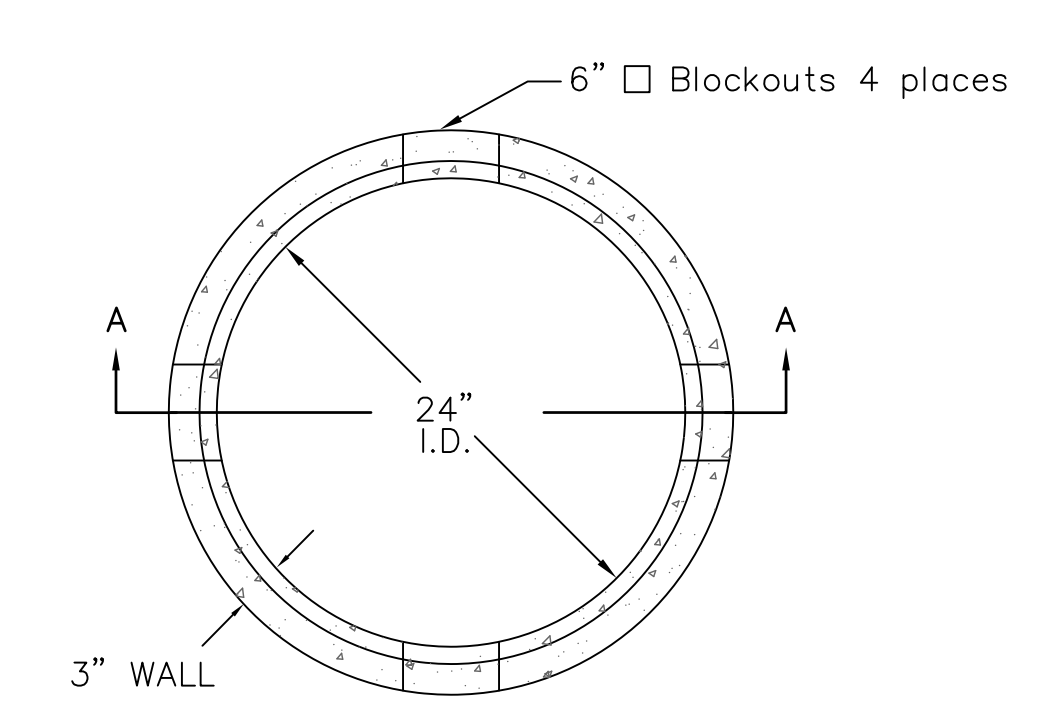
# CONDUIT/DETECTOR WIRE INSTALLATION DETAILS



# JUNCTION BOX DETAILS



- NOTES:**
- SERVICE & JUNCTION BOX:
- CONDUIT CONNECTION TO BE FLUSH TO WITHIN 5" OF INSIDE FACE OF SIDE WALL, CONDUIT TO DRAIN INTO SERVICE BOX.
  - CONDUIT CONNECTIONS TO SERVICE BOX SHALL BE TERMINATED WITH PLASTIC CABLE BUSHING.
  - CONDUIT SHALL BE SEALED WITH APPROVED SEALER AT INSIDE WALL FACE.
  - ALL SERVICE & JUNCTION BOXES TO HAVE 8" OF CRUSHED ROCK.  
No 90 degree elbows unless approved by Traffic Maintenance
- TRENCHING:
- DEPTH TO BE 30" MINIMUM WITH ROCK & STUBBLE FREE BACKFILL TO SERVE AS BEDDING MATERIAL. MAINTAIN MINIMUM CONDUIT DEPTH IN TRENCH.
  - BACKFILL TO BE COMPACTED IN 6" LOOSE LIFTS BY HAND OR MECHANICAL TAMPING TO A 95% STANDARD DENSITY.
- CONDUIT:
- SLOPE CONDUIT TO DRAIN AS DIRECTED BY THE ENGINEER.
  - 3" RIGID STEEL CONDUIT BTWN. SERVICE BOXES.  
2" " " BTWN. SERVICE BOX AND POLE.  
1 1/4" " " BTWN. SERVICE & JUNCTION BOXES.  
3/4" " " BTWN. JUNCTION BOXES.  
3/4" " " BTWN. JUNCTION BOX & DETECTOR LOOP SAW CUT.  
No 90 degree elbows unless approved by Traffic Maintenance



\*\* SEE SERVICE BOX INSTALLATION FOR RING & COVER DETAILS.

REVISED AUGUST 2014

<p><b>CITY OF WICHITA</b> PUBLIC WORKS &amp; UTILITIES ENGINEERING DIVISION</p>	<b>SERVICE/JUNCTION BOX, CONTROLLER PAD CONSTRUCTION/INSTALLATION</b>	
	TRAFFIC ENGINEER <b>BRIAN COON, P.E.</b>	
	PROJECT NUMBER 472-84914	OCA NUMBER 707023
CITY ENGINEER'S OFFICE CITY HALL - SEVENTH FLOOR 455 NORTH MAIN STREET WICHITA, KANSAS 67202-1620 (316) 268-4501		SHEET <b>74</b> OF 133