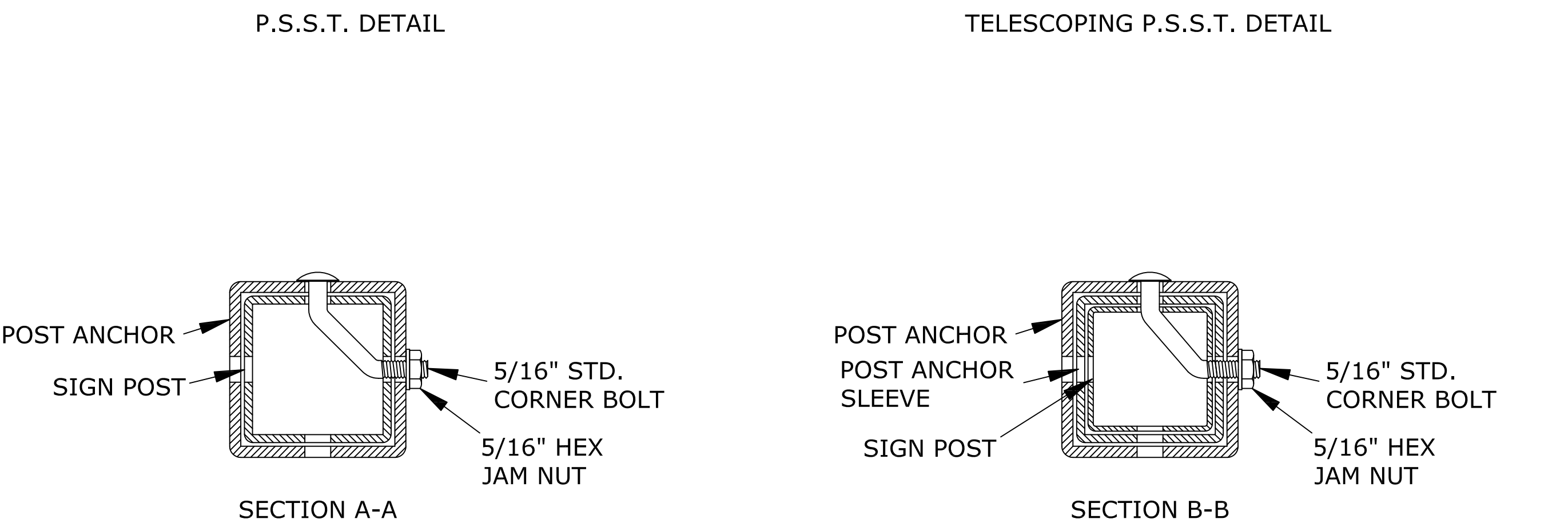
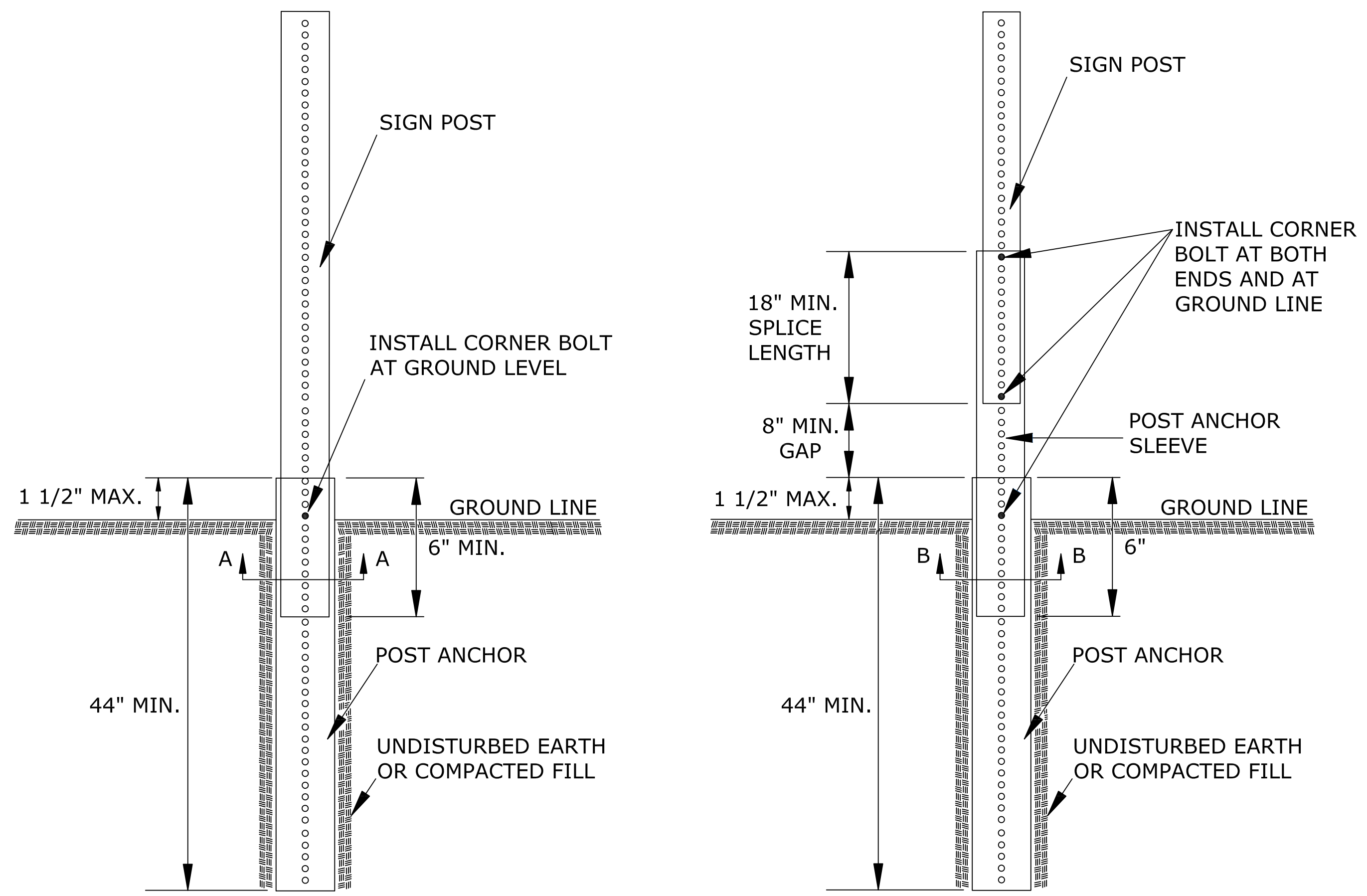
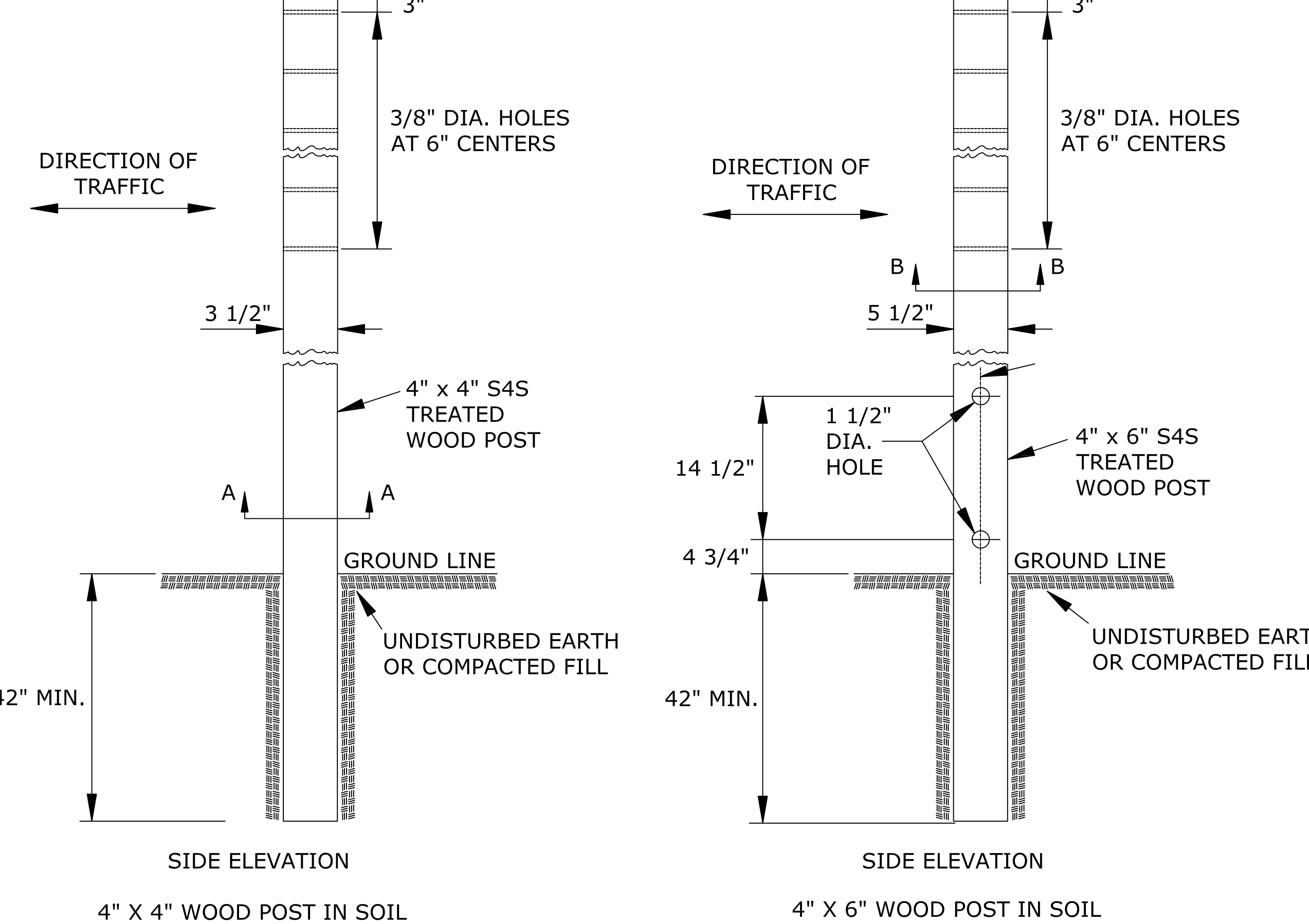


PERFORATED SQUARE STEEL TUBE (P.S.S.T.) POST SETUP



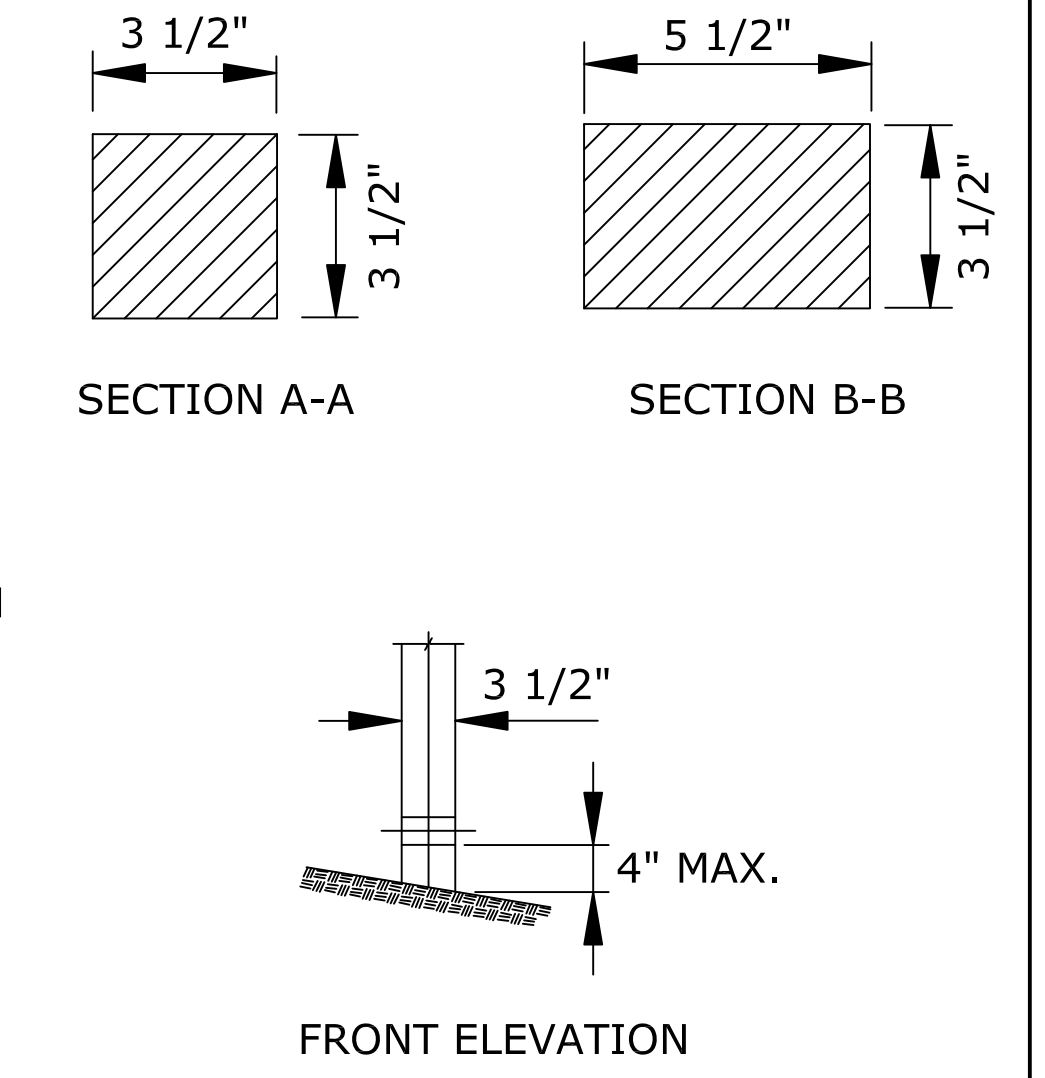
DETAILS FOR 2", 2 1/4", OR 2 1/2" SIGN POST
PLACE BOLTS IN THE SAME CORNER ALONG EACH SIGN POST.

WOOD POST SETUP

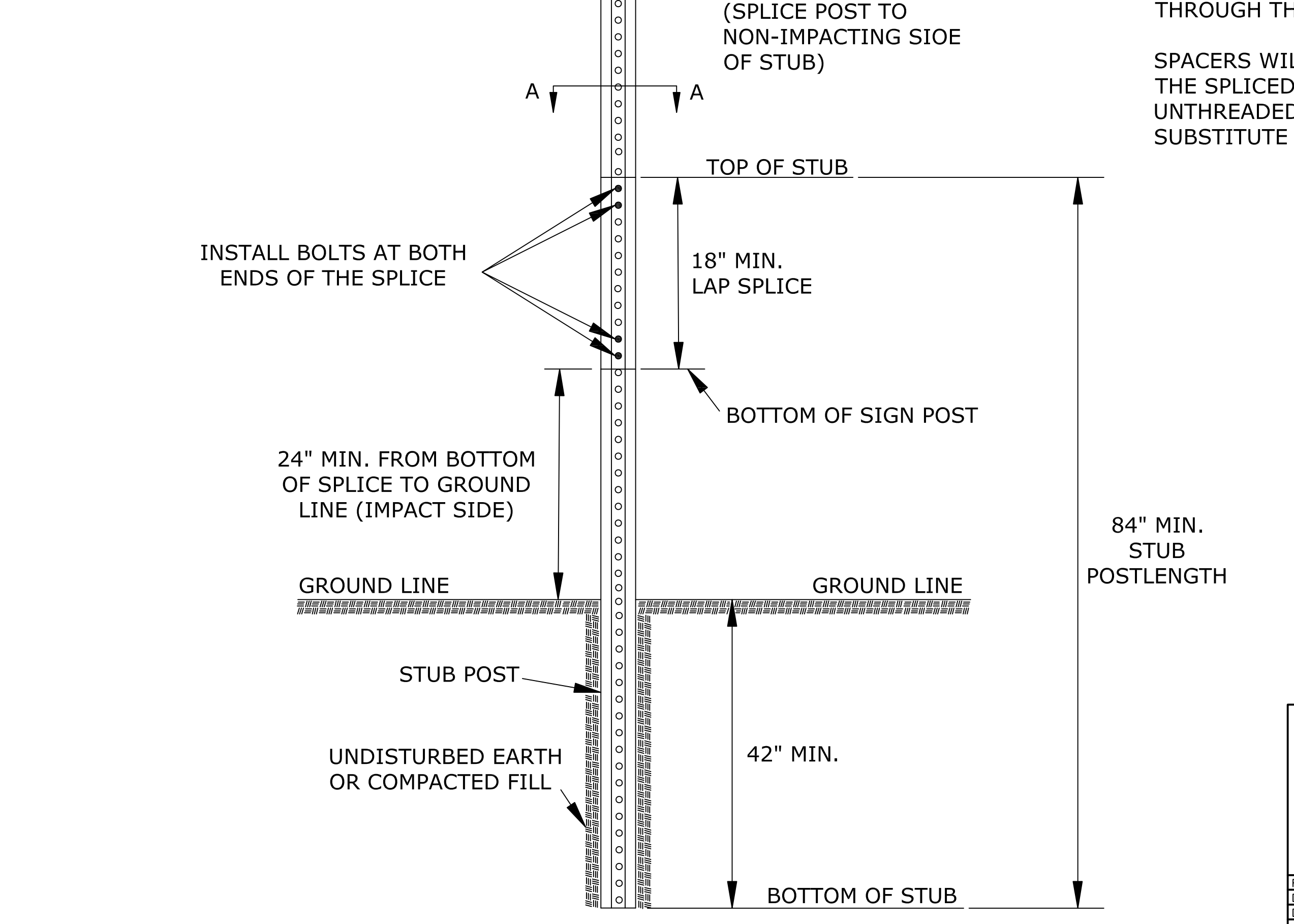


STATE	PROJECT NO.	YEAR	SHEET NO.	TOTAL SHEETS
KANSAS	..	2014	88	133

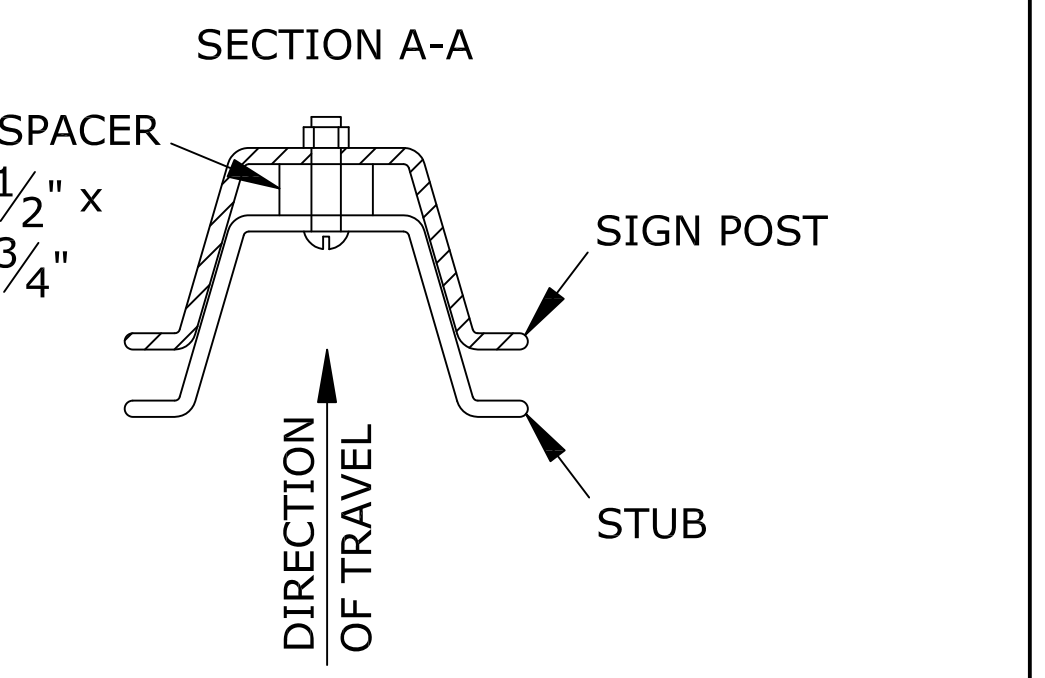
NOTES:
ALL SIGN MOUNTING HOLES IN THE WOOD POSTS SHALL BE DRILLED PRIOR TO TREATING.
BREAKAWAY HOLES AND FIELD CUTS SHALL BE TREATED IN ACCORDANCE WITH THE PRESERVATIVE TREATMENT SPECIFICATIONS.



3 LB/F U-CHANNEL SETUP



NOTES:
PLACE TWO BOLTS AT BOTH ENDS OF THE SPLICE THROUGH THE HOLES NEAREST THE ENDS OF THE SPLICE.
SPACERS WILL BE USED OVER THE BOLTS BETWEEN THE SPLICED PIECES OF U-CHANNEL. THREADED OR UNTHREADED SPACERS MAY BE USED. DO NOT SUBSTITUTE PIPE OR OTHER "ITEMS" FOR THE SPACERS.



3	10/16/12	Added Spacer Dimension, Removed PSST Note	J.A.M.	K.P.
2	10/4/11	Removed Washer On PSST Detail	J.A.M.	K.P.
1	6/1/10	Modified Post Anchor Sleeve Dimension	J.A.M.	A.A.A.
NO.	DATE	REVISIONS	BY	APP'D

KANSAS DEPARTMENT OF TRANSPORTATION

APPROVED TEMPORARY POST SETUPS

TE712

DESIGNED	B.A.H.	DETAILED	B.A.H.	QUANTITIES	TRACED
DESIGN CK.	DETAIL CK.	QUAN. CK.	TRACE CK.		