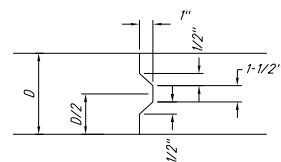
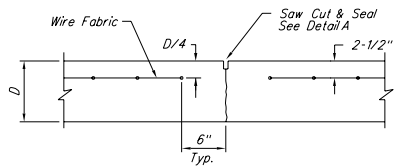


EXPANSION JOINT

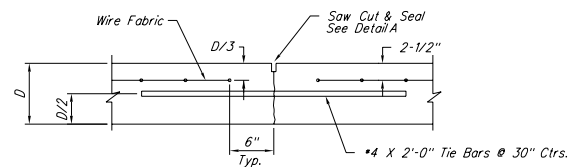
NOTE: Extra Thickness to be Subsidiary to Price of Square Yards Pavement



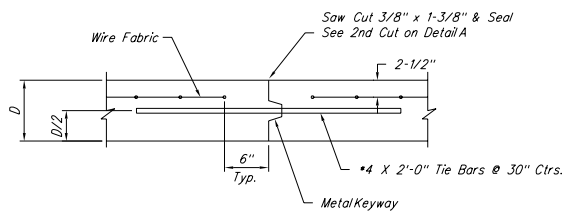
KEYWAY DETAIL



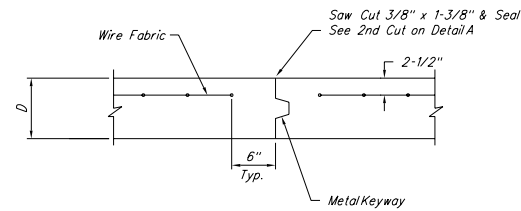
CONTRACTION JOINT DETAIL (C.J.)



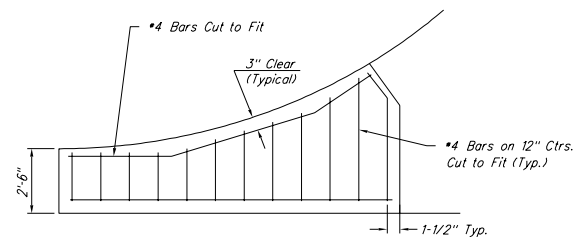
LONGITUDINAL JOINT DETAIL (L.J.)



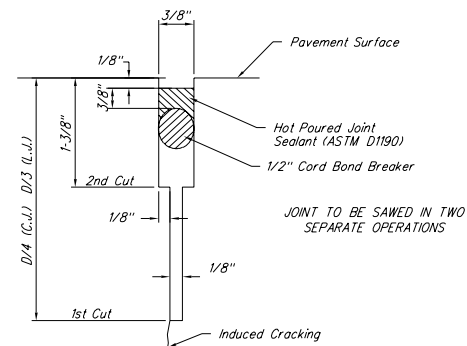
OPTIONAL LONGITUDINAL JOINT DETAIL (L.J.)



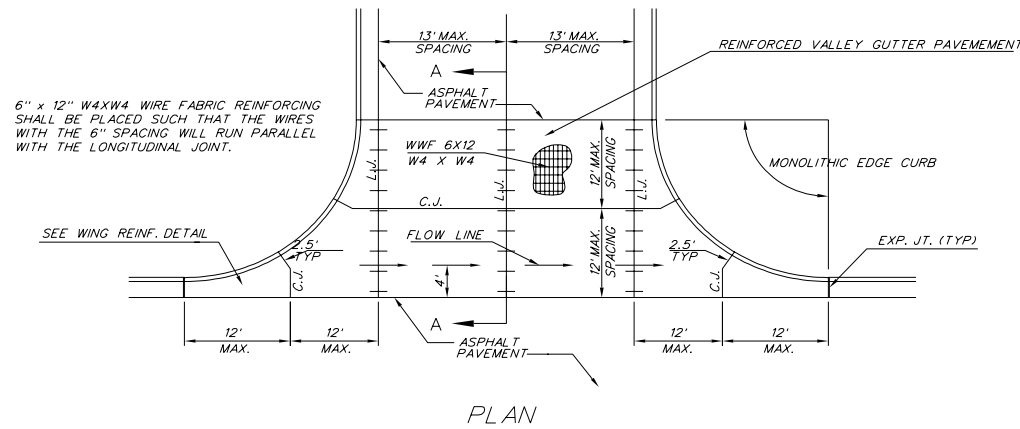
OPTIONAL CONTRACTION JOINT



WING REINFORCING DETAIL

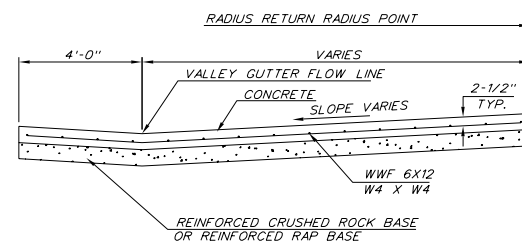


SAW JOINT DETAIL



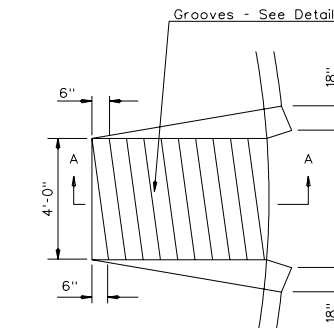
6" x 12" W4XW4 WIRE FABRIC REINFORCING SHALL BE PLACED SUCH THAT THE WIRES WITH THE 6" SPACING WILL RUN PARALLEL WITH THE LONGITUDINAL JOINT.

PLAN

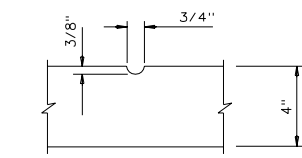


SECTION A-A

REINFORCED VALLEY GUTTER DETAIL

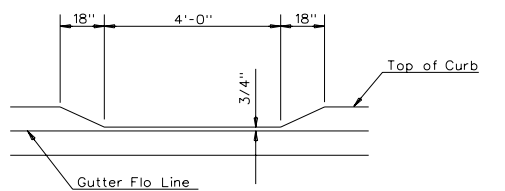
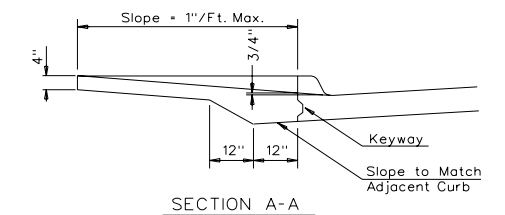


WHEELCHAIR RAMP PLAN VIEW



GROOVE DETAIL

WHEELCHAIR RAMP DETAIL



DEPRESSED CURB DETAIL

<p>THE CITY OF WICHITA</p> <p>CITY ENGINEER'S OFFICE CITY HALL - SEVENTH FLOOR 455 NORTH MARK STREET WICHITA, KANSAS 67202 (316) 268-4501 (316) 268-4114 FAX</p>	VALLEY GUTTER DETAILS	
	WHEELCHAIR RAMP DETAILS	
	PROJECT NUMBER XXX-XXXX	INDEX CODE XXXXXX
	DATE MAR 96	SHEET 7 OF 23