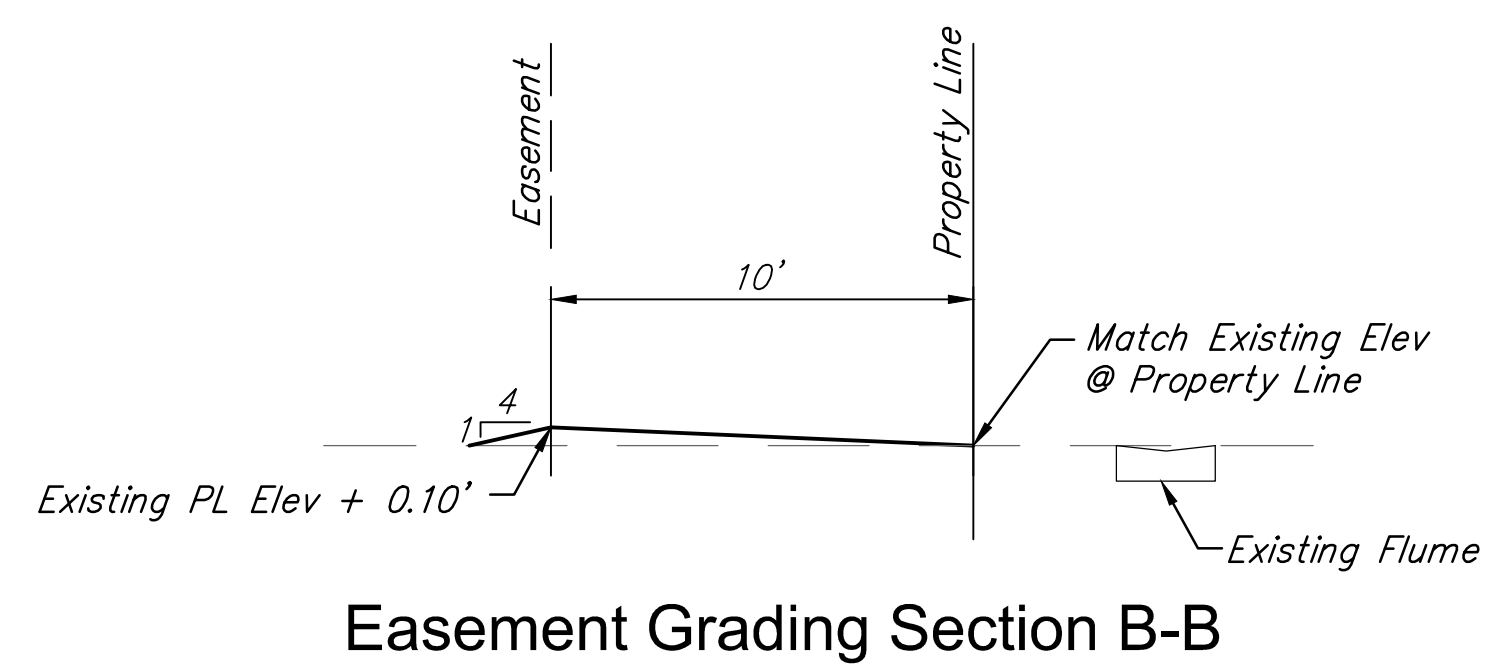
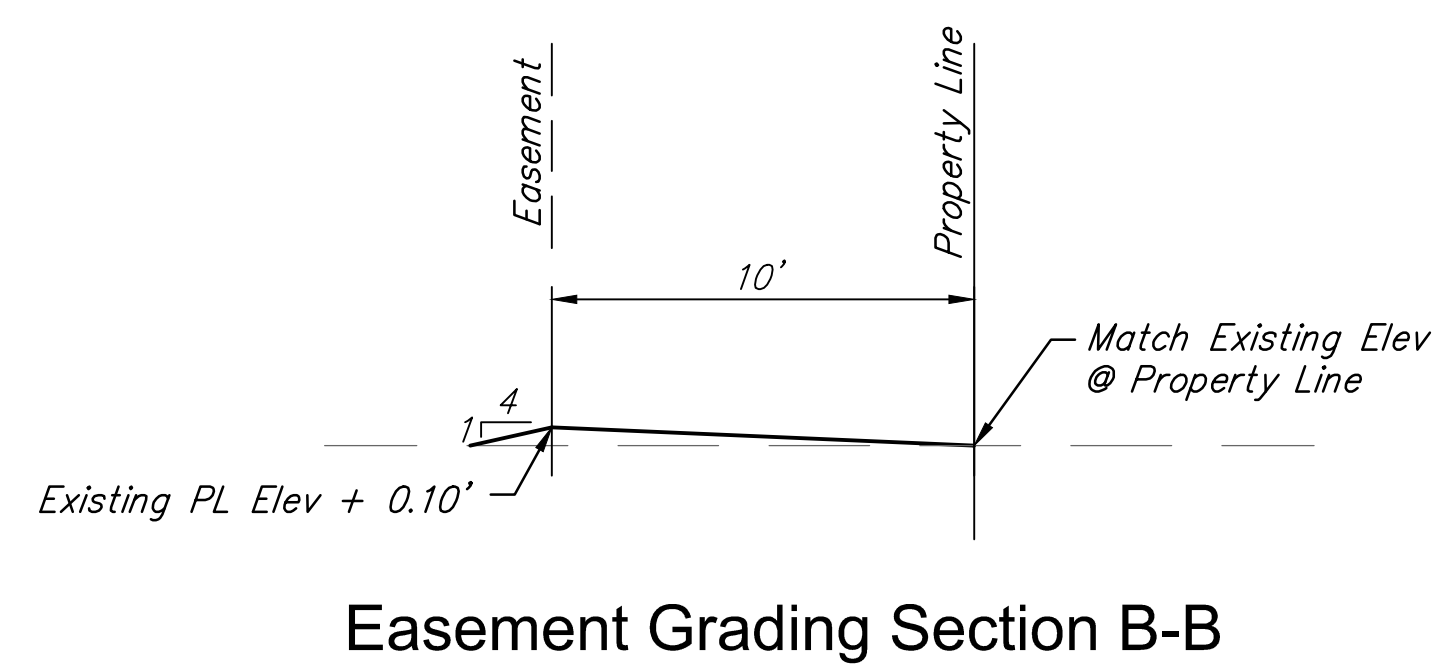
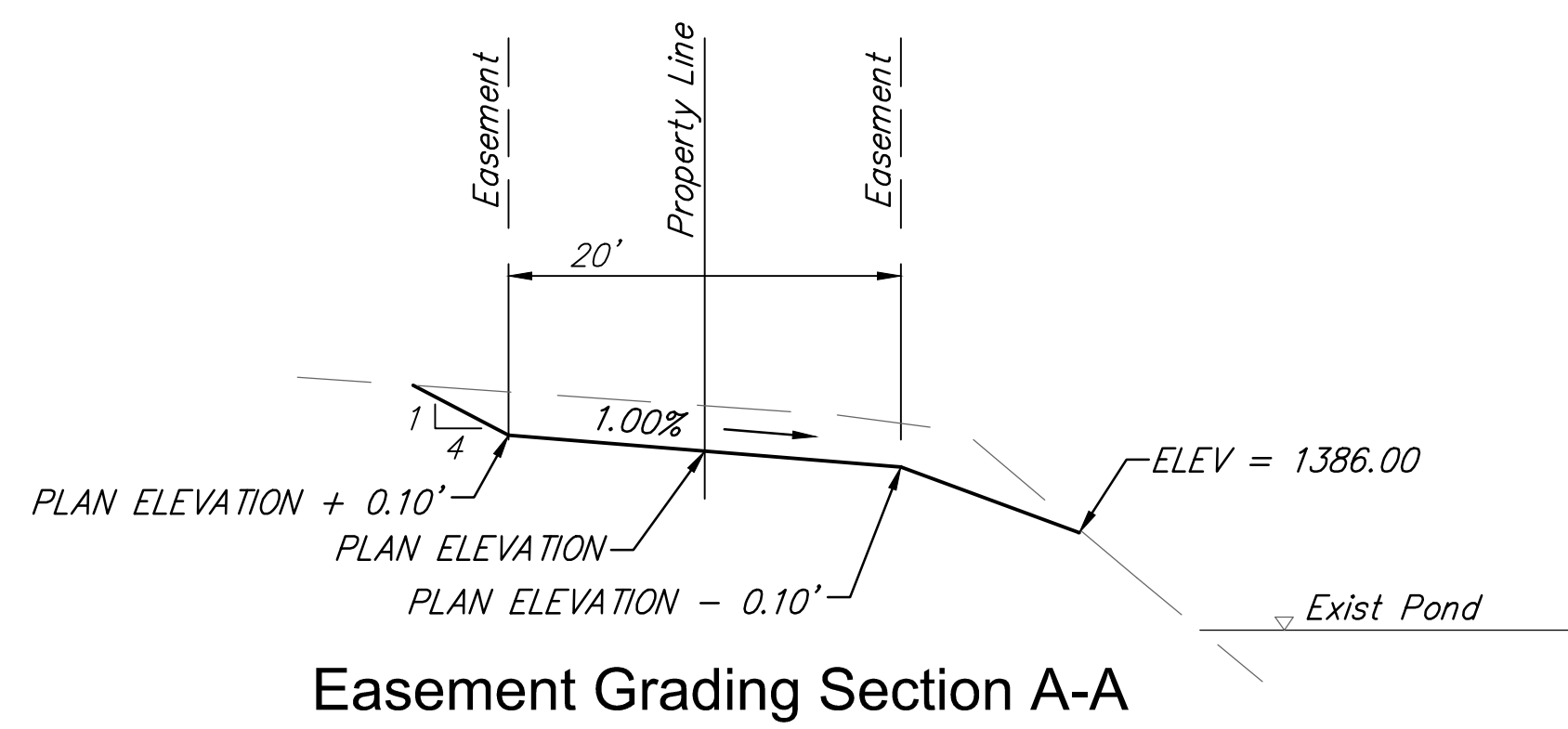


Easement Grading Quantity Summary (This Sheet):

Easement Grading Section	Length	Cut (Cu.Yd.)	Fill (Cu.Yd.)
Section A	328'	114	52
Section B	391'	6	9
Section C	418'	16	13

***Easement Grading Quantities are not included in bid item for Excavation.*



(c) Copyright 2014, Ruggles & Bohm, P.A.

LEGACY 3RD ADDITION CUL-DE-SAC WICHITA, KANSAS	
	RUGGLES & BOHM
	<small>ENGINEERING SURVEYING LANDSCAPE ARCHITECTURE GOVERNMENT 924 NORTH MAIN WICHITA, KANSAS 67203 P (316) 264-8008 F (316) 264-4621 WWW.RBANSAS.COM</small>
PROJECT NUMBER	RB JOB NO.
DRAWING FILE	ENGINEERING BASE {Cul-de-Sac}
DATE	Dec. 1, 2014
DESIGN	EJG
DRAWN	EJG
REVIEW	.
SHEET	17
	OF 32