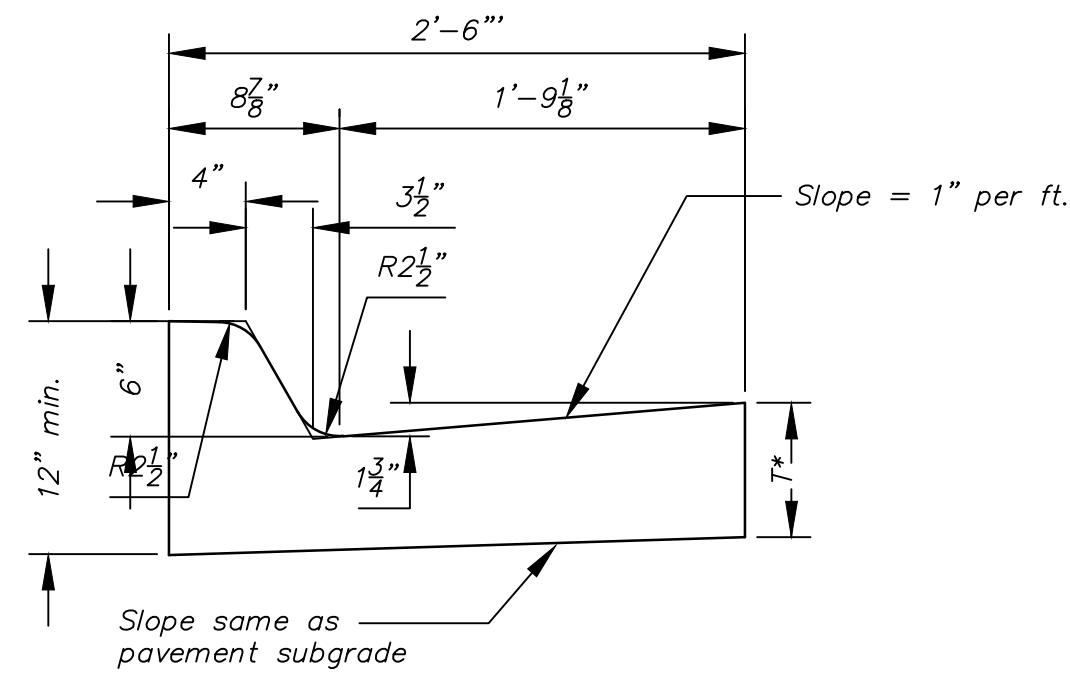
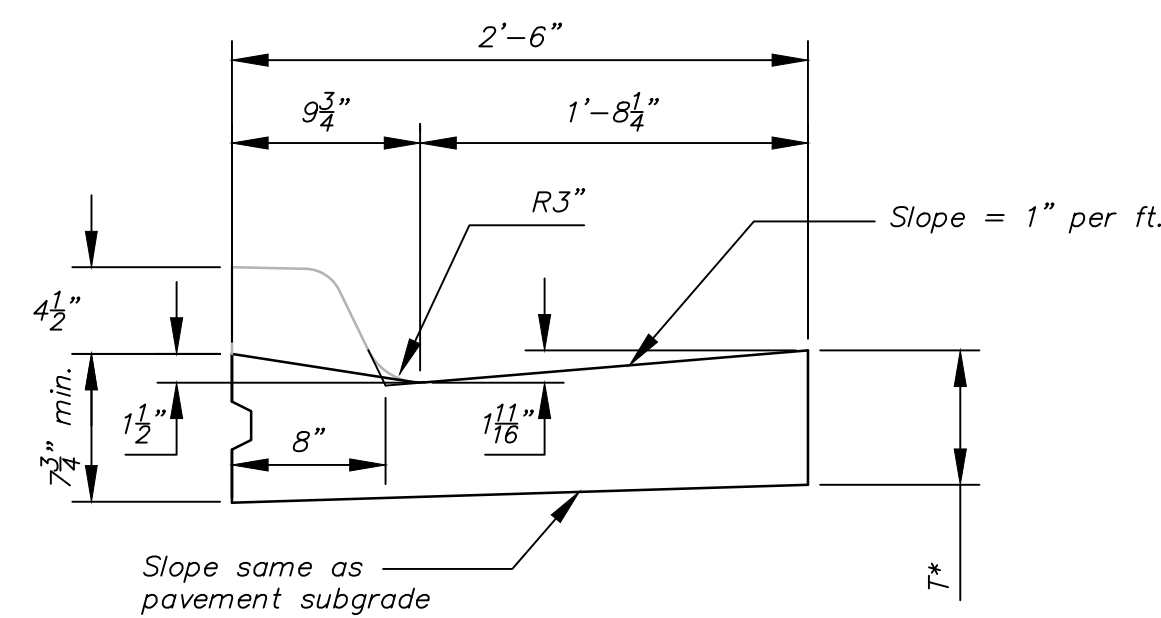


TYPE 1
(Arterial curb)

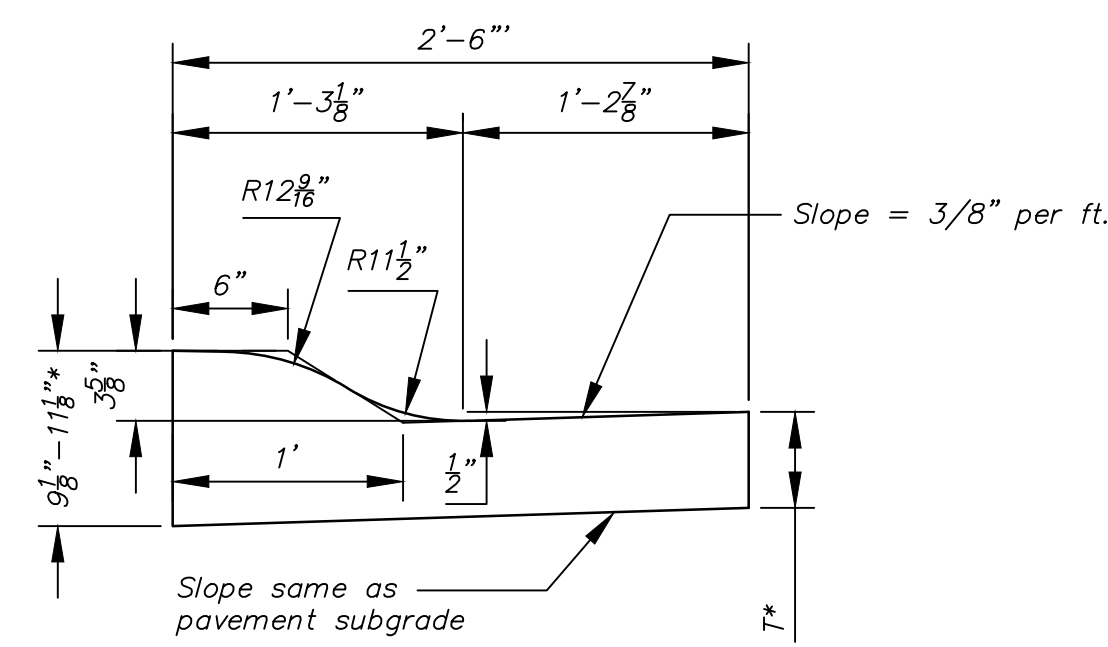


Combined Curb & Gutter (6")

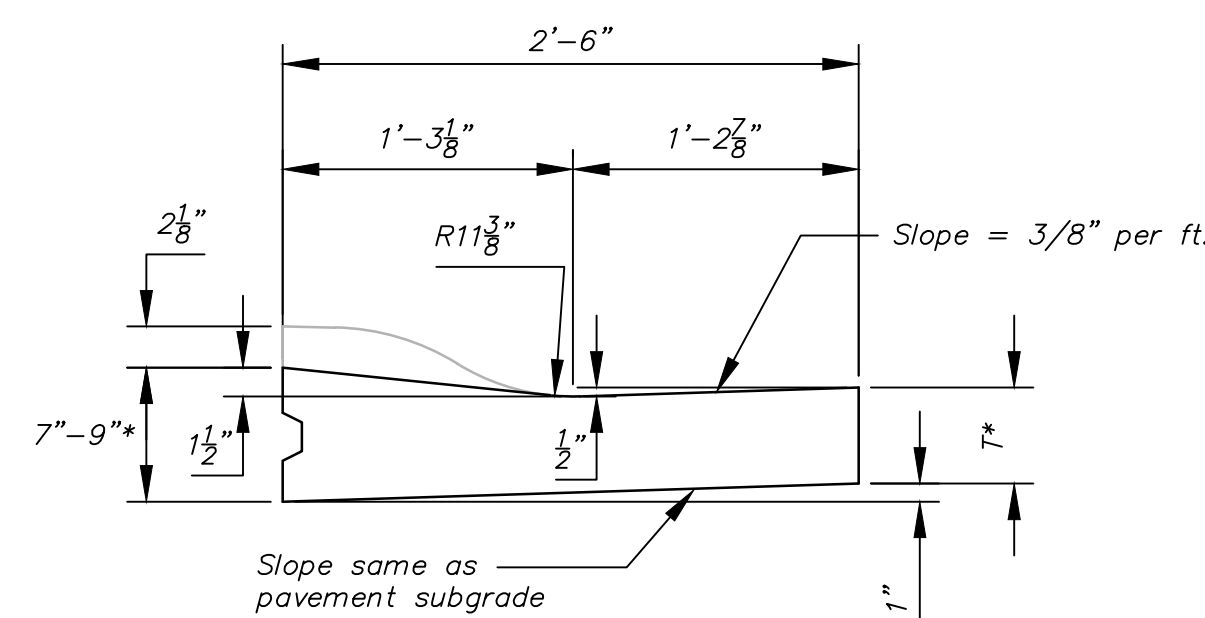


Combined Curb & Gutter (1 1/2")

TYPE 2
(Roll curb)



Combined Curb & Gutter (3 5/8")



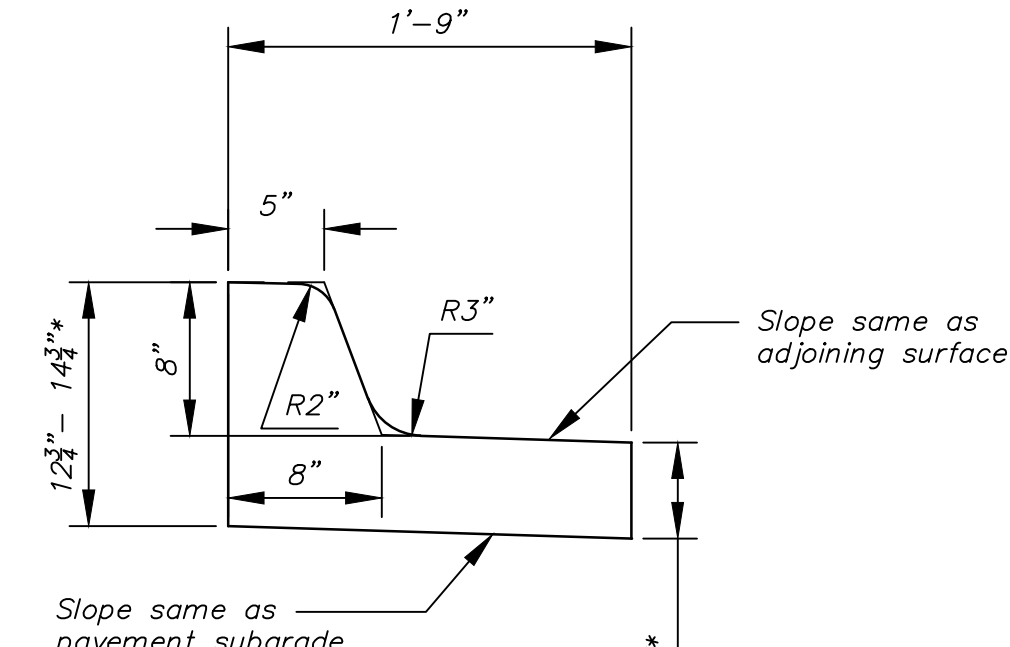
Combined Curb & Gutter (1 1/2")

T* = Thickness of curb to adjust with pavement thickness

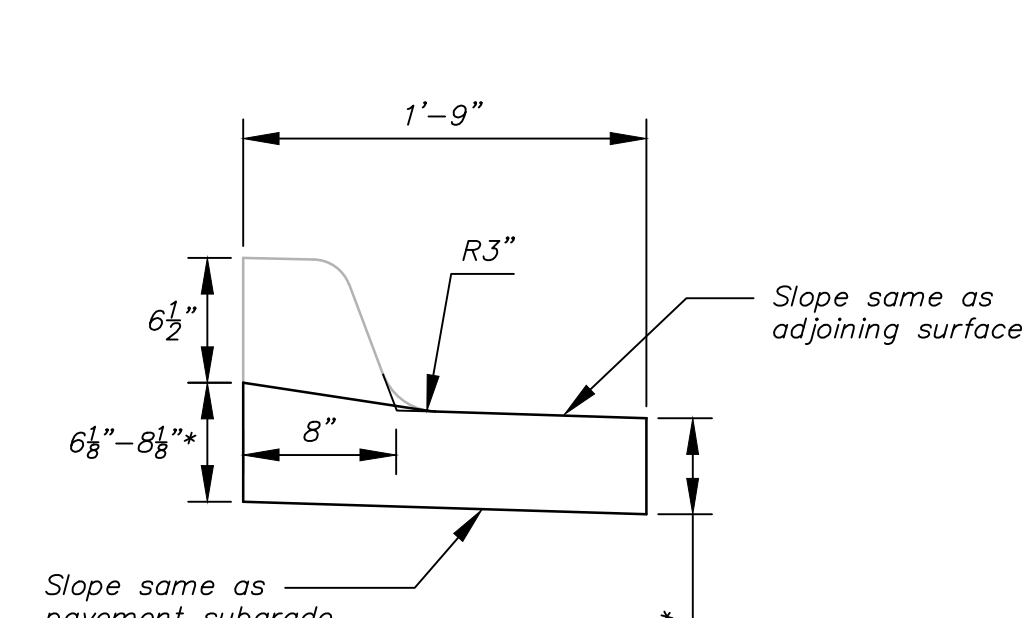
GENERAL NOTES

- Expansion (isolation) joints shall be constructed a maximum of 300' apart and at all PIs, PCs, cul-de-sac quadrants, and ends of returns.
- Contraction joints shall be constructed a minimum of 12' apart.
- Joint sealer shall be required at all joints on arterial and industrial streets and at intersections on residential streets.

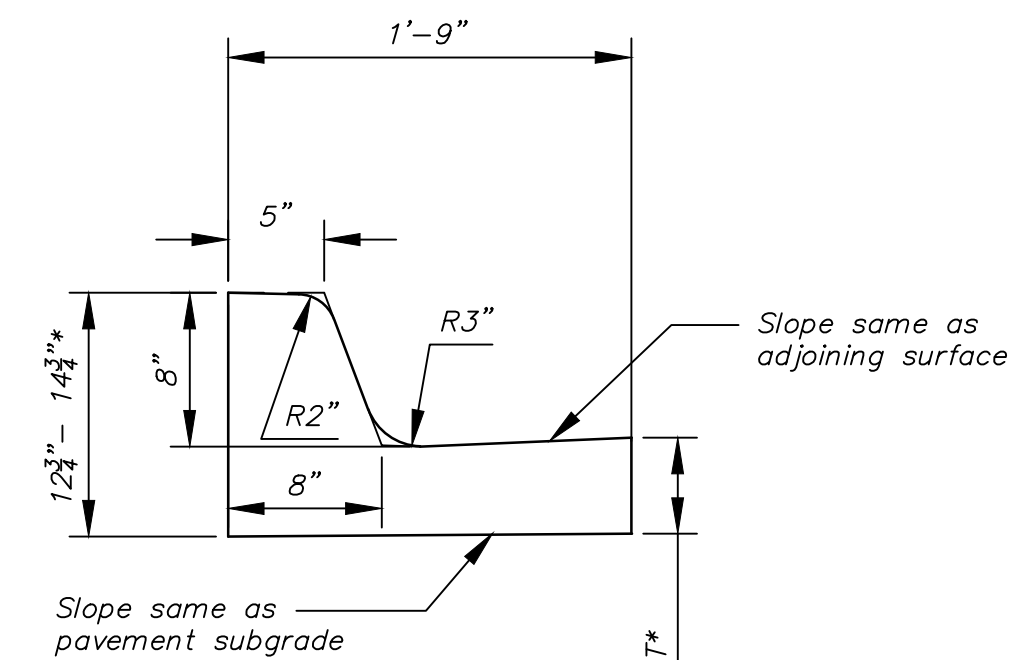
TYPE 3
(Median curb)



Combined Curb & Gutter (8")

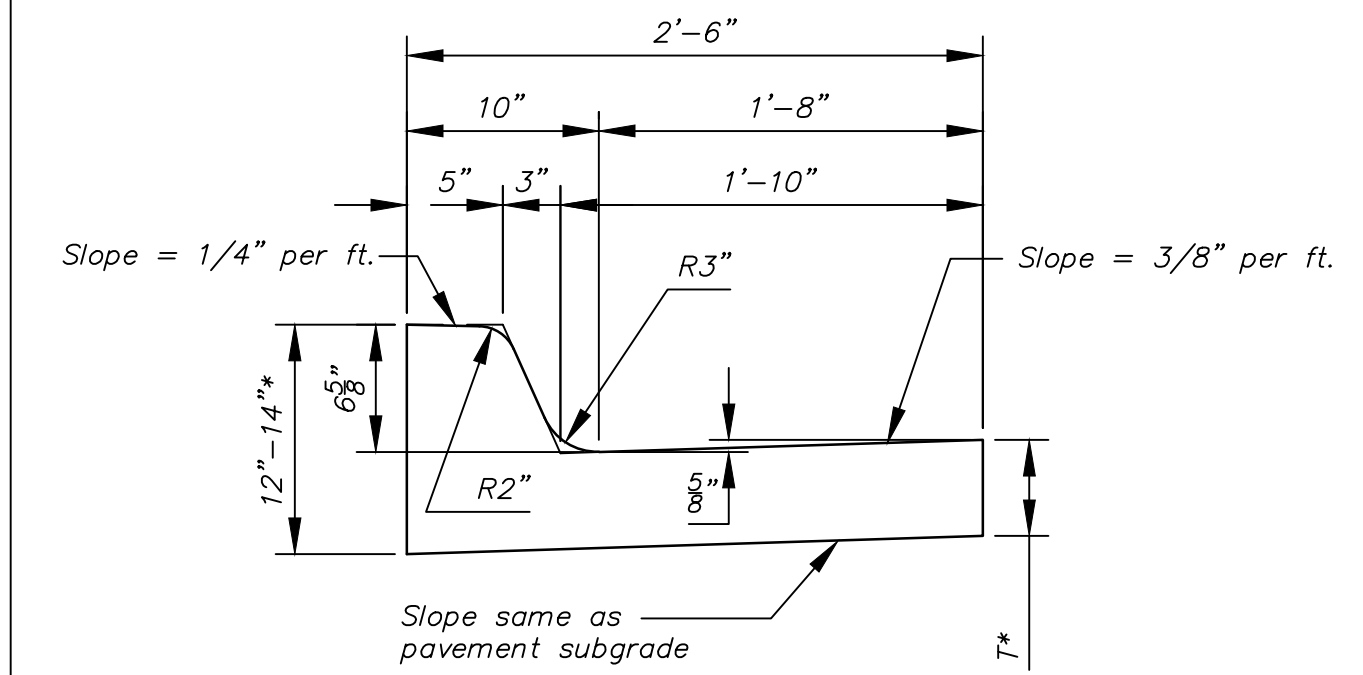


Combined Curb & Gutter (1 1/2")

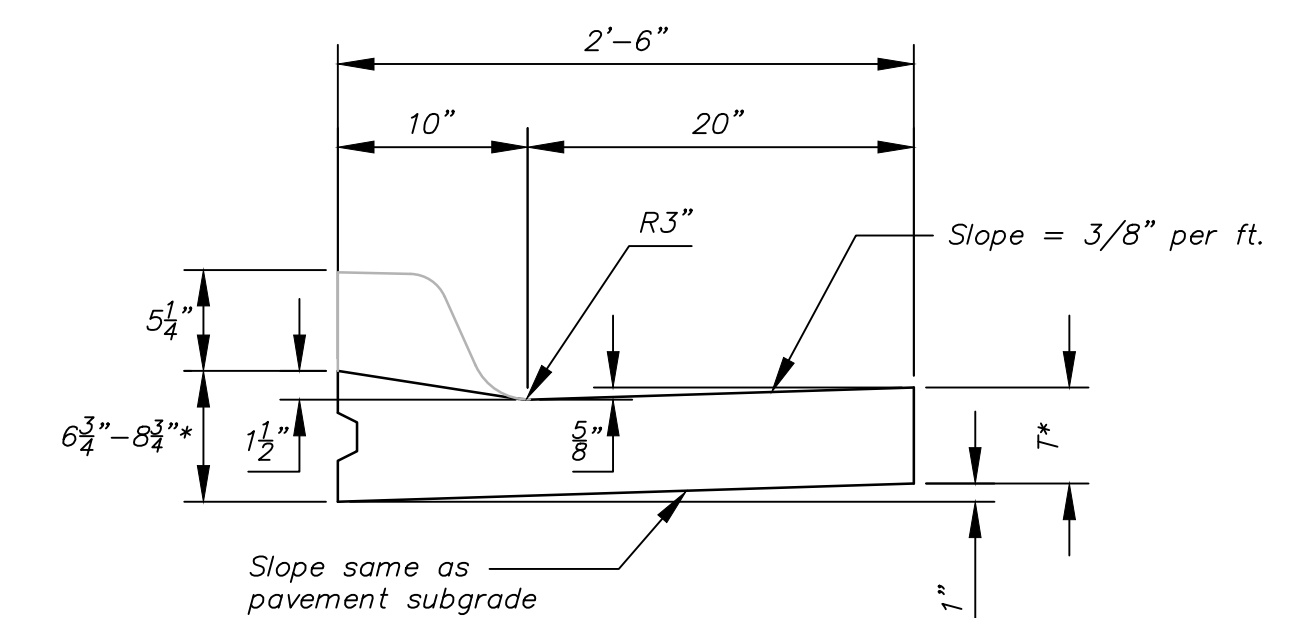


Combined Curb & Gutter (8")
High Edge

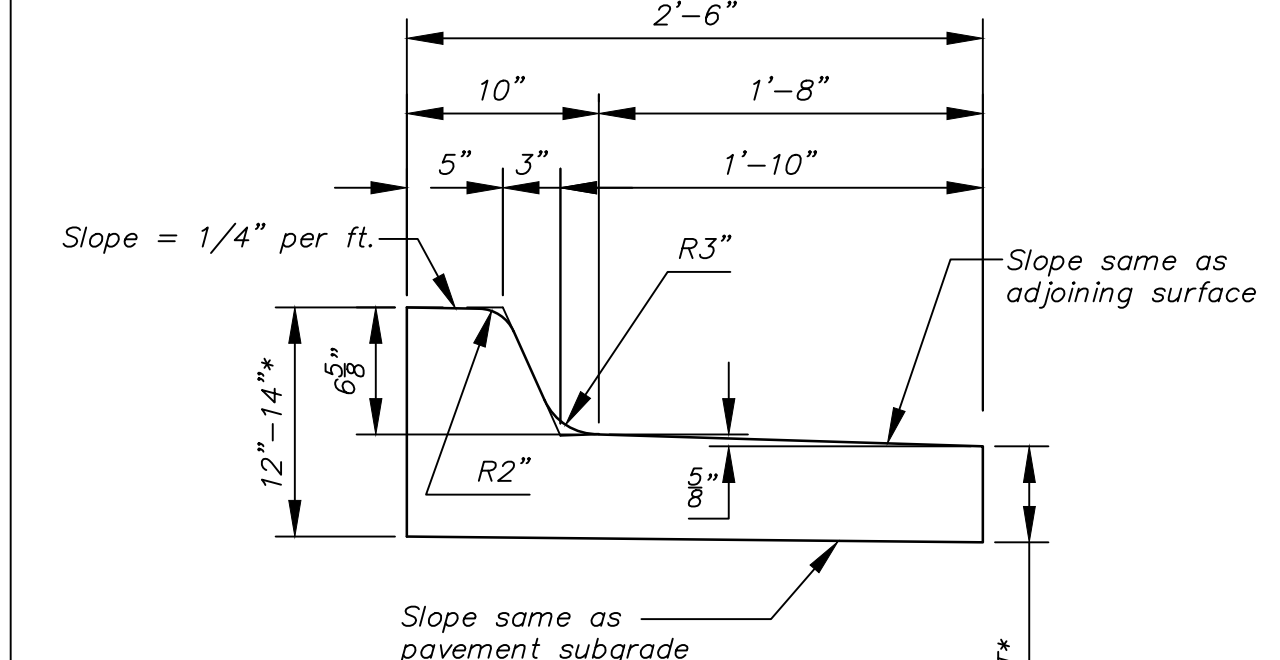
TYPE 4
(Residential curb)



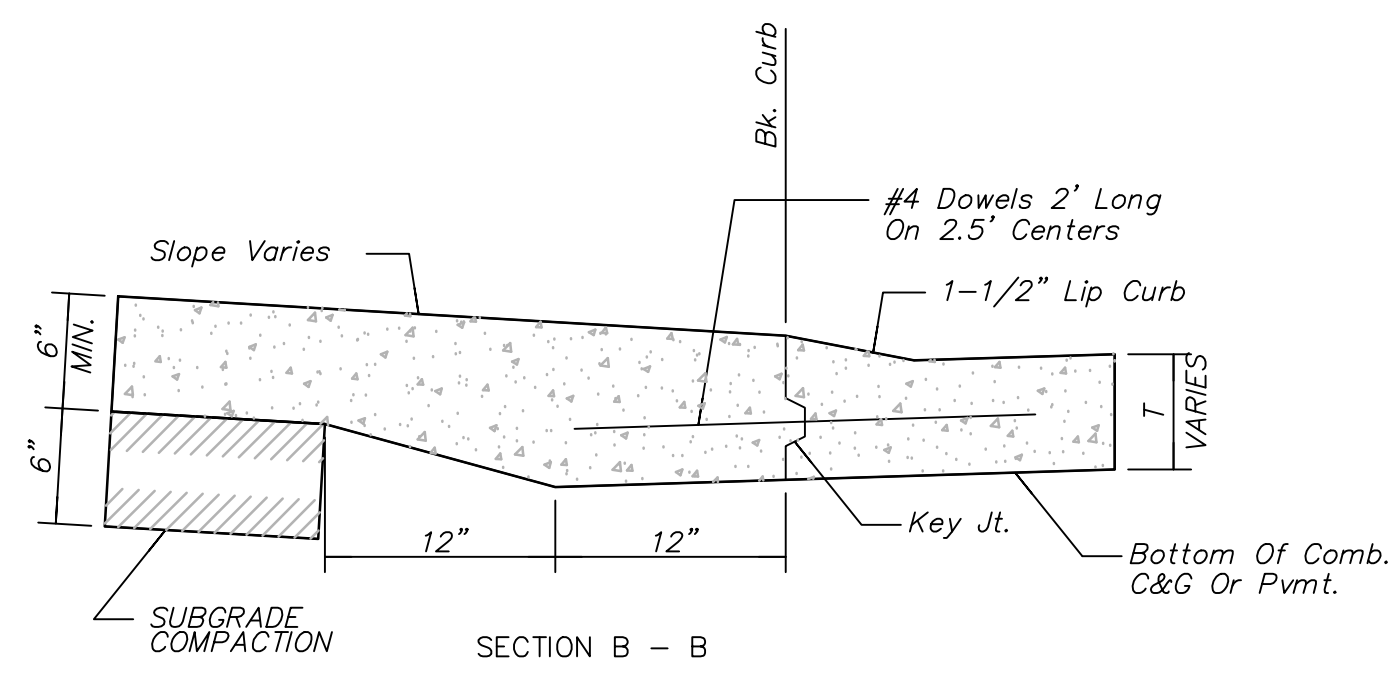
Combined Curb & Gutter (6 5/8")



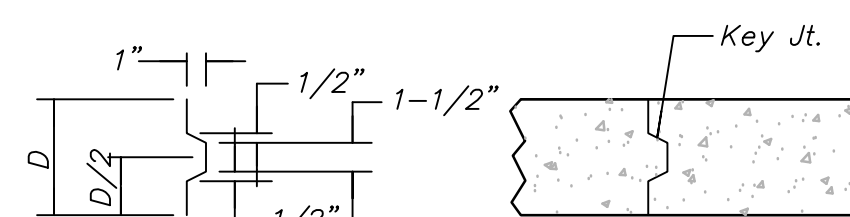
Combined Curb & Gutter (1 1/2")



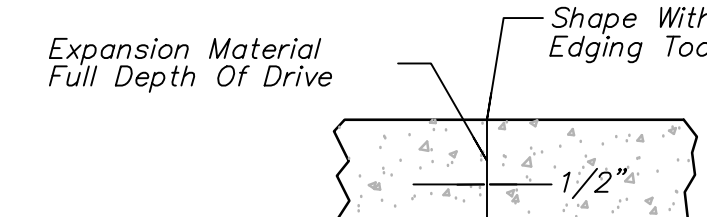
Combined Curb & Gutter (6 5/8")
Low Edge



BACK OF CURB DETAIL



ALT. LONGITUDINAL CONSTRUCTION JOINT



EXPANSION JOINT (E.J.)



CURB & GUTTER
DETAILS

| | | |
|--|----------------------|---------------------------------|
| CITY ENGINEER GARY JANZEN, P.E. | | |
| PROJECT NUMBER 472-84398 | OCA NUMBER 766324 | DATE 12/2010 |
| CITY ENGINEER'S OFFICE CITY HALL - SEVENTH FLOOR 455 NORTH MAIN STREET WICHITA, KANSAS 67202-1620 (316) 268-4501 | | Staff Staff SHEET 3 of 33 |