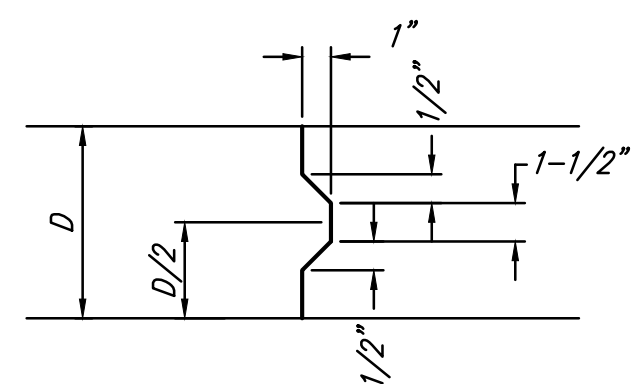
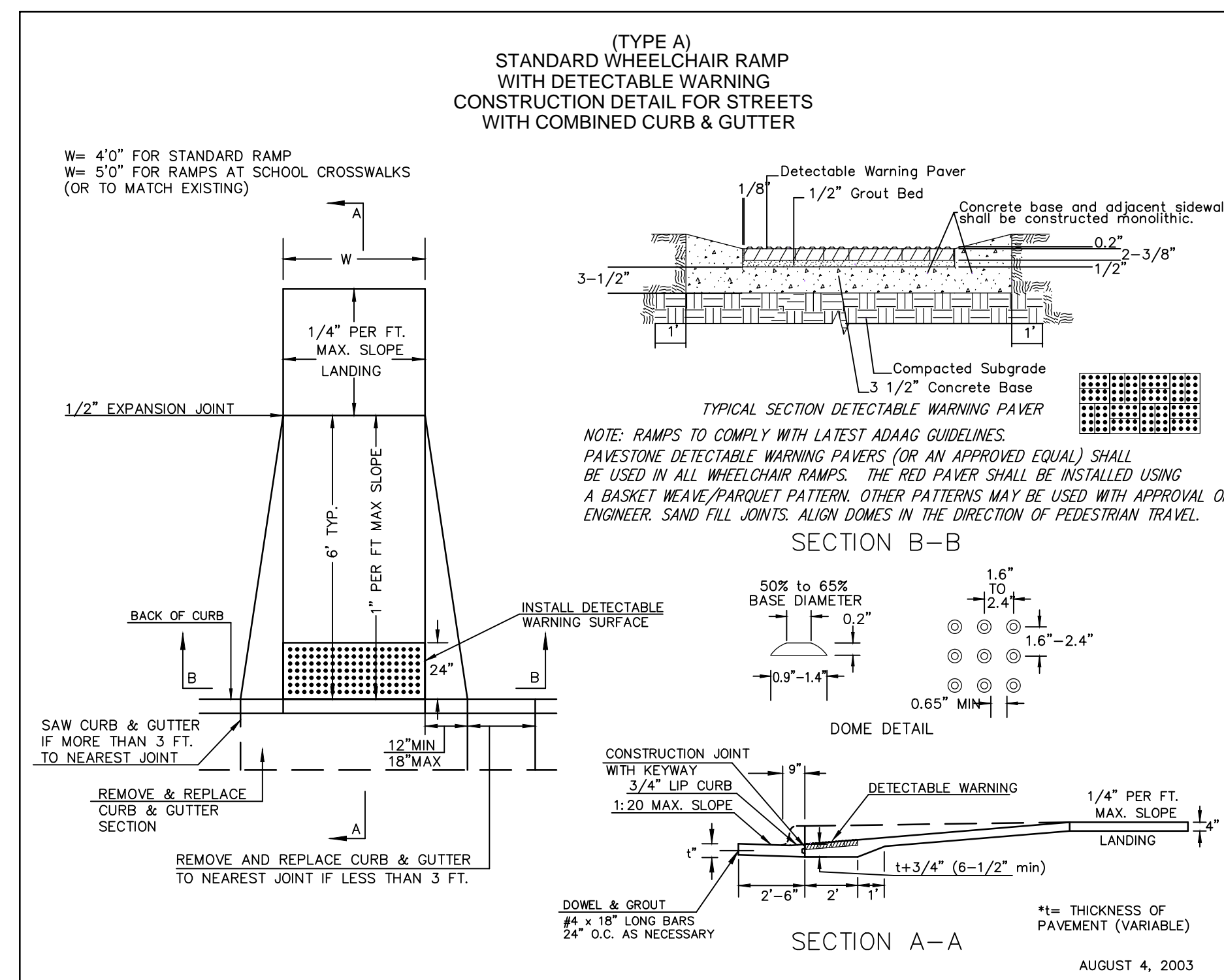


EXPANSION JOINT

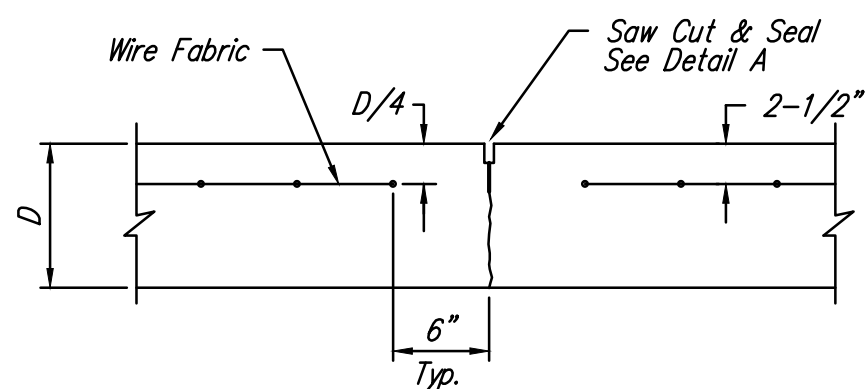
NOTE: Extra Thickness to be Subsidiary to Price of Square Yards Pavement



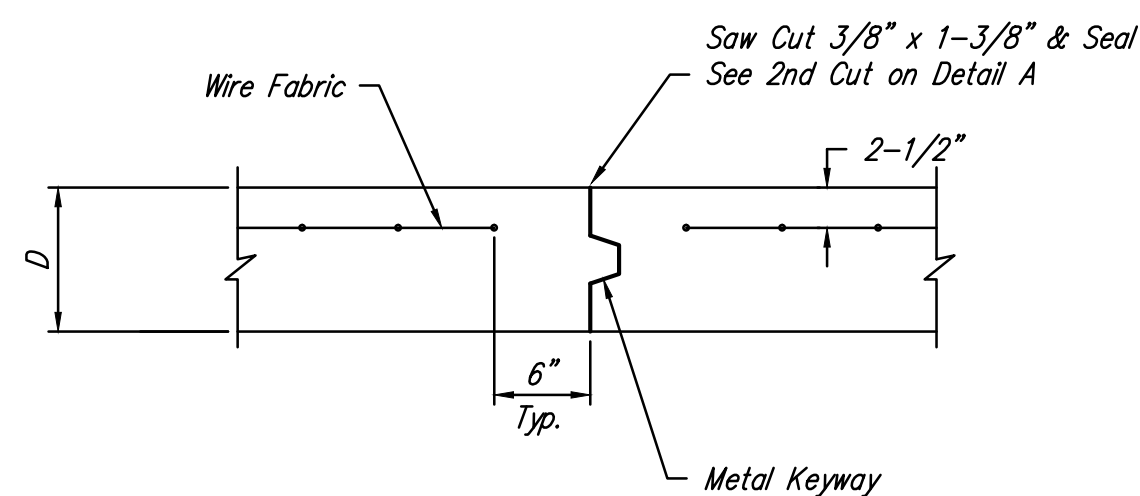
KEYWAY DETAIL



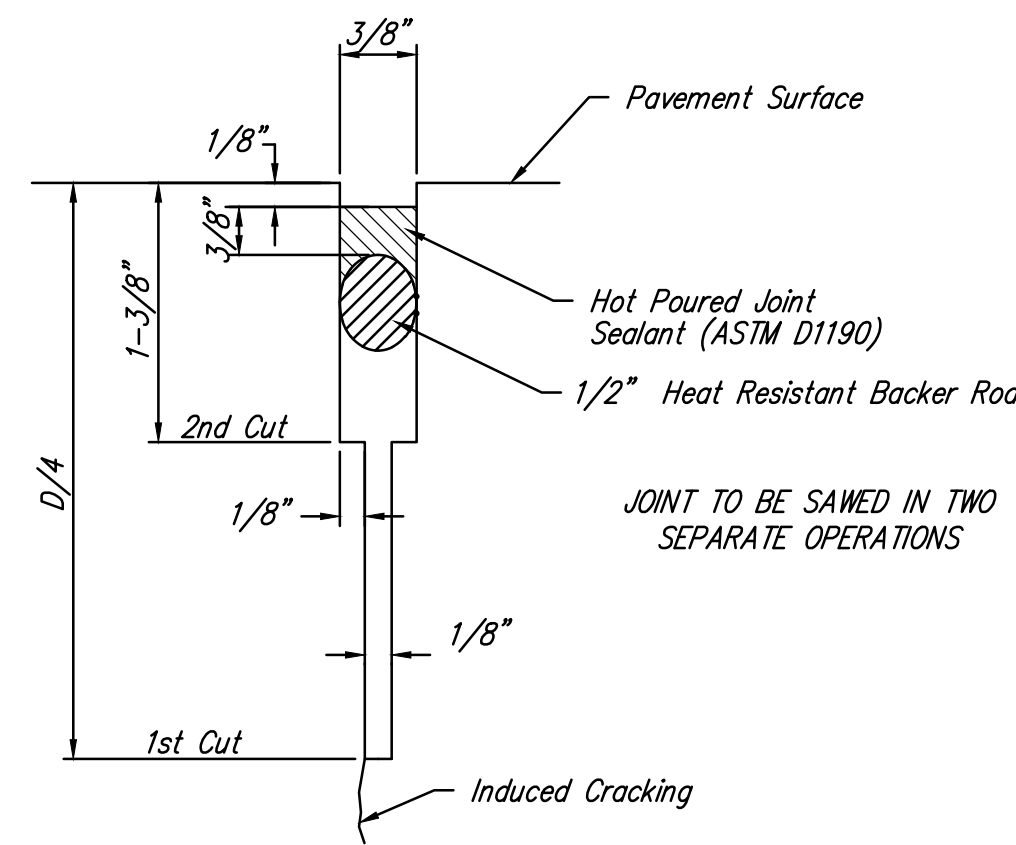
WHEELCHAIR RAMP DETAIL



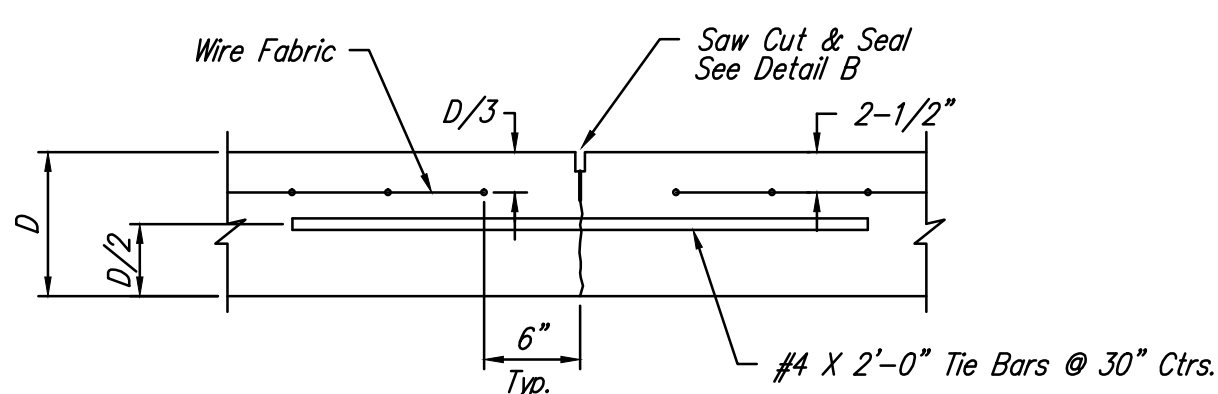
CONTRACTION JOINT DETAIL (C.J.)



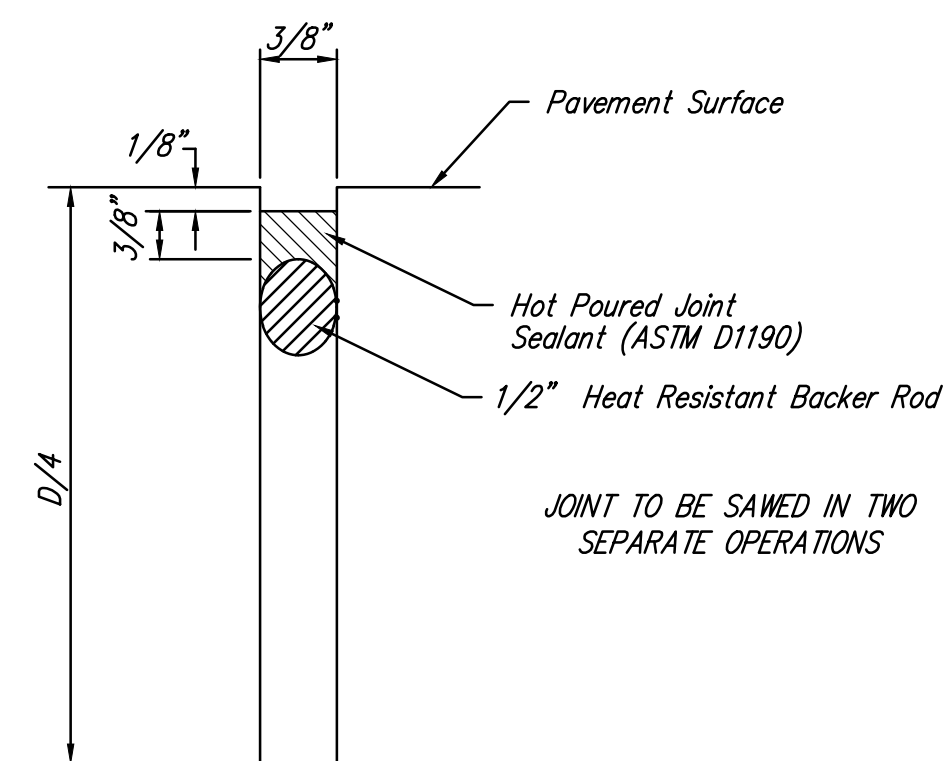
OPTIONAL CONTRACTION JOINT (CONSTRUCTION JOINT)



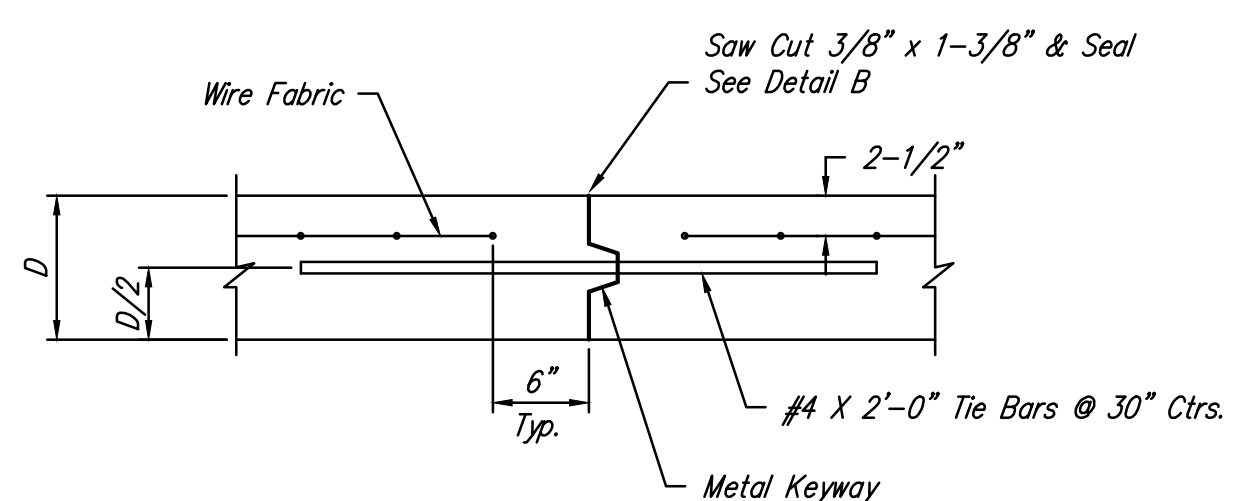
SAW JOINT DETAIL "A"



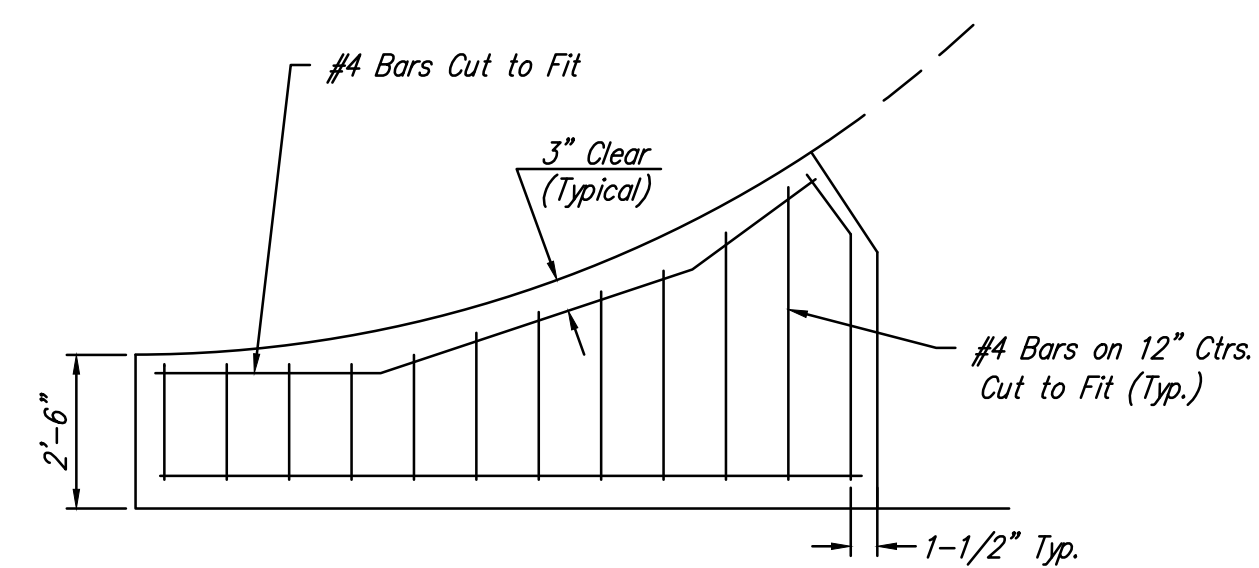
LONGITUDINAL JOINT DETAIL (L.J.)



SAW JOINT DETAIL "B"



OPTIONAL LONGITUDINAL JOINT DETAIL (L.J.) (CONSTRUCTION JOINT)



WING REINFORCING DETAIL

NOTE: 6" X 12" WAXW4 wire Fabric reinforcing shall be placed so that the wires with the 6" spacing will run parallel with the longitudinal joints.

B Baughman		MISCELLANEOUS DETAILS	
Baughman Company, P.A. 315 Ellis St. Wichita, KS 67211 P 316-2622721 F 316-2620149 ENGINEERING SURVEYING PLANNING LANDSCAPE ARCHITECTURE			
PROJECT NUMBER 472-84398	DESIGN STAFF	DRAWN STAFF	DATE
REVISIONS:	APPROVED	11/24/14	
	SCALE NONE		
	SHEET	5 OF 33	