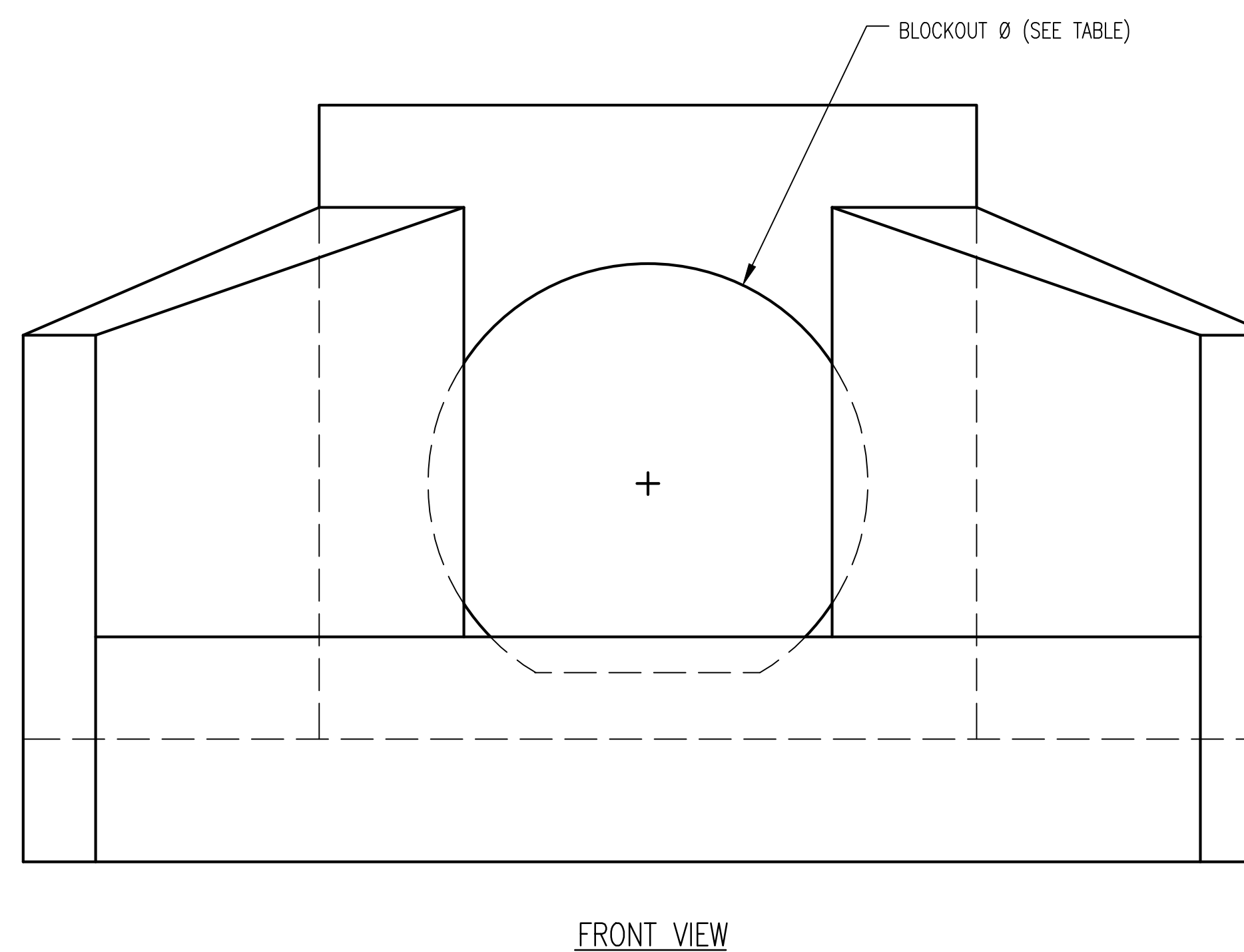
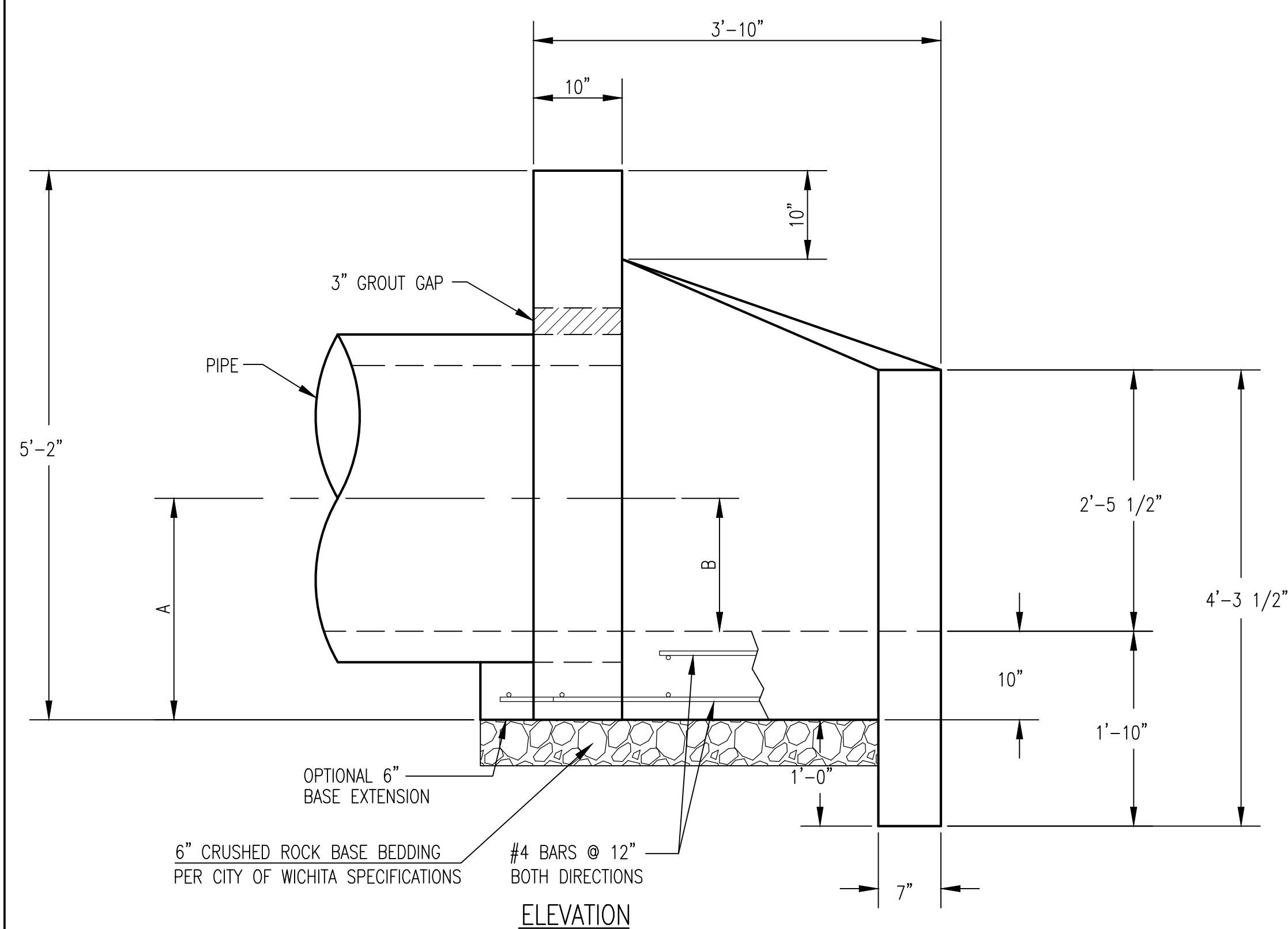



PIPE Ø	A	B	BLOCKOUT Ø
30"	2'-1"	1'-3"	3'-7"
36"	2'-4"	1'-6"	4'-2"



HEADWALLS, AS SHOWN, WILL NOT SUPPORT FLAP GATE.

 <p>CITY OF <b>WICHITA</b> PUBLIC WORKS &amp; UTILITIES ENGINEERING DIVISION</p>	<b>HEADWALL DETAILS FOR 30" AND 36" PIPE</b>		
	CITY ENGINEER <b>Gary Janzen, P.E.</b>		
	PROJECT NUMBER 472-84398	OCA NUMBER 766324	DATE 4/2012
	CITY ENGINEER'S OFFICE CITY HALL - SEVENTH FLOOR 455 NORTH MAIN STREET WICHITA, KANSAS 67202-1620 (316) 268-4501		DESIGN Staff DRAWN Staff SHEET 26 of 33