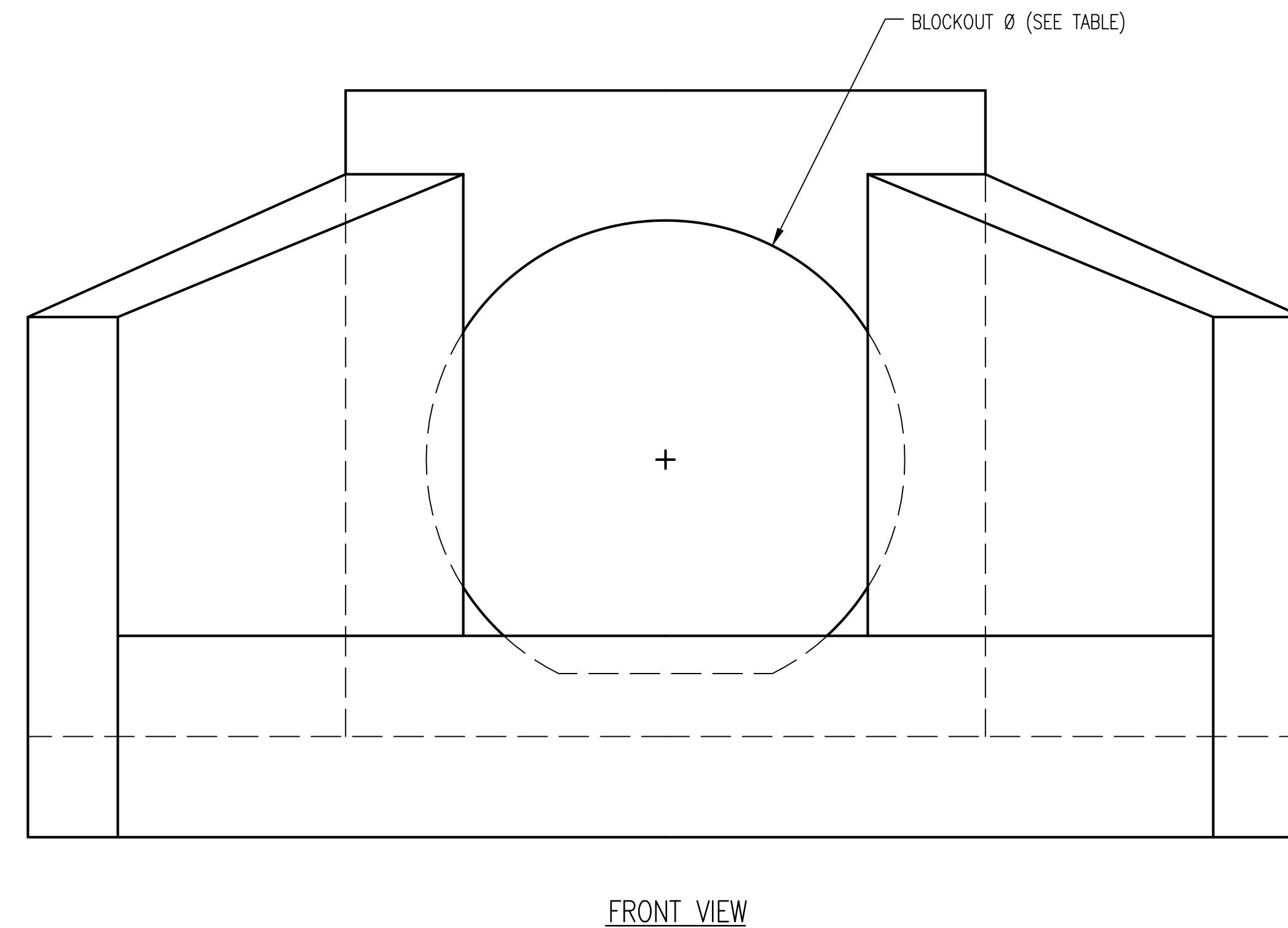
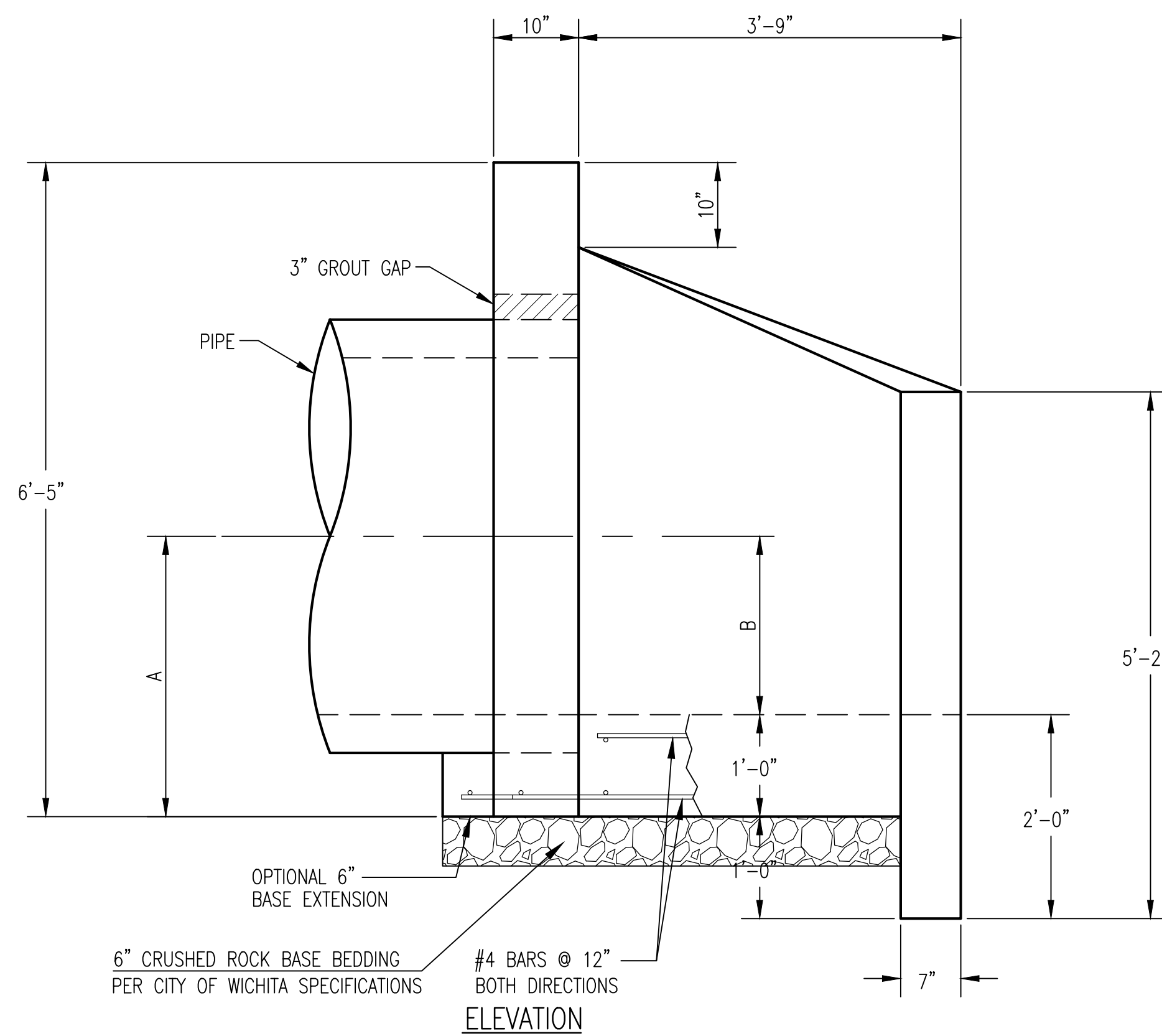


PIPE Ø	A	B	BLOCKOUT Ø
42"	2'-9"	1'-9"	4'-9"
48"	3'-0"	2'-0"	5'-4"



HEADWALLS, AS SHOWN, WILL NOT SUPPORT FLAP GATE.



HEADWALL DETAILS FOR 42" AND 48" PIPE
 CITY ENGINEER
Gary Janzen, P.E.
 PROJECT NUMBER: 472-84398
 OCA NUMBER: 766324
 DATE: 4/2012
 CITY ENGINEER'S OFFICE
 CITY HALL - SEVENTH FLOOR
 455 NORTH MAIN STREET
 WICHITA, KANSAS 67202-1620
 (316) 268-4501
 DESIGN: Staff
 DRAWN: Staff
 SHEET: 27 of 33