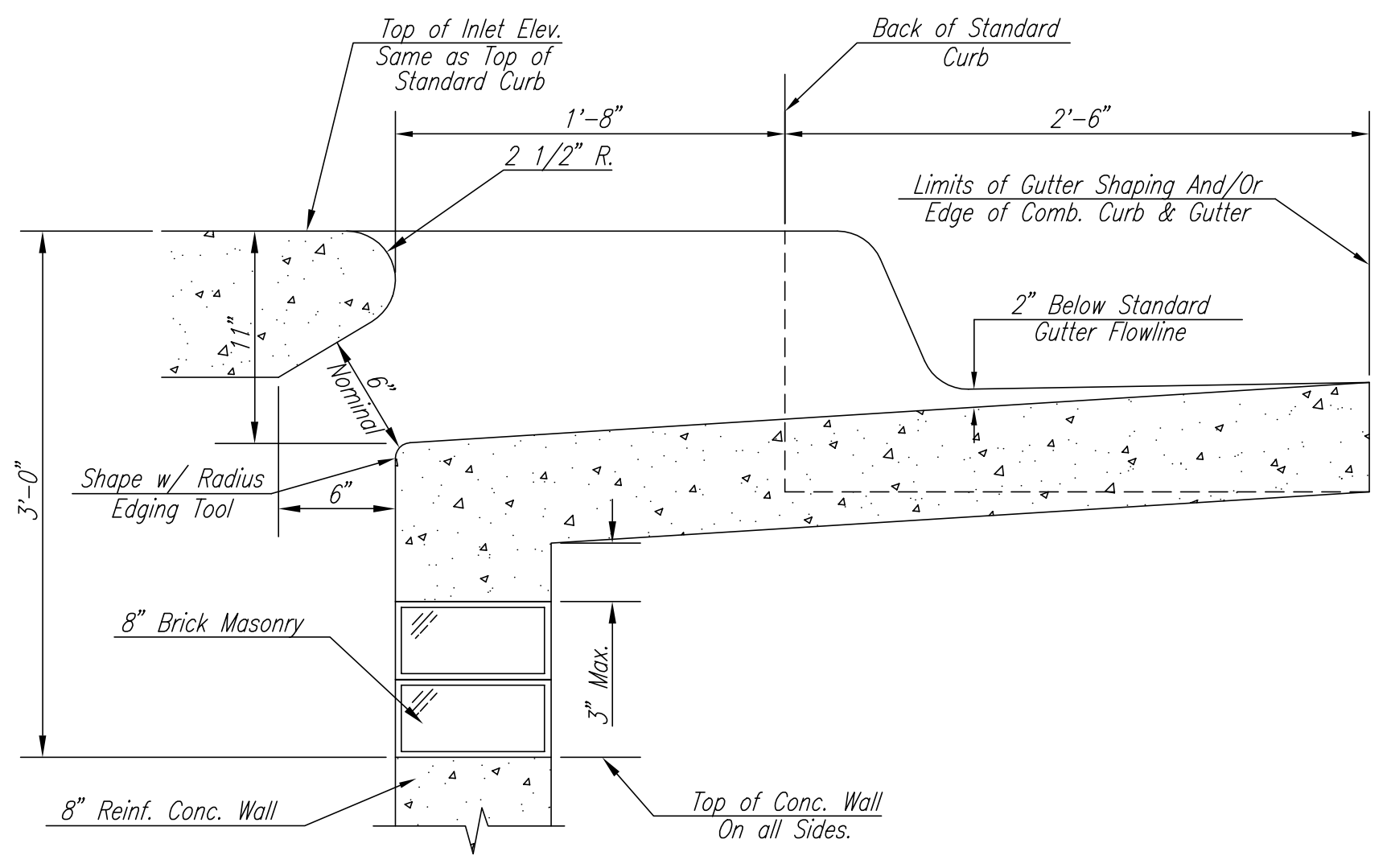
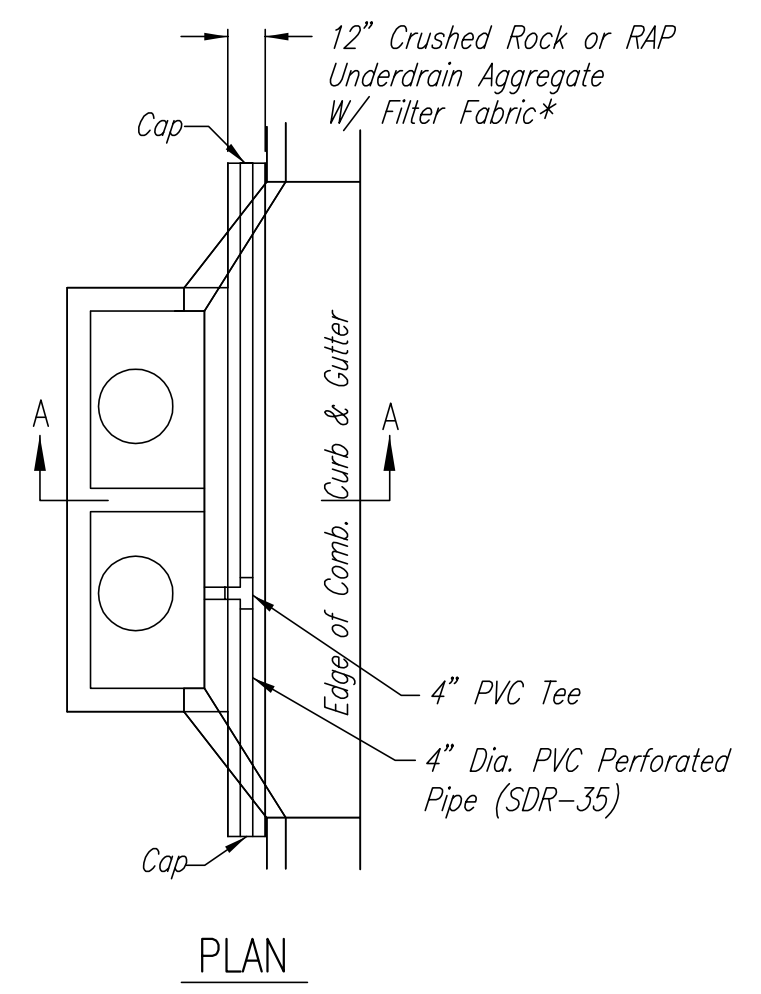


NOTE:  
Expansion Joint Only in Curb Area With Concrete Pavment.

PLAN



SECTION A-A



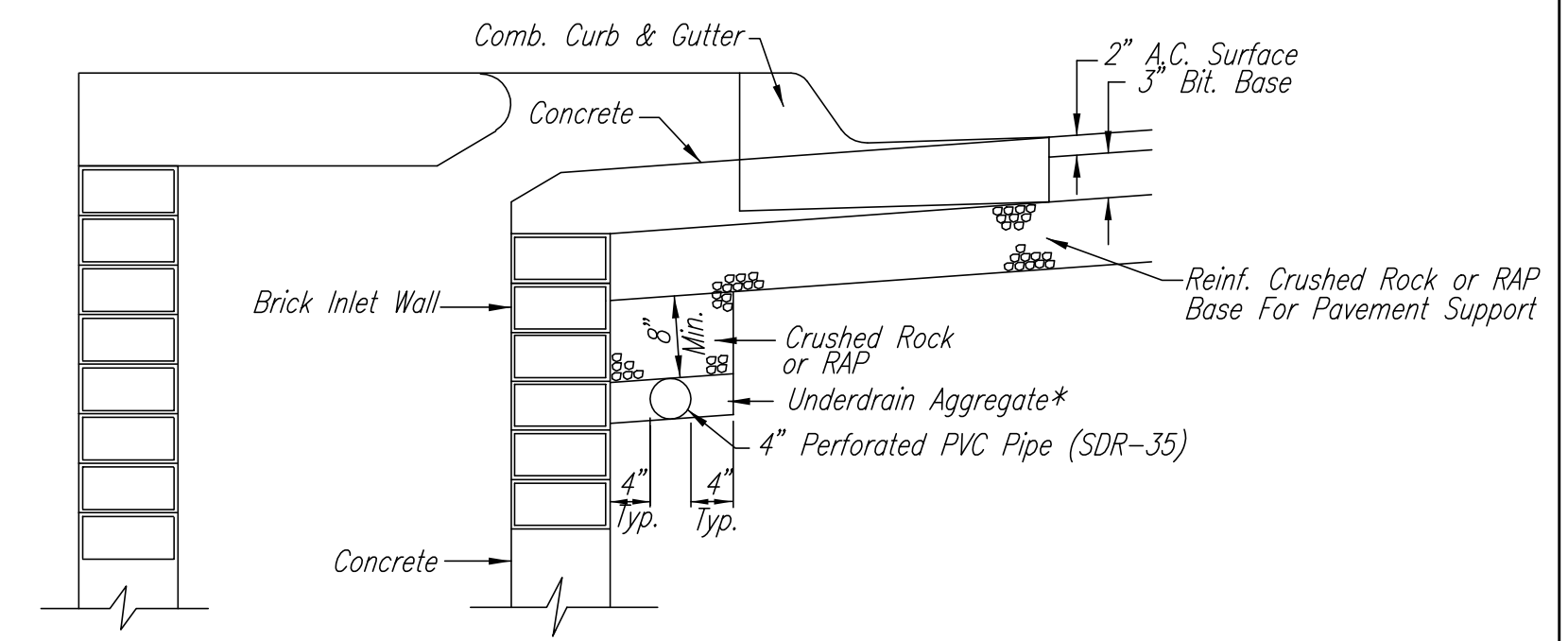
\* UNDERDRAIN AGGREGATE  
PERCENT OF AGGREGATE RETAINED

1"	0
3/4"	0-10
3/8"	45-80
#4	90-100
#8	95-100

ROCK QUALITY SHALL CONFORM TO THE REQUIREMENTS SPECIFIED BY THE KDOT 1990 EDITION STANDARD SPECIFICATION SUBSECTION 1102 FOR DURABILITY CLASS I.

PAVEMENT UNDERDRAIN LOCATIONS

STREET	STATION	SIDE
PARKDALE	11+97.00	LT. & RT.
PARKDALE	14+31.00	LT. & RT.
BRISTLECONE/LANTANA	35+49.03	LT. & RT.



Min. 16 Perforations Per Lin. Ft. @ 1/4" Dia. Perforations To Be on Bottom Half

SECTION A-A  
PAVEMENT UNDERDRAIN DETAIL

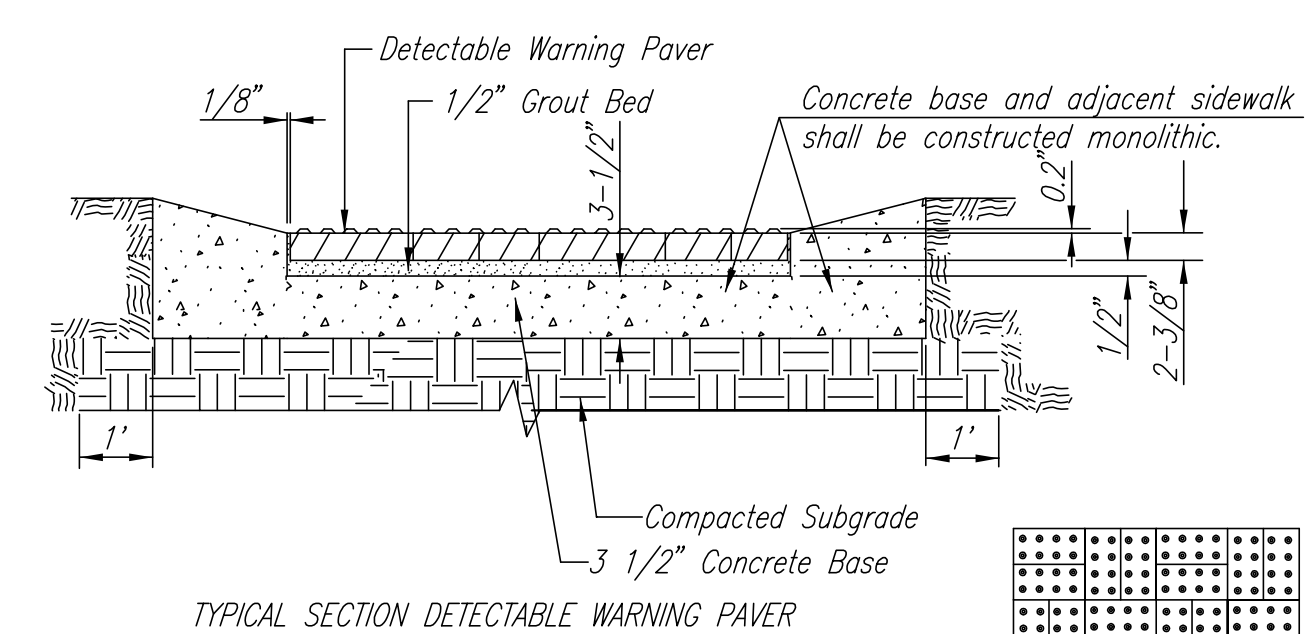
NOTE: PLACE 4" PVC PERFORATED PIPE AT ALL DRAINAGE SUMP LOCATIONS.

COST OF UNDERDRAIN SYSTEM TO BE INCIDENTAL TO THE REINFORCED CRUSHED ROCK OR REINFORCED RECYCLED ASPHALT PAVEMENT (RAP) BASE.

INLET TYPE MAY VARY FROM THAT SHOWN.

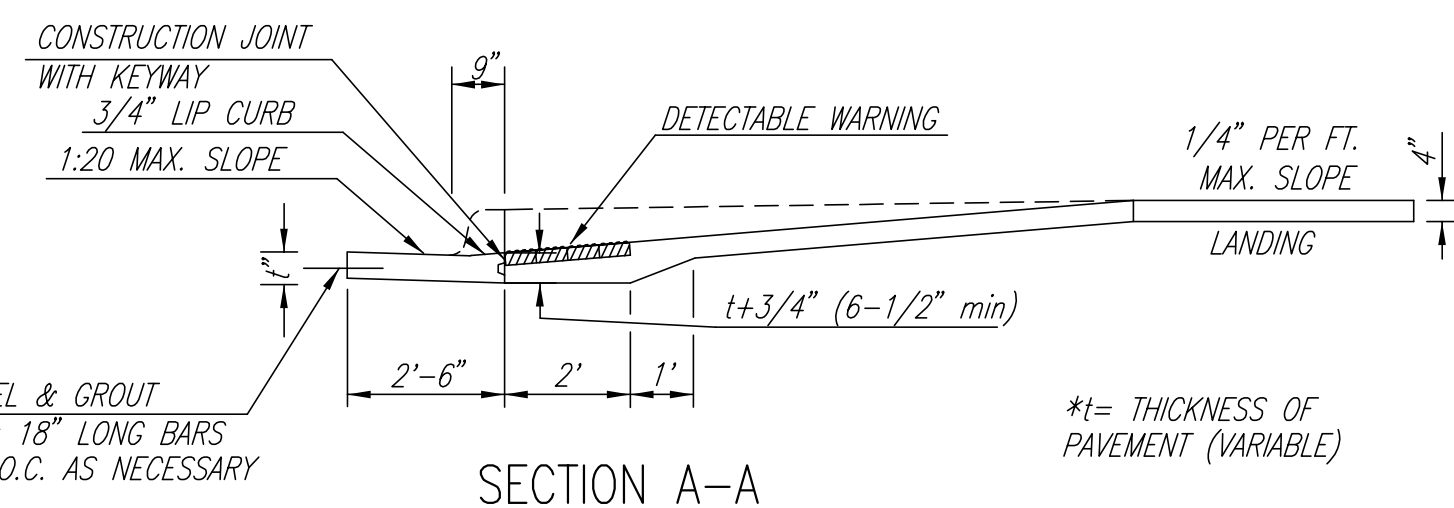
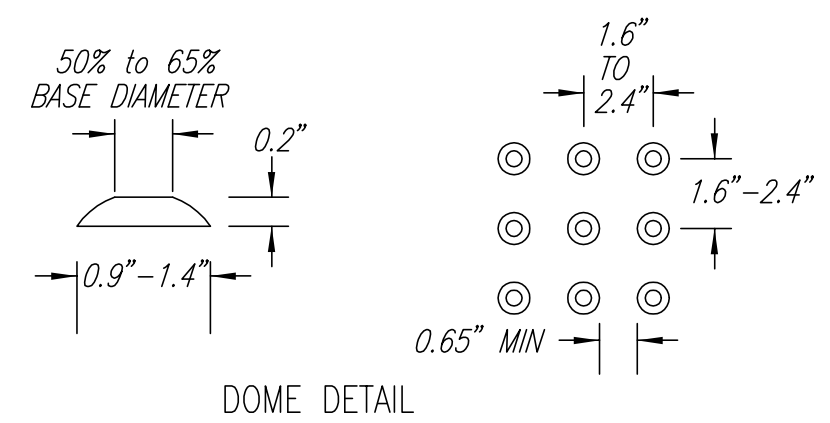
NOTE: PAVEMENT CONTRACTOR WILL BE REQUIRED TO INSTALL SDR 35, 4" PERFORATED DRAIN PIPE AND TEE AS INDICATED IN THE DETAILS ABOVE. A PIPE STUB HAS BEEN INSTALLED THROUGH WALLS OF CURB INLETS BY OTHERS IN A MANNER ALLOWING CONNECTION OF ADDITIONAL DRAIN PIPE AND TEE AS REQUIRED BY DETAILS ABOVE.

TYPE 1A INLET HOOKUP DETAILS



NOTE: RAMPS TO COMPLY WITH LATEST ADAAG GUIDELINES. PAVESTONE DETECTABLE WARNING PAVERS (OR AN APPROVED EQUAL) SHALL BE USED IN ALL WHEELCHAIR RAMPS. THE RED PAVER SHALL BE INSTALLED USING A BASKET WEAVE/PARQUET PATTERN. OTHER PATTERNS MAY BE USED WITH APPROVAL OF ENGINEER. SAND FILL JOINTS. ALIGN DOMES IN THE DIRECTION OF PEDESTRIAN TRAVEL.

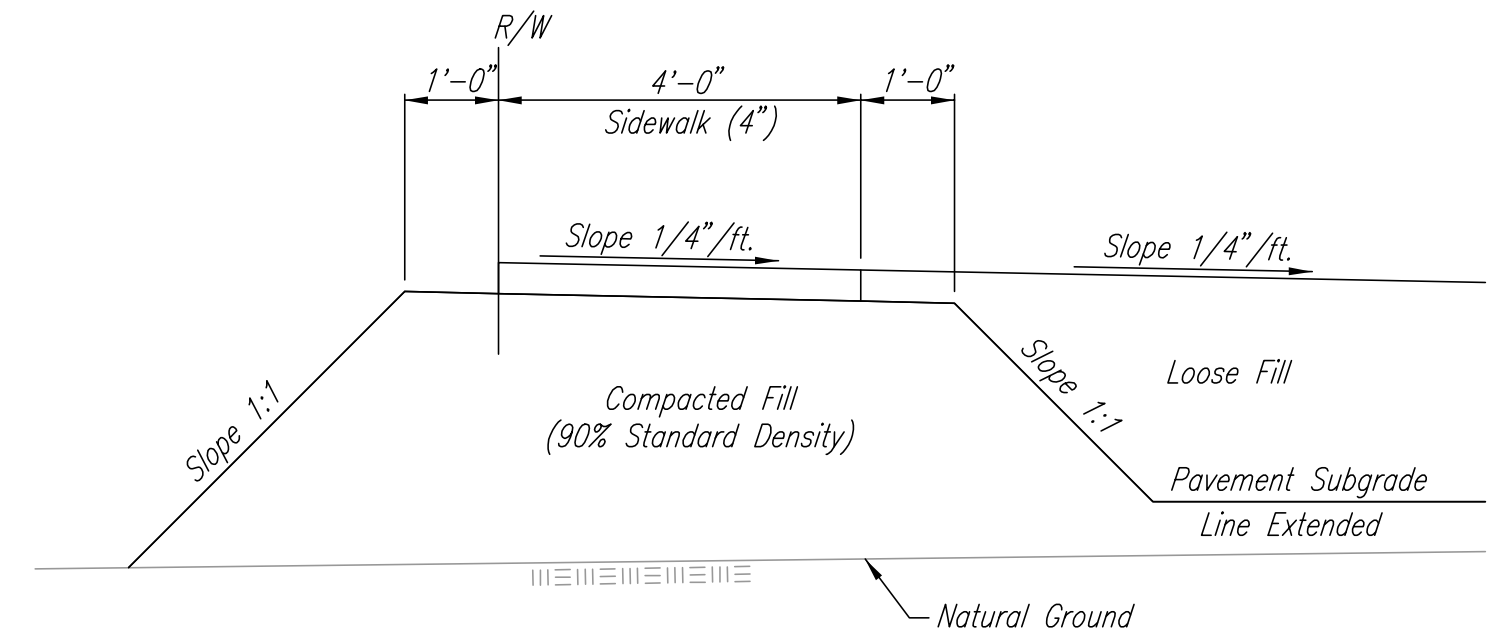
SECTION B-B



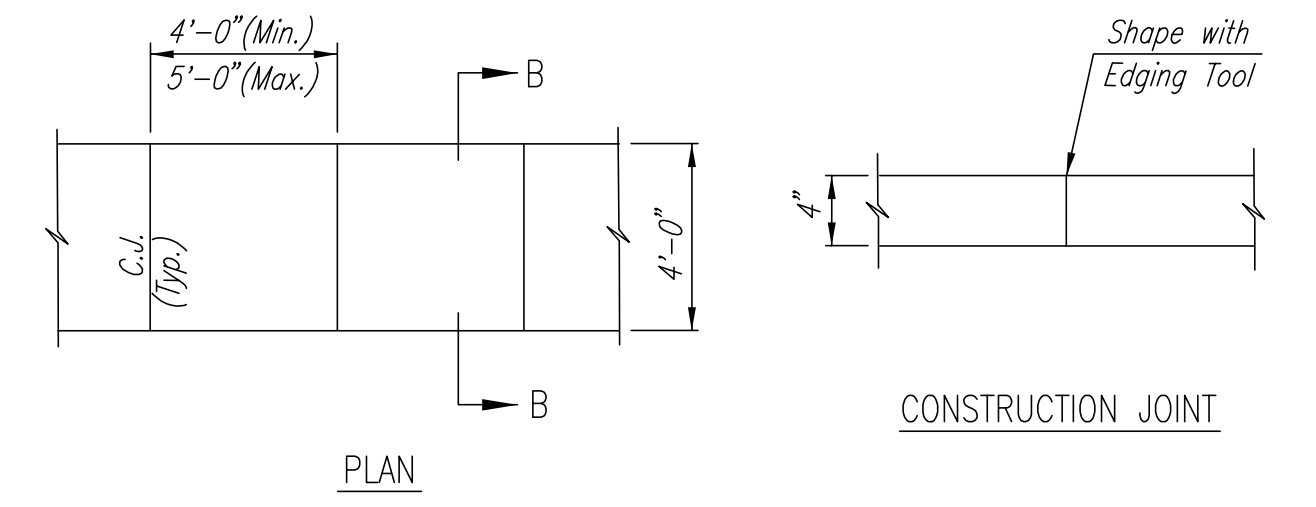
SECTION A-A

TYPICAL WHEELCHAIR RAMP DETAILS

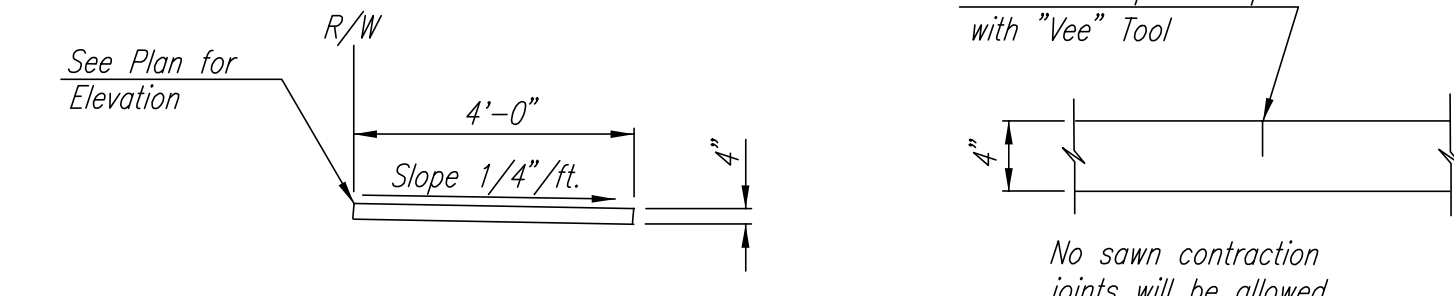
AUGUST 4, 2003



COMPACTED FILL DETAIL  
WHERE SIDEWALK IS CONSTRUCTED  
(See Plan Sheets for Locations)

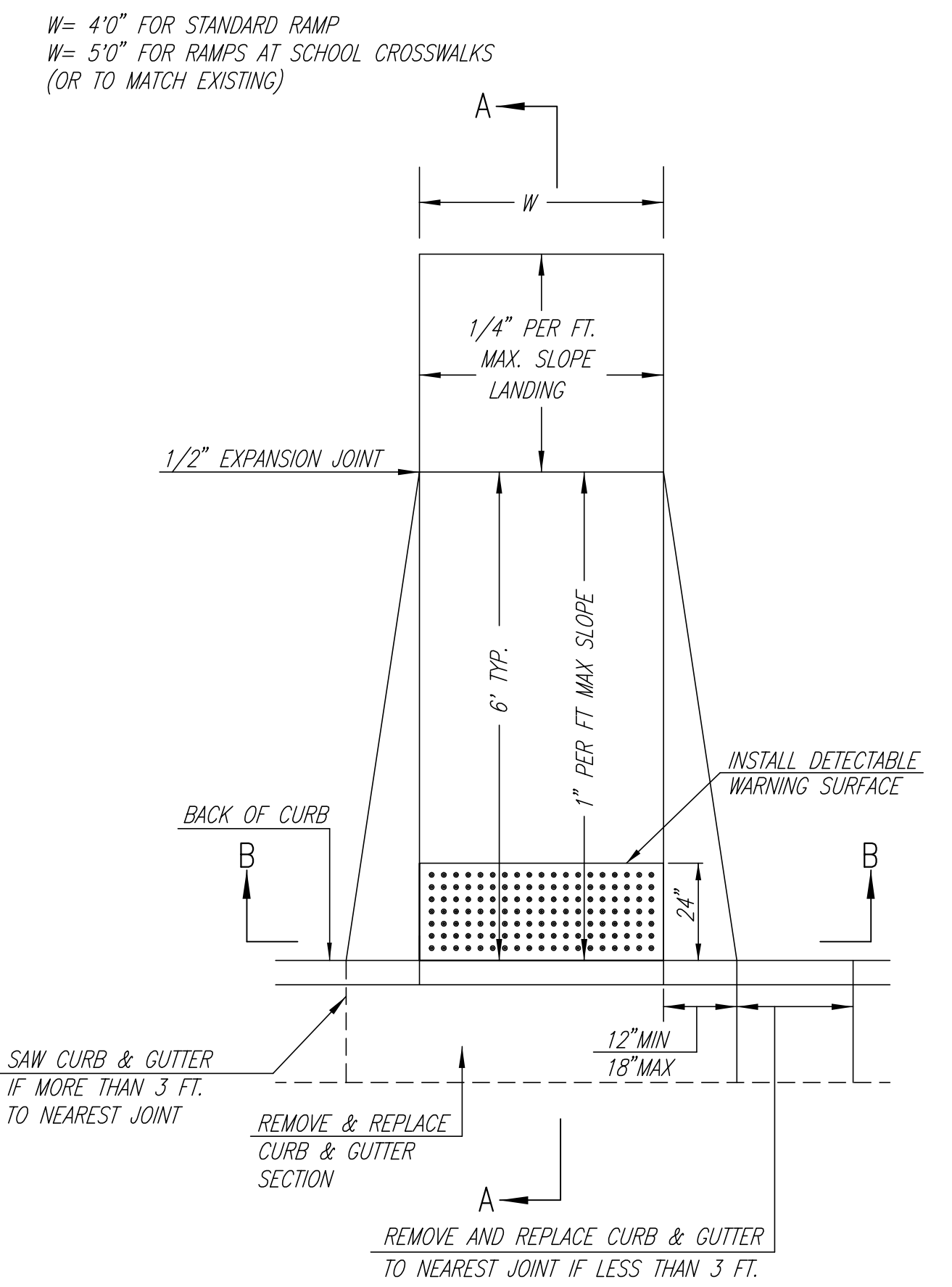


PLAN



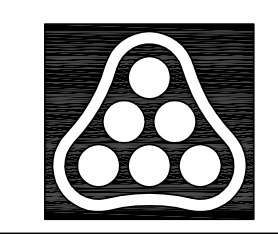
SECTION B-B

4" WALK DETAILS



(TYPE A)  
STANDARD WHEELCHAIR RAMP WITH DETECTABLE WARNING CONSTRUCTION DETAIL FOR STREETS WITH COMBINED CURB & GUTTER

DSNR: BDB OPER: BJS SCALE: 1"=10.00 01:13:12 pm 02-03-2004 01:13:12 pm



No.	Revision	By	Date
	EVERGREEN 4TH		
<b>MISCELLANEOUS PAVING DETAILS</b>			
JAMES L. ARMOUR, P.E.-ACTING CITY ENGINEER CITY OF WICHITA PROJECT NO. 472-83782			
<b>Professional Engineering Consultants, P.A.</b> 303 S. TOPEKA • WICHITA, KANSAS 67202 316-262-2691 • FAX 316-262-3003			
Designed by	BDB	Job No.	35-03123
Drawn by	BJS	Date	MARCH 2003
			Sht. 13 of 44