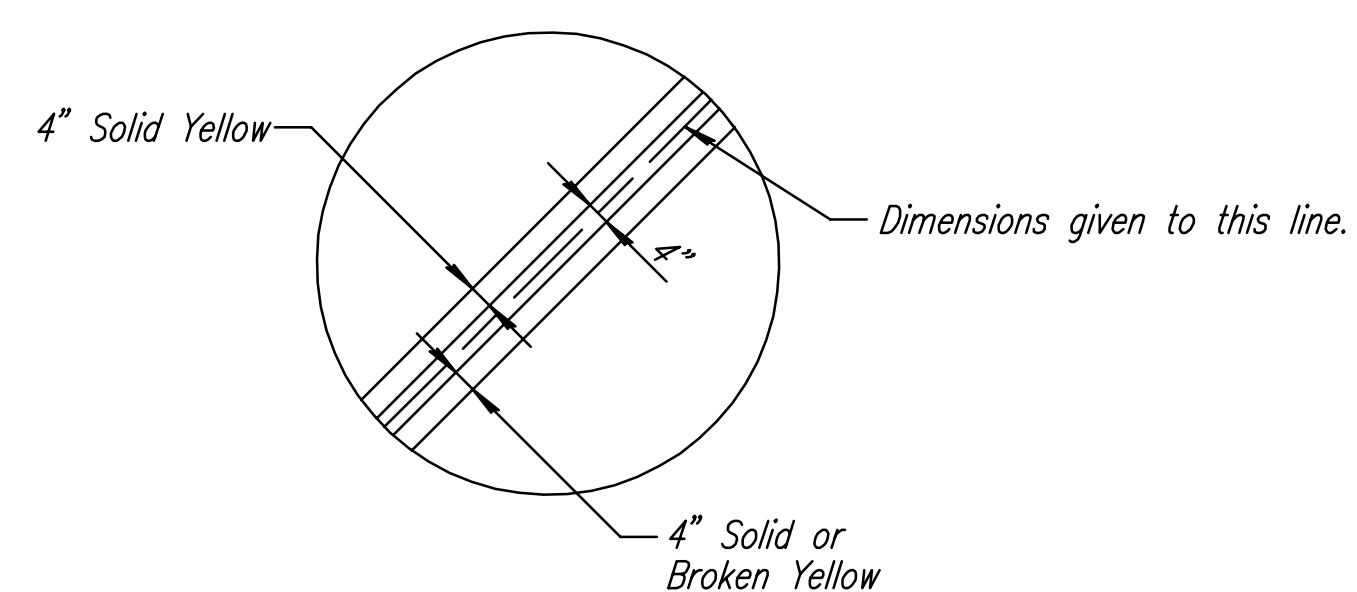
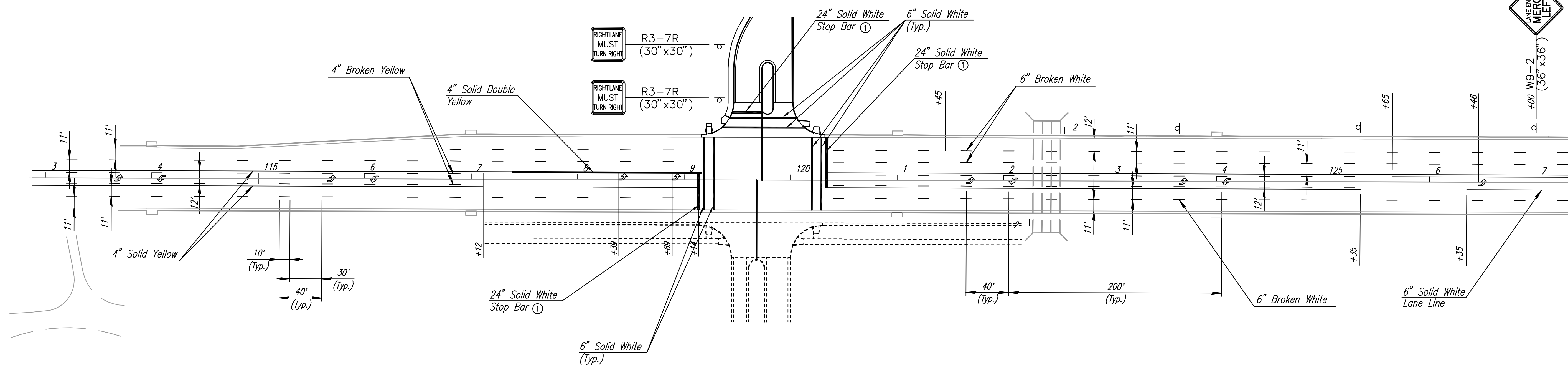
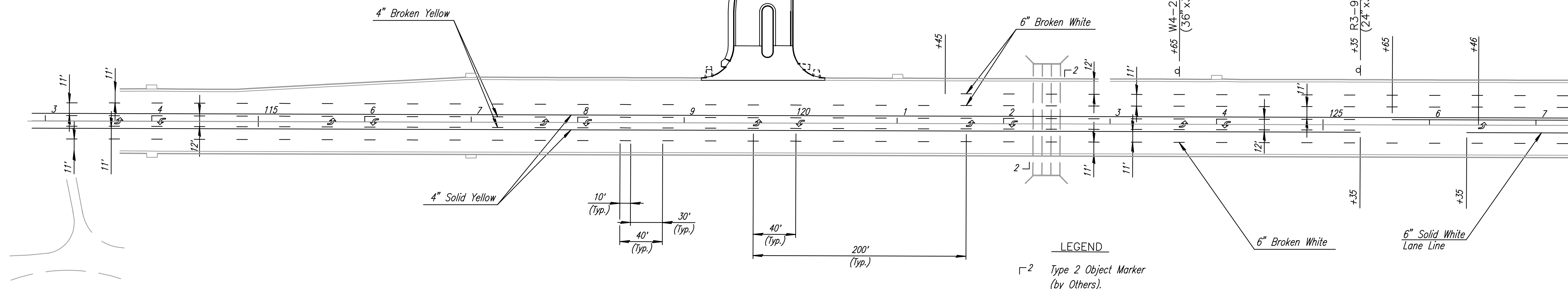


DSUR: BER OPER: SAW SCALE: 1"=50.00
 J:\SENTOUT\2004\04106\001\05-MarkingPlan 03-26-2004 11:22:24 am



DETAIL OF DOUBLE YELLOW STRIPING

SUMMARY OF PAVEMENT MARKINGS		
ITEMS	TOTAL	UNITS
PAVEMENT MARKING (THERMOPLASTIC) (WHITE) (6")	---	LIN. FT.
PAVEMENT MARKING (THERMOPLASTIC) (YELLOW) (4")	354	LIN. FT.
PAVEMENT MARKING (THERMOPLASTIC) (YELLOW) (12")	---	LIN. FT.
PAVEMENT MARKING SYMBOL (THERMOPLASTIC) (WHITE LEFT ARROWS)	2	EACH
PAVEMENT MARKING (THERMOPLASTIC) (WHITE) (12")	320	LIN. FT.
PAVEMENT MARKING (THERMOPLASTIC) (WHITE) (24")	94	LIN. FT.

FOR INFORMATION ONLY - TO BE CONSIDERED SUBSIDIARY TO TRAFFIC SIGNAL INSTALLATION.

① THE CONTRACTOR SHALL COORDINATE THE PLACEMENT OF THE 24" WHITE STOP BARS WITH THE TRAFFIC SIGNAL CONTRACTOR. THE 24" WHITE STOP BARS SHALL NOT BE PLACED UNTIL THE TRAFFIC SIGNAL IS INSTALLED AND FUNCTIONING.

GENERAL NOTES

- Striping dimensions are from centerline of stripe to centerline of stripe.
- All single line dimensions are to centerline of stripe.
- All double line dimensions are to center of space between stripes. (See Detail)
- Existing marking shall be completely removed in all areas designated to receive new markings. Removal methods shall be approved by the Engineer. Removal of existing markings shall be subsidiary.
- * All markings on Bituminous Pavement shall be Thermoplastic Pavement Marking except as noted below.
- ** All symbols and all markings on Concrete Pavement shall be Heat-fused Preformed Thermoplastic Pavement Marking.
- Heat-fused Preformed Thermoplastic Pavement Marking placed over a joint line in concrete pavement shall be sliced and removed along the joint edges after placement.

No.	Revision	By	Date
CITY OF WICHITA, KANSAS JAMES L. ARMOUR, P.E. - ACTING CITY ENGINEER 21ST STREET NORTH AND REGENCY LAKES MARKING PLAN CITY OF WICHITA PROJECT NO. 472-83954 Professional Engineering Consultants, P.A. 303 S. TOPEKA • WICHITA, KANSAS 67202 316-262-2691 • FAX 316-262-3003			
Designed by	BER	Job No.	04106-001
Drawn by	SAW	Date	MARCH 2004
			Sht. 5 of 8

Scale: 1"=50'