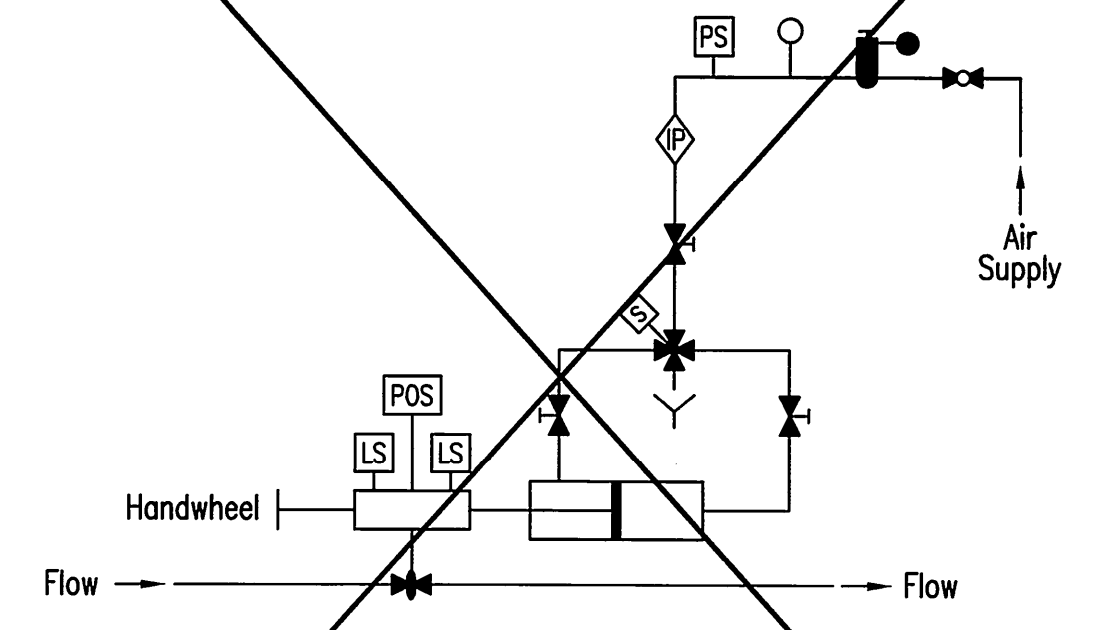


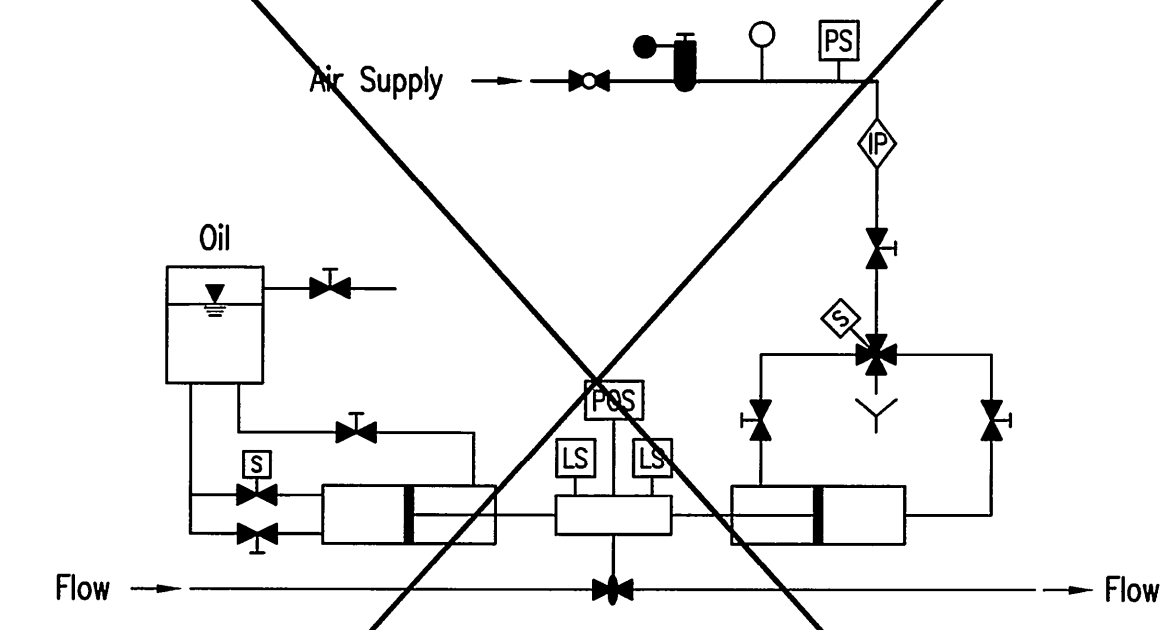
VALVE OPERATOR - TYPE 1  
(PNEUMATIC)

\*MANUAL HANDWHEEL OVERRIDE REQUIRED\*



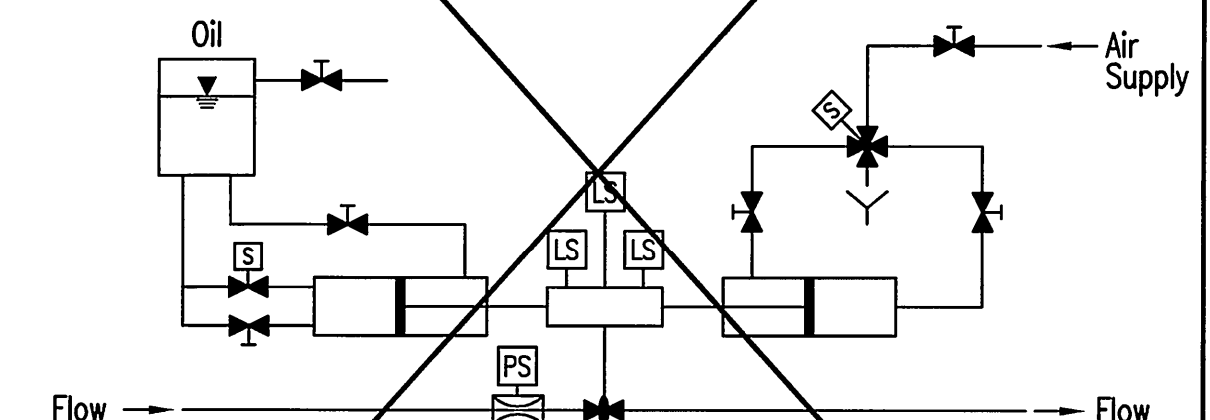
VALVE OPERATOR - TYPE 2  
(PNEUMATIC)

\*MANUAL HANDWHEEL OVERRIDE REQUIRED\*



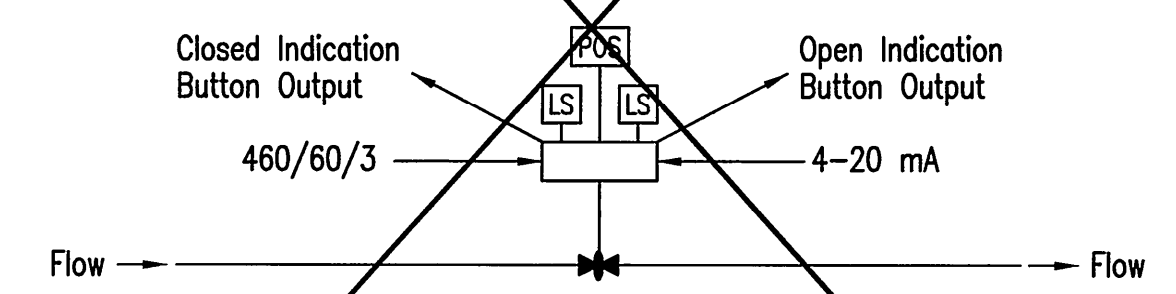
VALVE OPERATOR - TYPE 3  
(PNEUMATIC/OIL)

\*MANUAL HANDWHEEL OVERRIDE REQUIRED\*



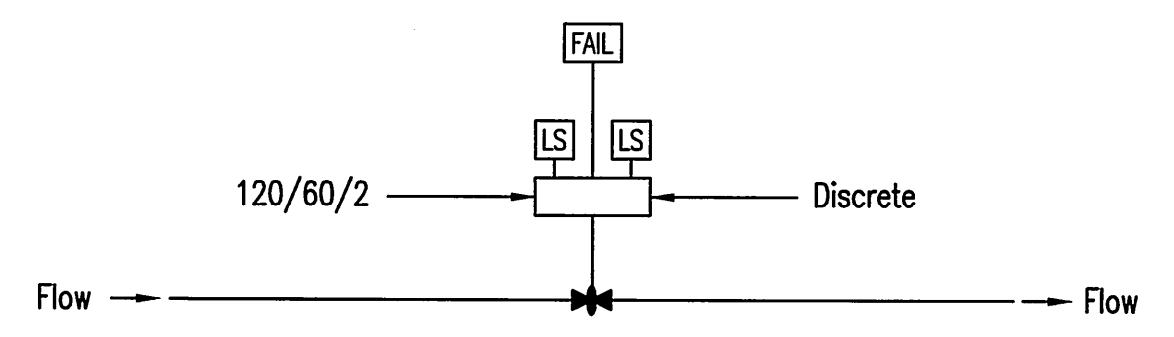
VALVE OPERATOR - TYPE 4  
(PNEUMATIC/OIL)

\*MANUAL HANDWHEEL OVERRIDE REQUIRED\*



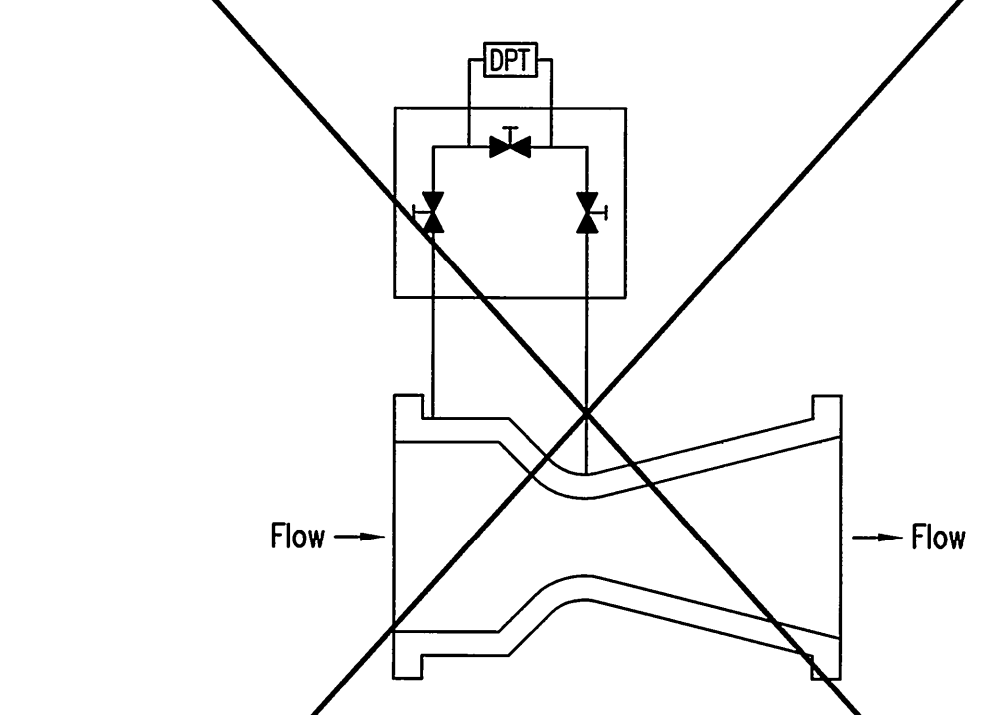
VALVE OPERATOR - TYPE 5  
(ELECTRIC)

\*MANUAL HANDWHEEL OVERRIDE REQUIRED\*

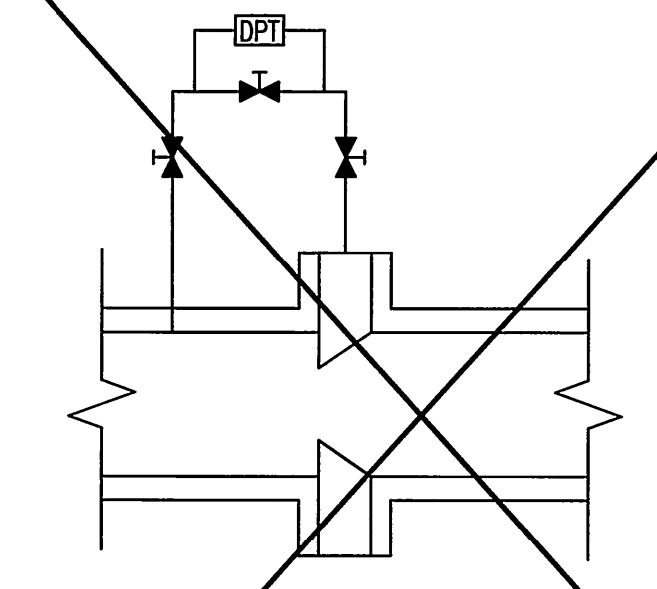


VALVE OPERATOR - TYPE 6  
(ELECTRIC)

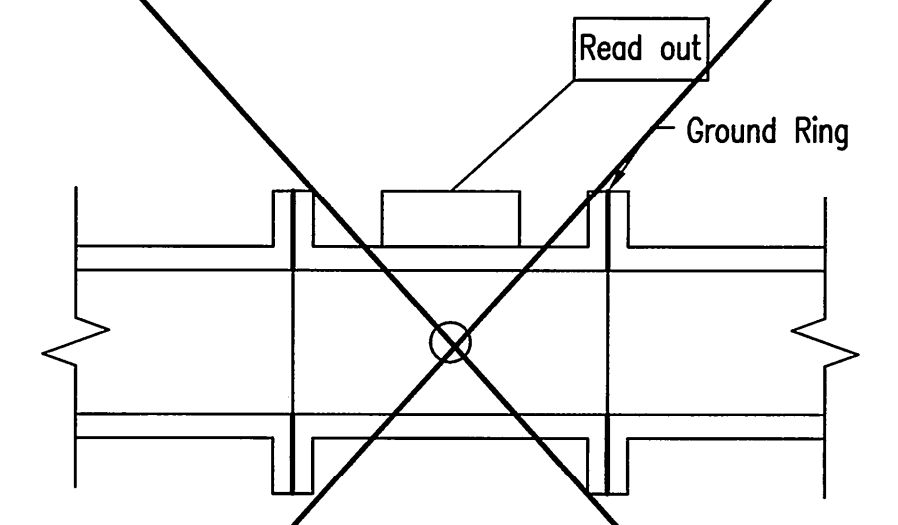
\*MANUAL HANDWHEEL OVERRIDE REQUIRED\*



FLOW METER - TYPE 1  
(FLOW TUBE)



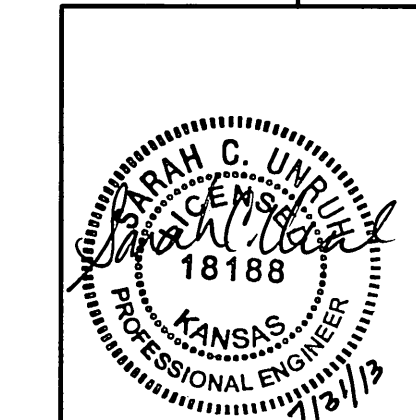
FLOW METER - TYPE 2  
ORIFICE PLATE



FLOW METER - TYPE 3  
MAG METER

- LEGEND**
- PRESSURE REGULATOR WITH GAUGE
  - 4-WAY SOLENOID VALVE
  - BALL VALVE
  - BUTTERFLY VALVE
  - GATE VALVE
  - NEEDLE VALVE
  - PRESSURE SWITCH
  - DIFFERENTIAL PRESSURE TRANSMITTER
  - CYLINDER
  - PRESSURE GAUGE
  - FLOOR DRAIN
  - LIMIT SWITCH
  - I TO P CONVERTER
  - PRESSURE ISOLATION DIAPHRAGM
  - POSITIONER
  - TWO-WAY SOLENOID VALVE
  - FLOW TUBE

Saved: 02-05-2013 15:10:11 PM by GJM  
 Project: 11-2011 84524  
 03/2011/1123/1123-PSI Equipment 1260



No.	Revision	By	Date

SEDGWICK COUNTY RURAL WATER DISTRICT #1  
 WATER DISTRIBUTION SYSTEM IMPROVEMENTS  
**PROCESS AND INSTRUMENTATION DIAGRAM EQUIPMENT**  
 GARY JANZEN, P.E. - CITY ENGINEER  
 CITY OF WICHITA PROJECT NO. 448-90565

**PEC** PROFESSIONAL ENGINEERING CONSULTANTS, P.A.  
 303 SOUTH TOPEKA WICHITA, KS 67202  
 316-262-2691 www.pec1.com

Designed by	SCU	Job No.	34-11123	Sht. PS5 of 24
Drawn by	CAE	Date	JULY 2013	