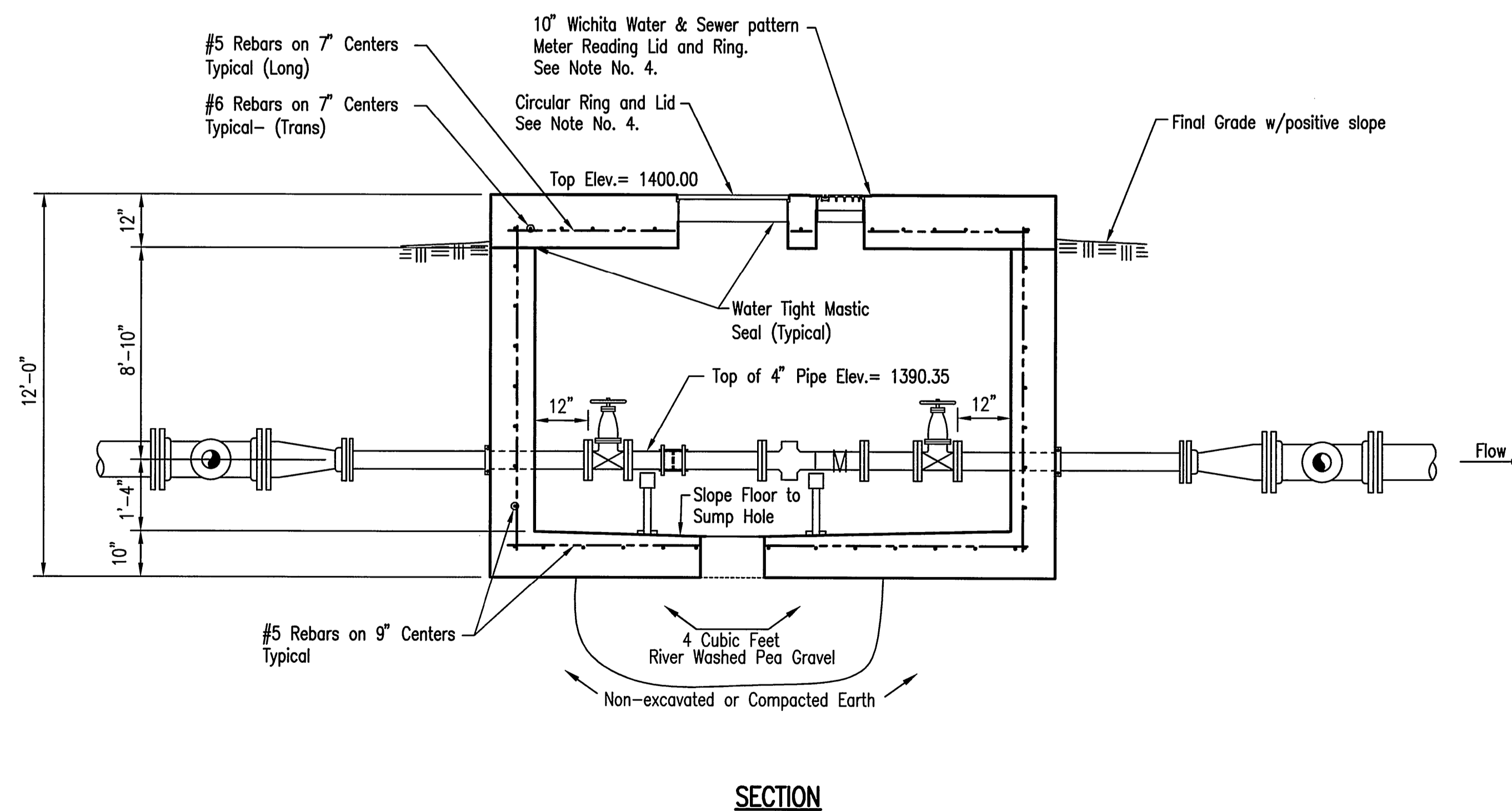
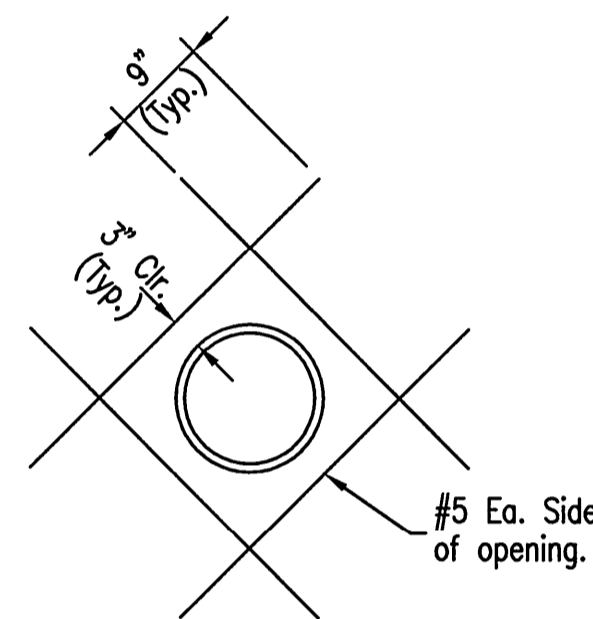
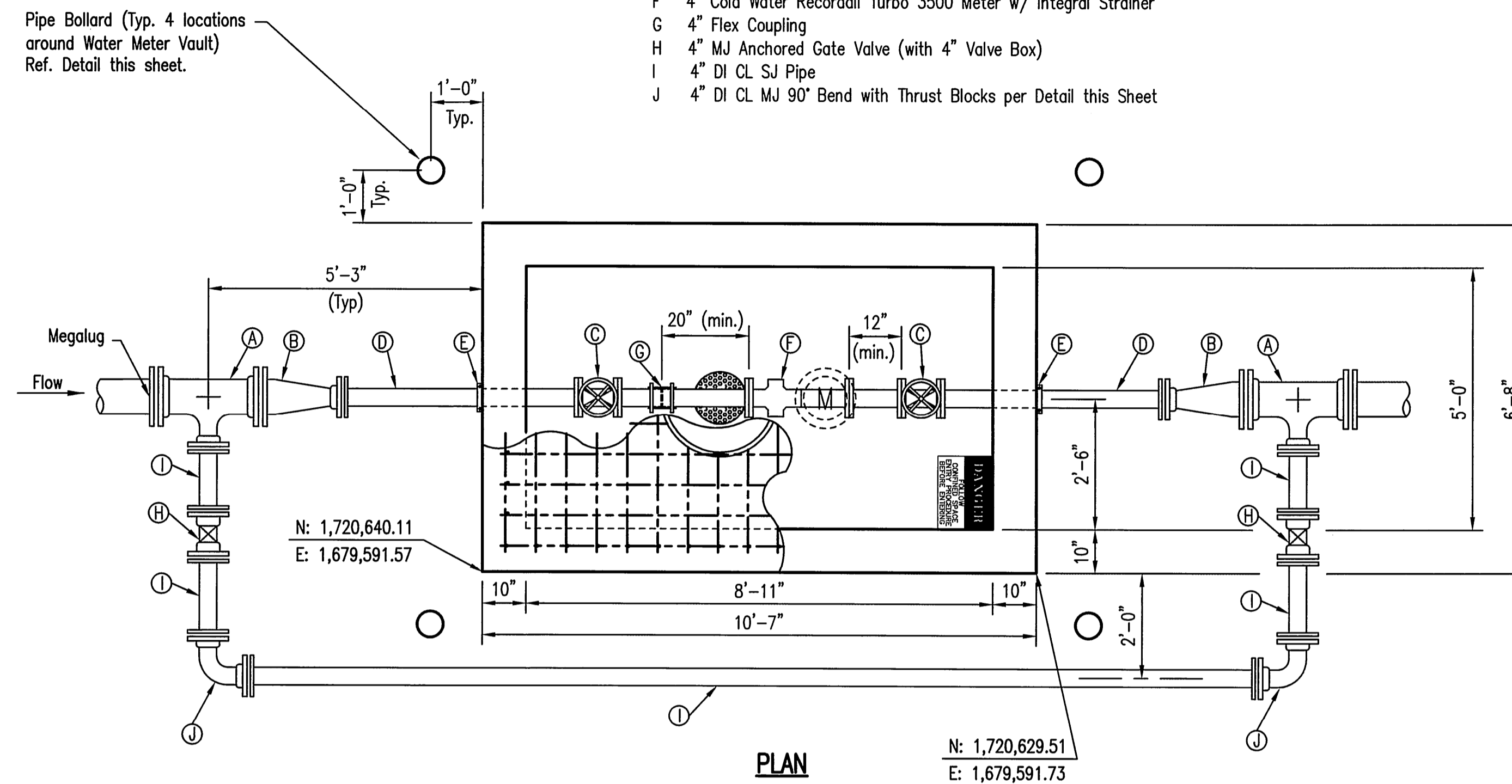


GENERAL NOTES

- CITY OF WICHITA WILL PROVIDE 4" METER. CONTACT KERRY GIBSON AT (316)858-7700 FOR PICK UP/DELIVERY AND INSTALLATION INFORMATION.
- THE VAULT SHALL BE POURED CONCRETE OR APPROVED PRECAST STRUCTURE (SUCH AS CLUTTER INC. VAULTS APPROVED 8/1/2000). THE INTENT OF THESE DETAILS SHALL NOT BE LIMITED BY DRAWINGS OR STANDARDS OF PRECAST STRUCTURES.
- VAULT LOCATION TO BE DETERMINED BY WICHITA WATER & SEWER PRIOR TO CONSTRUCTION AND APPROVED BY DEPARTMENT'S FIELD SUPERVISOR PRIOR TO INSTALLATION. A FINAL INSPECTION WILL BE REQUIRED FOR ACCEPTANCE. VAULT LOCATION STANDARDS INCLUDE BUT NOT LIMITED TO: NOT TO BE LOCATED WHERE SUBJECT TO VEHICULAR LOADS, NOT TO BE LOCATED IN ANY RIGHT-OF-WAY OR UTILITY EASEMENT, AND MUST BE LOCATED ON THE PROPERTY BEING SERVED.
- THE MANHOLE RING AND LID SHALL BE NEENAH R-6034 FRAME WITH TYPE "C" SOLID LID AND DROP DOWN HANDLE OR US FOUNDRY APS-30X30 (ALUMINUM). WHERE APPLICABLE THE STANDARD 10" WICHITA WATER & SEWER PATTERN METER READING LID AND RING SHALL BE LOCATED DIRECTLY ABOVE WATER METER REGISTER. ALL METER REGISTERS SHALL HAVE AN APPROVED LID DIRECTLY VERTICAL ABOVE. ALL JOINTS OF CONCRETE TO CONCRETE OR METAL TO CONCRETE IN THE CONSTRUCTION OF THE VAULT SHALL HAVE AN APPROVED WATER TIGHT MASTIC JOINT SEAL. THE VAULT TOP SHALL BE SEALED ON AN APPROVED BUTYL-RUBBER SEALANT TO PROVIDE A WATERTIGHT SEAL.
- FOR ALL SERVICES LARGER THAN 2" THE CONTRACTOR SHALL PROVIDE AN OUTLET FLANGE CONNECTION AS SHOWN 12-INCHES FROM THE INSIDE WALL. INLET AND OUTLET WALL SLEEVES SHALL BE PROVIDED AND INSTALLED BY THE CONTRACTOR AND SHALL BE IN ALIGNMENT WITH ONE ANOTHER. THE INLET AND OUTLET PIPE SHALL BE DUCTILE IRON PIPE, CEMENT LINED, CLASS 150 PER STANDARD SPECIFICATIONS AND SHALL BE CONTINUOUS THROUGH VAULT WALL AND JOINT NO LESS THAN TWO(2) FEET FROM THE EXTERIOR WALL OF VAULT. FLANGES OF INLET AND OUTLET PIPES SHALL BE IN PROPER ALIGNMENT AND BOLT PATTERN SHALL BE ROTATED IN SUCH A WAY THAT VALVES AND OTHER FITTINGS SHALL BE IN THEIR PROPER VERTICAL ALIGNMENT WHEN INSTALLED.
- FOR ALL SERVICES 4" AND LARGER THE CONTRACTOR SHALL INSTALL A MEGA LUG, RESTRAINED JOINT, OR APPROVED EQUAL ON THE EXTERIOR WALLS OF THE VAULT, WHICH SHALL BE MANUFACTURED OF DUCTILE IRON CONFORMING TO ASTM A 536-80, HEAT TREATED TO A MINIMUM HARDNESS OF 370 BHN AND HAVE A WORKING PRESSURE OF AT LEAST 250 P.S.I. FOR ALL SERVICES SMALLER THAN 4" THE CONTRACTOR SHALL INSTALL AN APPROVED VAULT CLAMP ON THE EXTERIOR WALLS OF THE VAULT.
- ALL VALVES, METERS, ASSEMBLIES, AND FITTINGS SHALL BE PROVIDED WITH SUFFICIENT CONCRETE OR OTHER APPROVED SUPPORTS TO THE VAULT FLOOR. ANY FITTINGS OR APPURTENANCES REQUIRED TO ACHIEVE PROPER ELEVATION OF PIPE THROUGH THE VAULT SHALL BE PROVIDED BY THE CONTRACTOR AND APPROPRIATELY NOTED ON AS-BUILTS SUBMITTED BY THE INSPECTING ENGINEER. SUCH FITTINGS SHALL BE A MINIMUM OF 2' FROM THE EXTERIOR WALL OF VAULT.
- THE "CONFINED SPACE WARNING" SIGN SHALL BE FASTENED TO THE TOP OF ALL VAULTS. IF NECESSARY FOR LANDSCAPING OR SITE CONSIDERATIONS, THE SIGN MAY BE FASTENED TO THE VAULT LID IF IT DOES NOT IMPEDE ACCESS TO THE HANDLE. ACCEPTABLE MATERIALS: ALUMINUM 73415HH, PLASTIC 73439HH, OR S.A. VINYL 73463HH.
- THE CONTRACTOR SHALL COORDINATE WITH WESTAR TO EXTEND ELECTRICAL SERVICE TO THE SITE. CONTRACTOR SHALL VERIFY THE ELECTRICAL REQUIREMENTS THAT WILL BE PROVIDED BY WESTAR ALL COSTS AND MATERIALS ASSOCIATED WITH THE EXTENSION OF UTILITY IN THE LUMP SUM PRICE BID FOR "WATER METER VAULT."
- ALL BURIED TEES SHALL BE KEY BLOCKED.

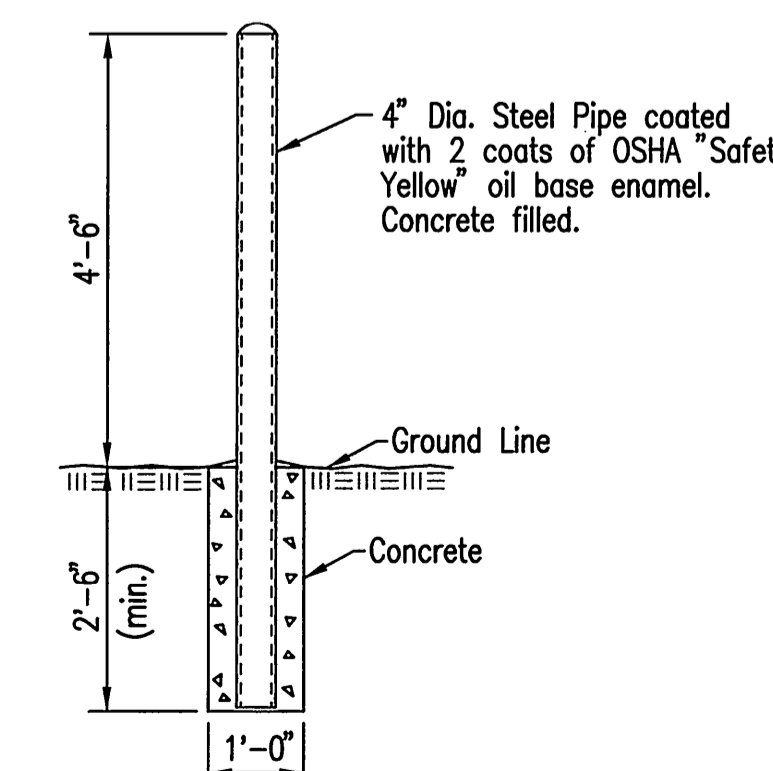
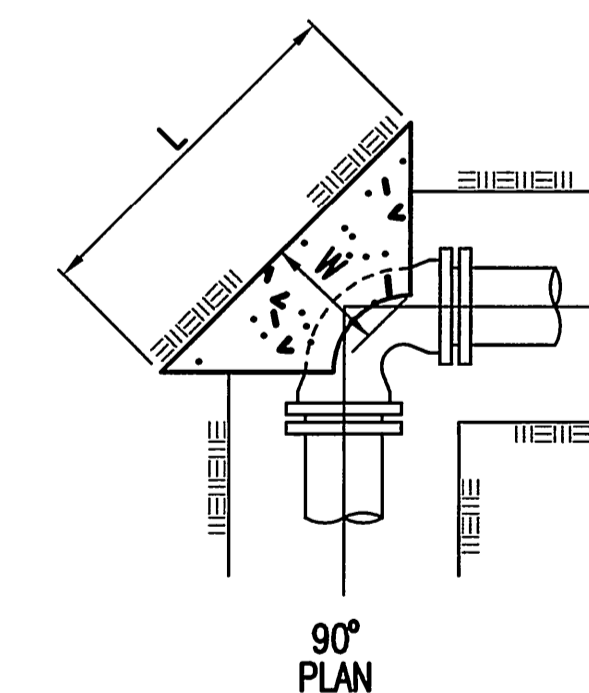
- A 8" x 4" CI CL MJ Anchored Tee
- B 8" x 4" CI CL MJ Reducer (PE x MJ)
- C 4" Flange Non-rising Stem Gate Wheel Valve
- D 4" DI CL Pipe
- E 4" Megalug Pipe Restraint/Wall Clamp
- F 4" Cold Water Recordall Turbo 3500 Meter w/ Integral Strainer
- G 4" Flex Coupling
- H 4" MJ Anchored Gate Valve (with 4" Valve Box)
- I 4" DI CL SJ Pipe
- J 4" DI CL MJ 90° Bend with Thrust Blocks per Detail this Sheet

SCALE: 1" = 2'



4" SERVICE WITH 4" METER AND 4" BYPASS DETAIL

THRUST BLOCK SCHEDULE					
LINE SIZE	FITTINGS & ANGLE	DIM. L (FEET)	DIM. H (FEET)	DIM. W (FEET)	PRESSURE (PSI)
4"	90°	1'-3"	1'-3"	1'-0"	100



	Revision		By	Date
	SEDGWICK COUNTY RURAL WATER DISTRICT #1 WATER DISTRIBUTION SYSTEM IMPROVEMENTS WATER METER VAULT DETAILS GARY JANZEN, P.E. - CITY ENGINEER CITY OF WICHITA PROJECT NO. 448-90565			
	PROFESSIONAL ENGINEERING CONSULTANTS, P.A. 303 SOUTH TOPEKA WICHITA, KS 67202 316-262-2691 www.pect.com			
	Designed by	SCU	Job No.	34-11123
Drawn by	CAE	Date	JULY 2013	Sht. PD1 of 24