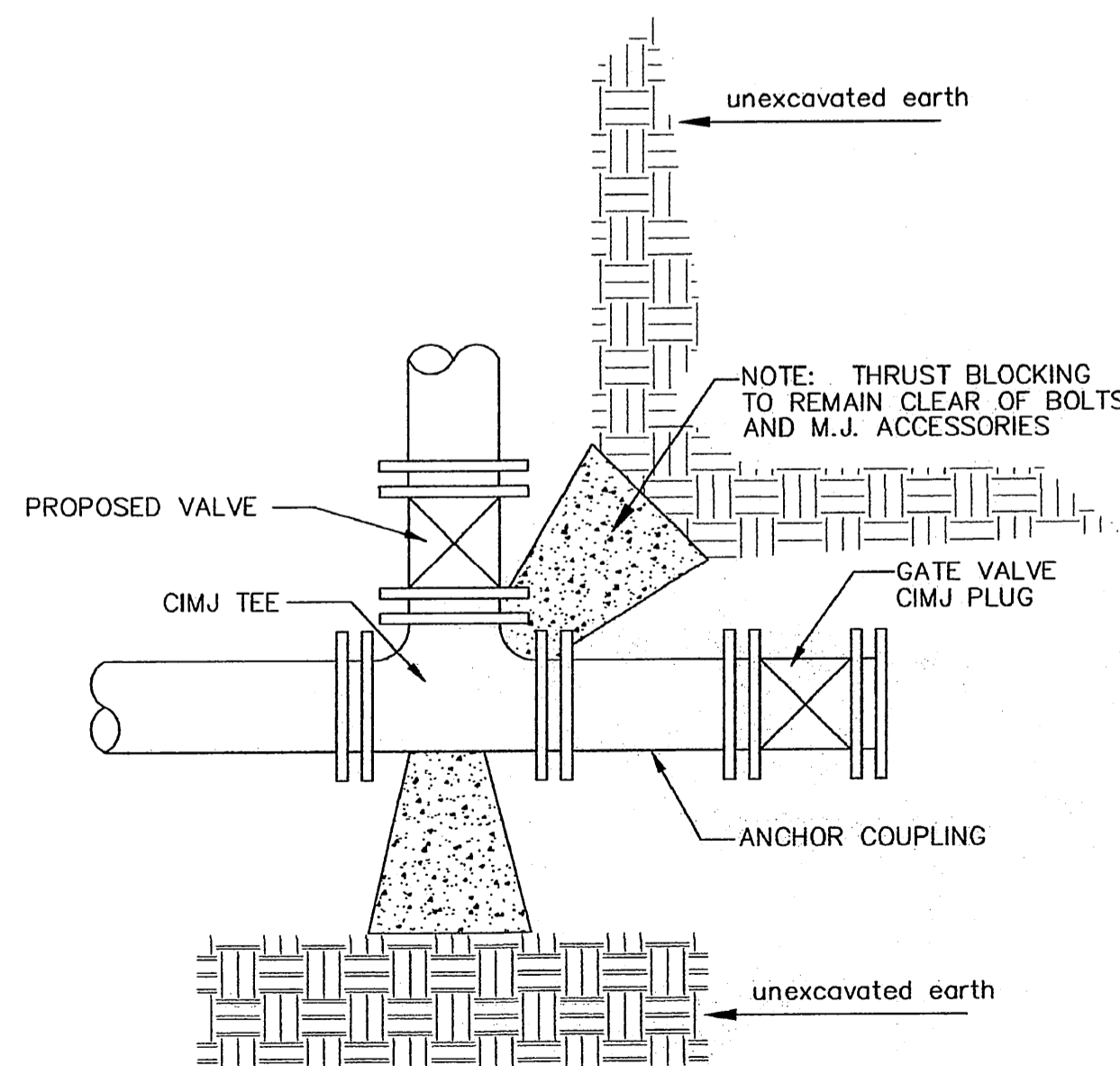
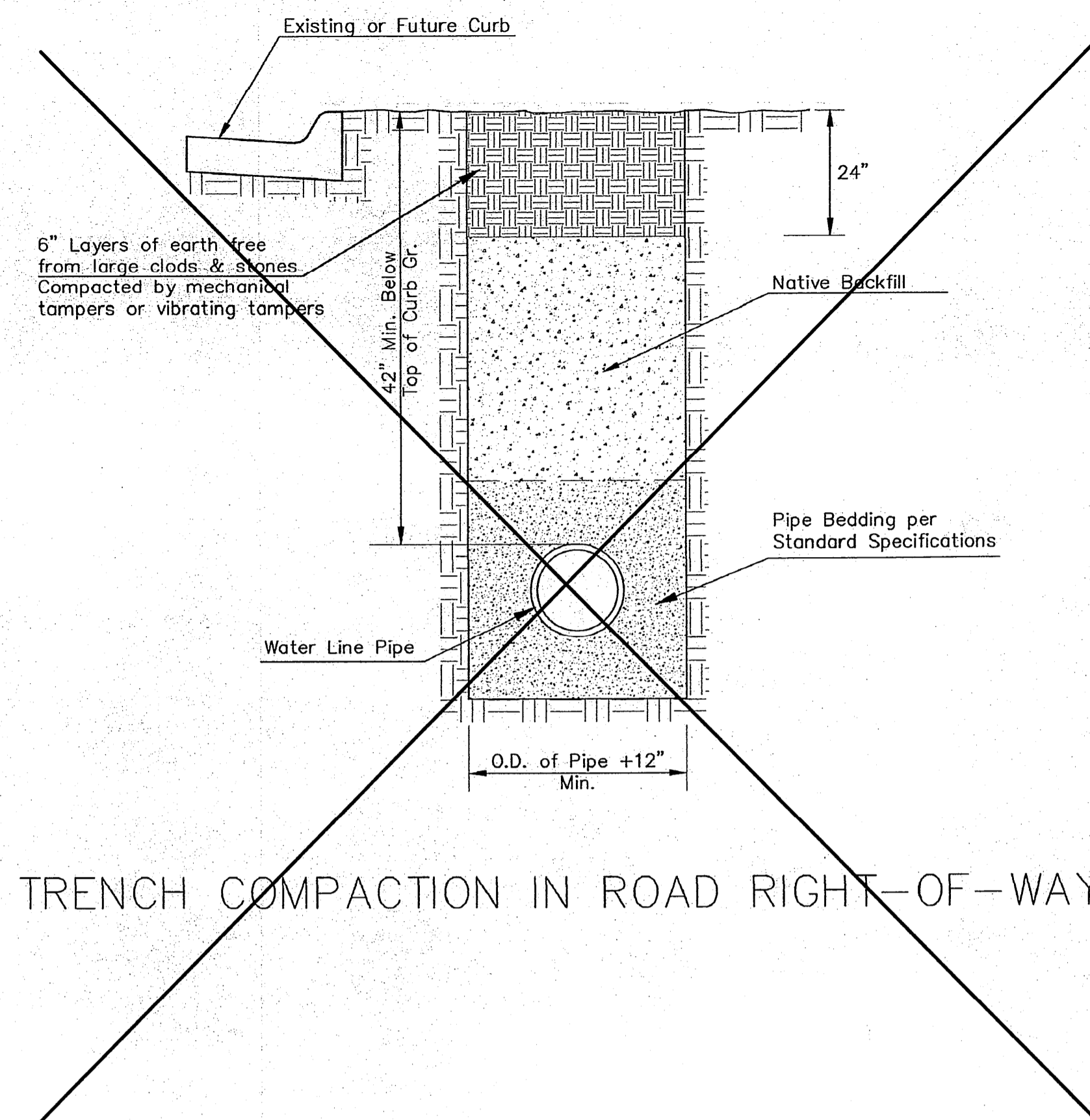


PIPE SIZE	THRUST AT FITTINGS IN TONS—AT 150#/IN <sup>2</sup> P					
	PLUG	90°	45°	22 1/2°	11 1/4°	TEE
6"	2.8	3.95	2.15	1.09	.55	2.8
8"	4.9	6.95	3.75	1.90	.96	4.9
12"	11.4	16.1	8.75	4.45	2.25	11.4
16"	20.15	28.5	15.4	7.85	3.95	20.15
20"	31.15	44.0	23.85	12.15	6.10	31.15
24"	44.55	63.0	34.1	17.4	8.75	44.55

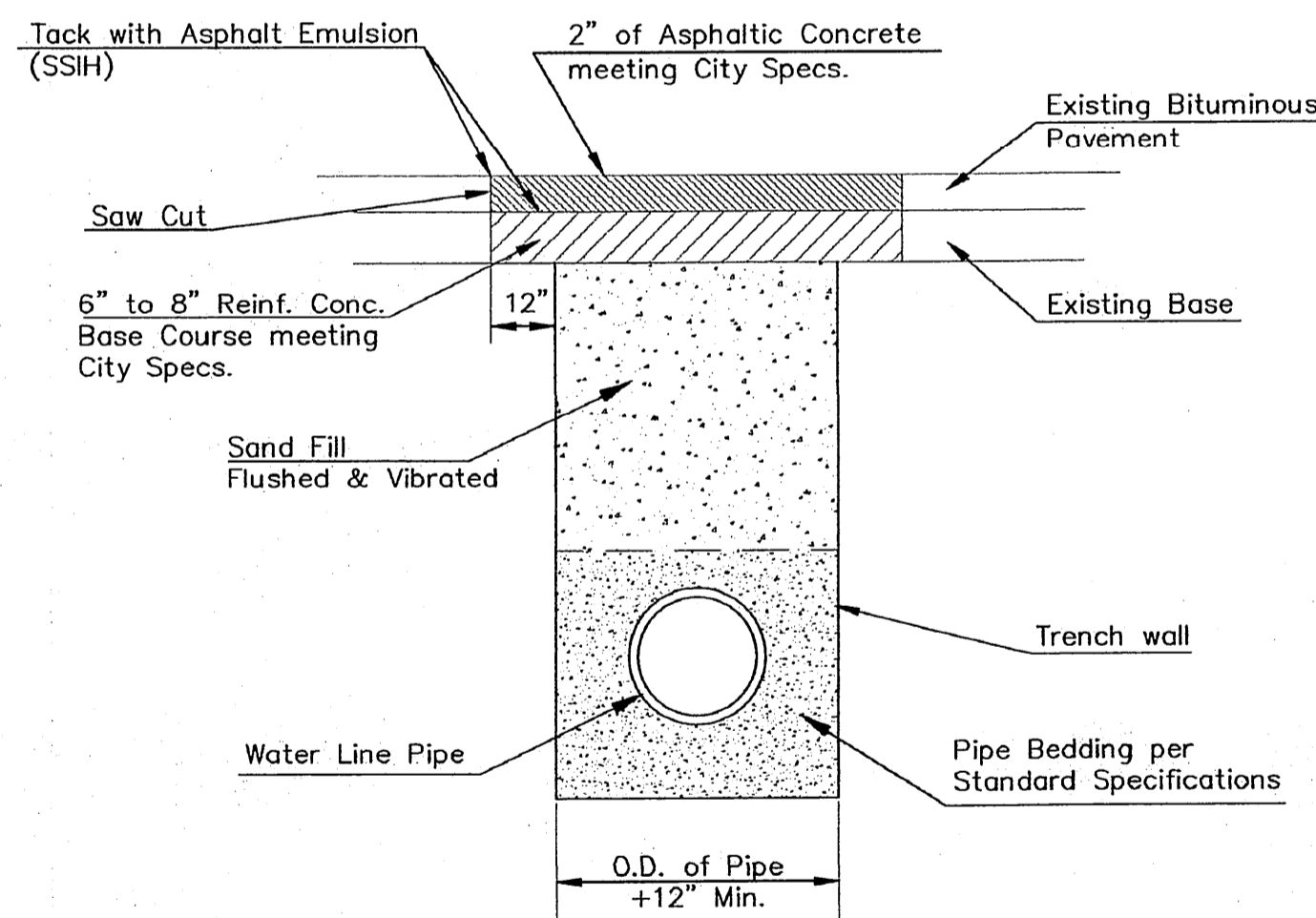
TYPICAL THRUST BLOCKS



KEY BLOCK DETAIL

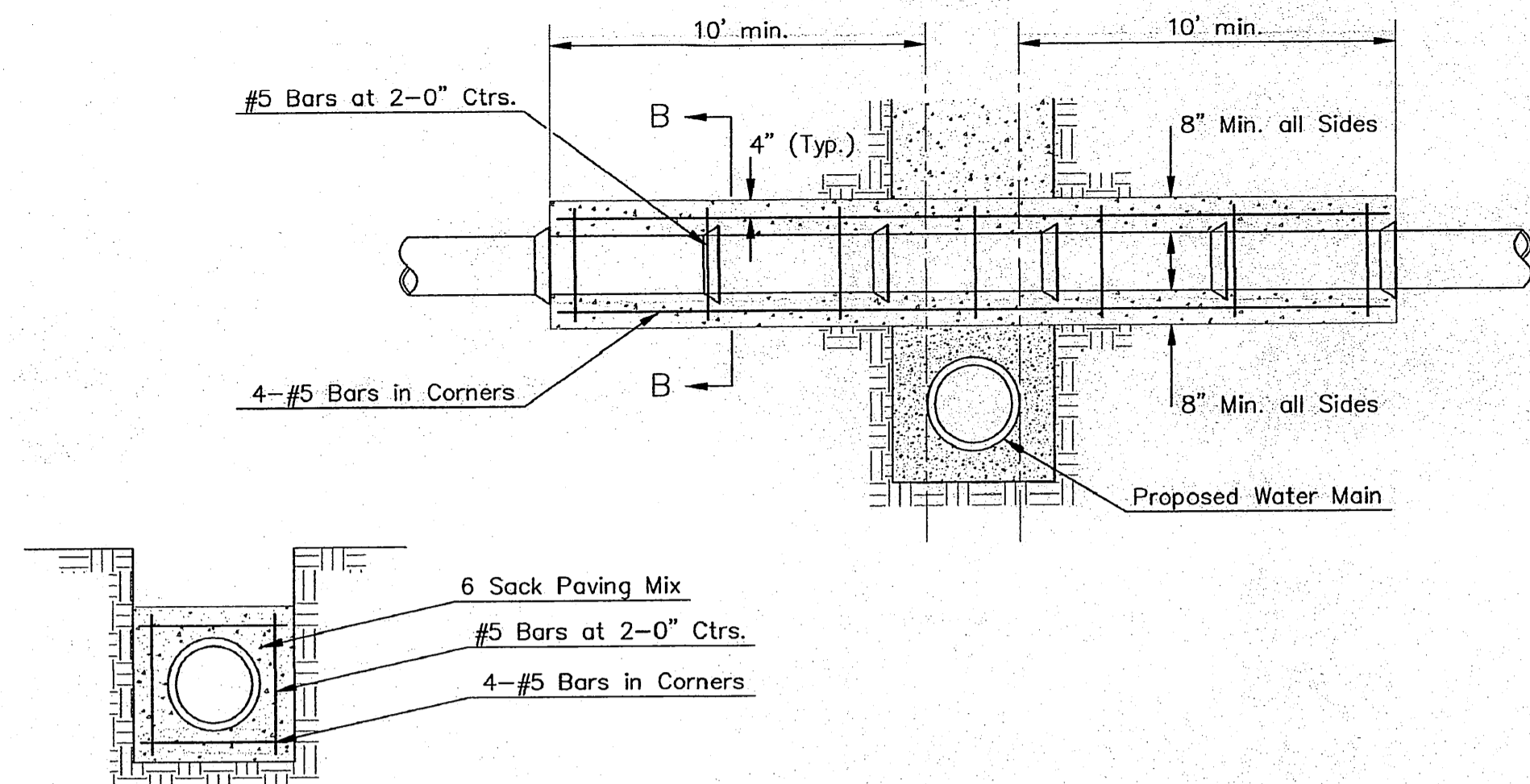


TRENCH COMPACTION IN ROAD RIGHT-OF-WAY



PAVEMENT REPLACEMENT & TRENCH COMPACTION UNDER EXISTING AND PROPOSED CITY ROADS

\* PLANS GOVERN UNLESS OTHERWISE NOTED ON PLANS

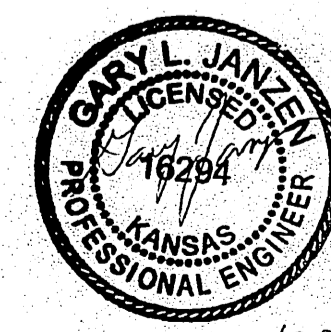


SECTION B-B

REINFORCED CONCRETE ENCASEMENT OF SANITARY SEWER

Note: Encasement to begin and end at a Bell on Sanitary Sewer Pipe.

Saved 07-08-2013 8:57:16 AM by GJM  
 Plot Scale 1:1 07-31-2013 8:19:29 AM by GJM  
 G:\2011\1123\1123-P08-Miscellaneous Water Details



04/22/13

CITY OF WICHITA

PUBLIC WORKS & UTILITIES ENGINEERING DIVISION

<b>MISCELLANEOUS WATER DETAILS</b>		
CITY ENGINEER <b>GARY JANZEN, P.E.</b>		
PROJECT NUMBER 448-90565	OCA NUMBER 633813	DATE 04/2013
CITY ENGINEER'S OFFICE CITY HALL - SEVENTH FLOOR 455 NORTH MAIN STREET WICHITA, KANSAS 67202-1620 (316) 268-4501		SHEET <b>PD8 of 24</b>