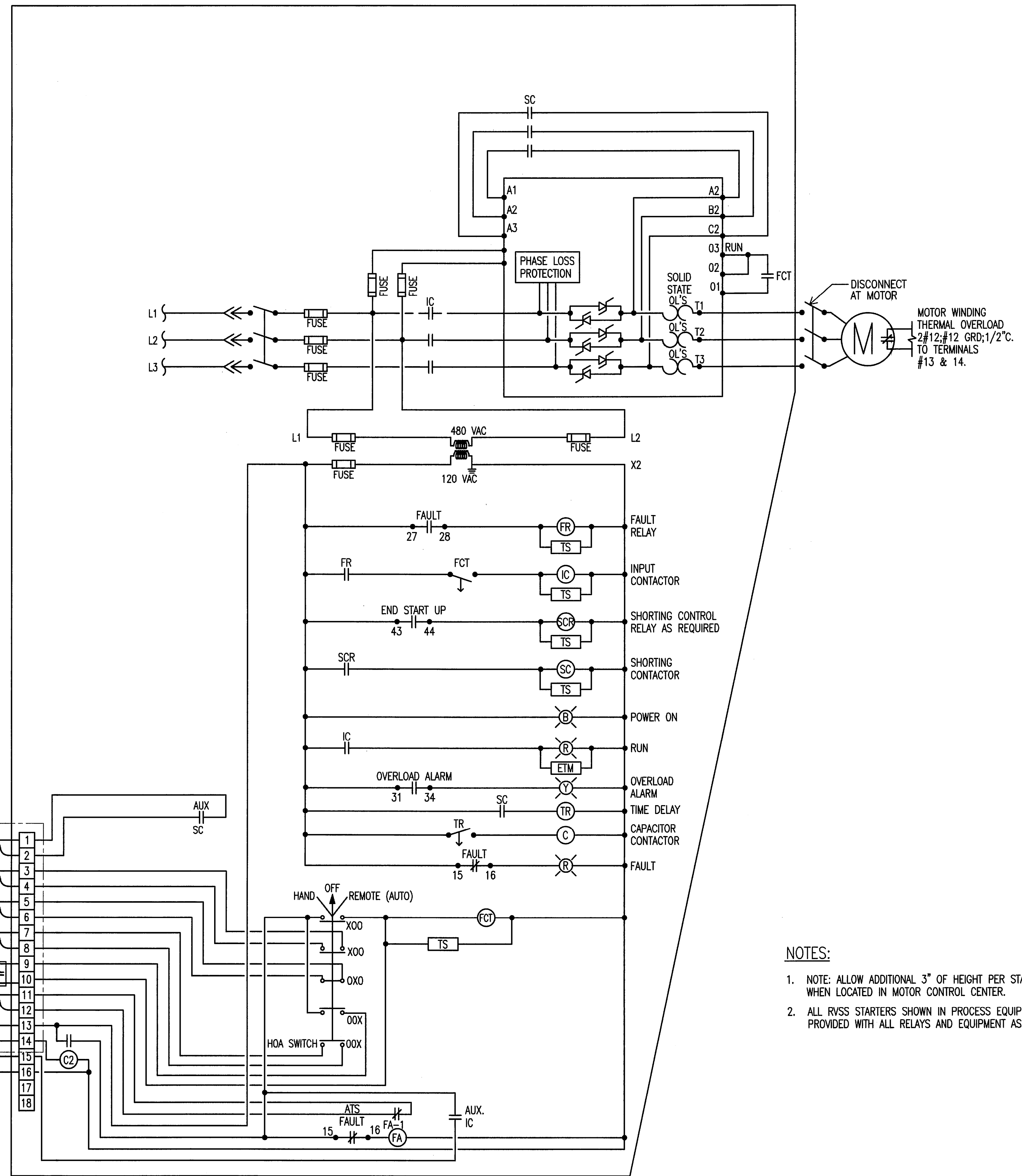
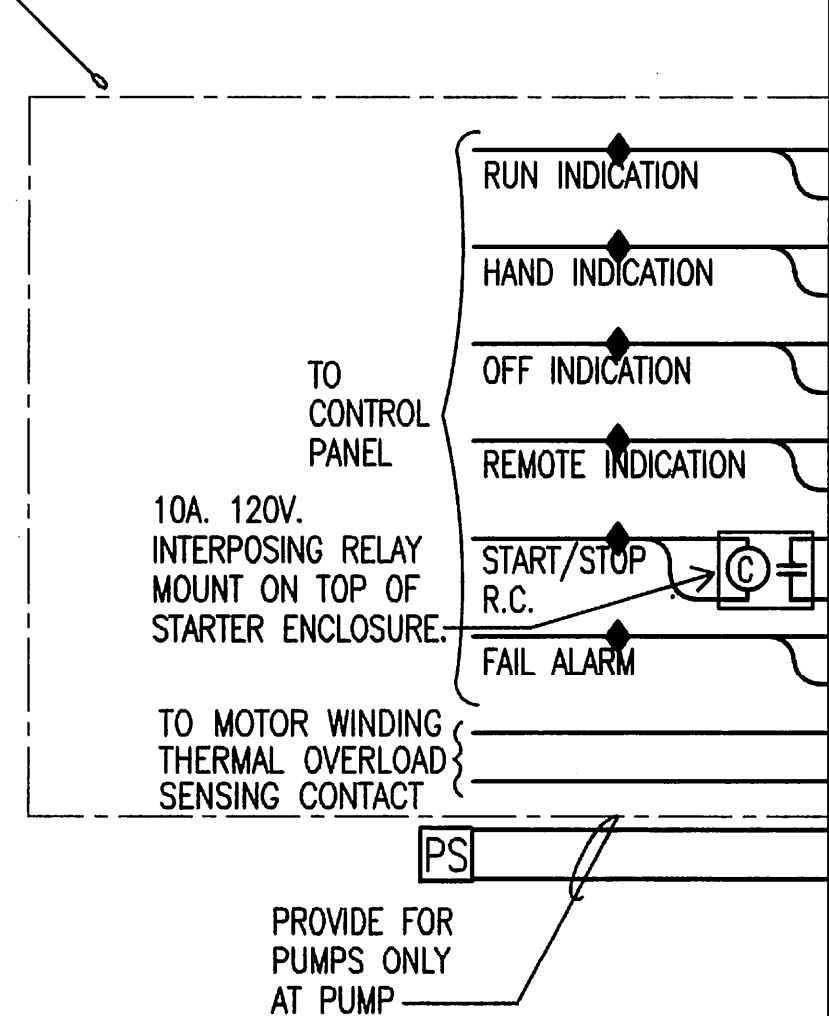


Save 07-10-2013 5:46:43 PM by ADM
 Plot Scale 1:98 07-31-2013 12:26:50 PM by CAY
 E:\2011\1123\1123-E1-3-Elec Wiring Diagram

WHERE RVSS STARTERS ARE PROVIDED AS PART OF A MOTOR CONTROL CENTER, ALL OF THE I/O COMMUNICATION SHALL BE DONE OVER DEVICE NET. COORDINATE ALL INTERCONNECTION WITH SYSTEMS INTEGRATOR. IF UNIT IS SEPARATELY MOUNTED (NOT IN AN MCC) THEN THE I/O SHALL BE HARD WIRED AS INDICATED.



- NOTES:
- NOTE: ALLOW ADDITIONAL 3" OF HEIGHT PER STARTER FOR RELAYS WHEN LOCATED IN MOTOR CONTROL CENTER.
 - ALL RVSS STARTERS SHOWN IN PROCESS EQUIPMENT CONNECTION SCHEDULES SHALL BE PROVIDED WITH ALL RELAYS AND EQUIPMENT AS SHOWN IN THIS DIAGRAM.



1 TYPICAL REDUCED VOLTAGE SOLID STATE STARTER WIRING DIAGRAM
 NO SCALE

No.	Revision	By	Date
SEDGWICK COUNTY RURAL WATER DISTRICT #1 WATER DISTRIBUTION SYSTEM IMPROVEMENTS ELEC. WIRING DIAGRAM GARY JANZEN, P.E. - CITY ENGINEER CITY OF WICHITA PROJECT NO. 448-90565			
		PROFESSIONAL ENGINEERING CONSULTANTS, P.A. 303 SOUTH TOPEKA WICHITA, KS 67202 316-262-2691 www.pec1.com	
Designed by	RDB	Job No.	34-11123
Drawn by	ADM	Date	JULY 2013
			Sht. E1.3 of 9