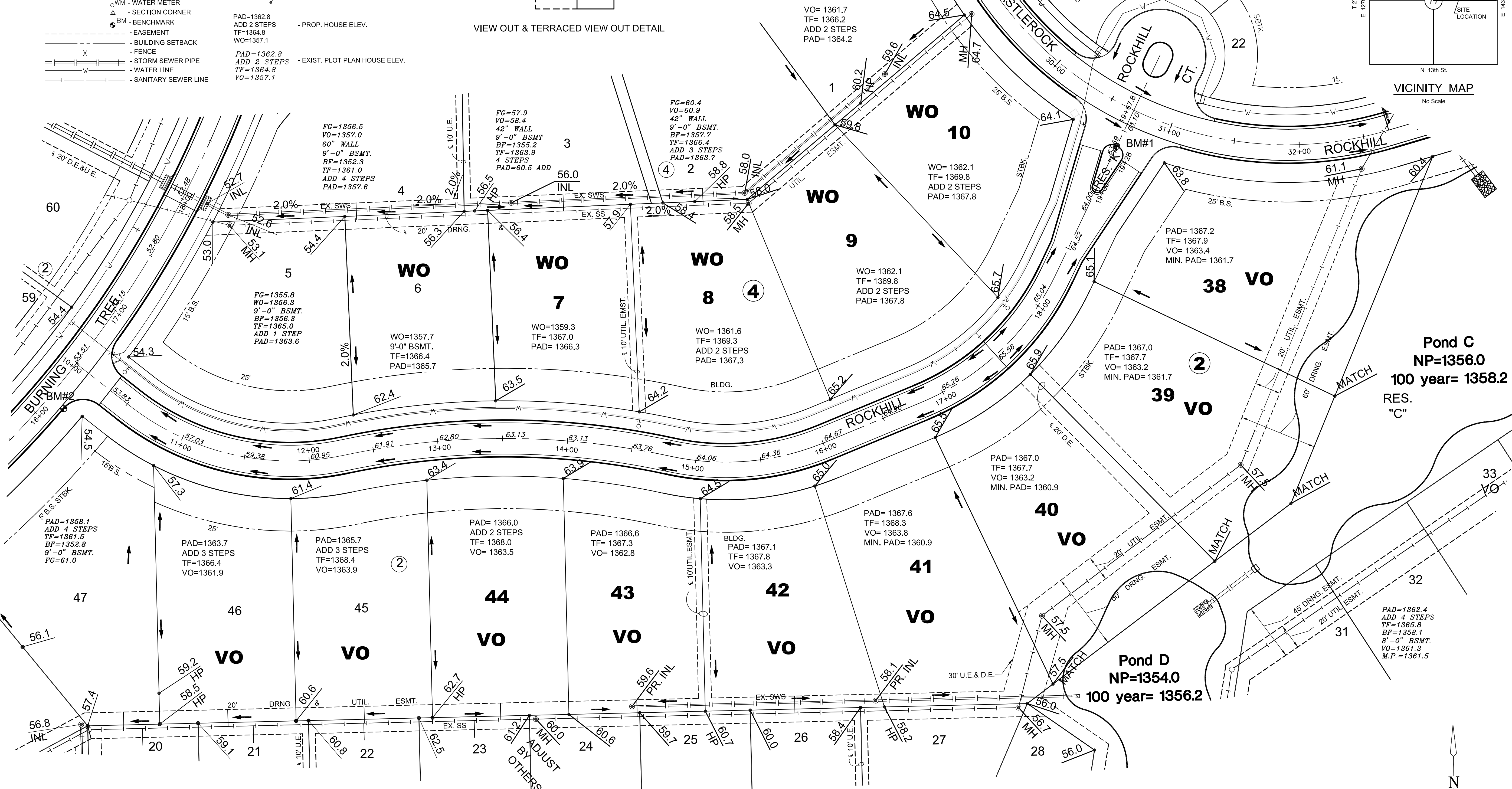
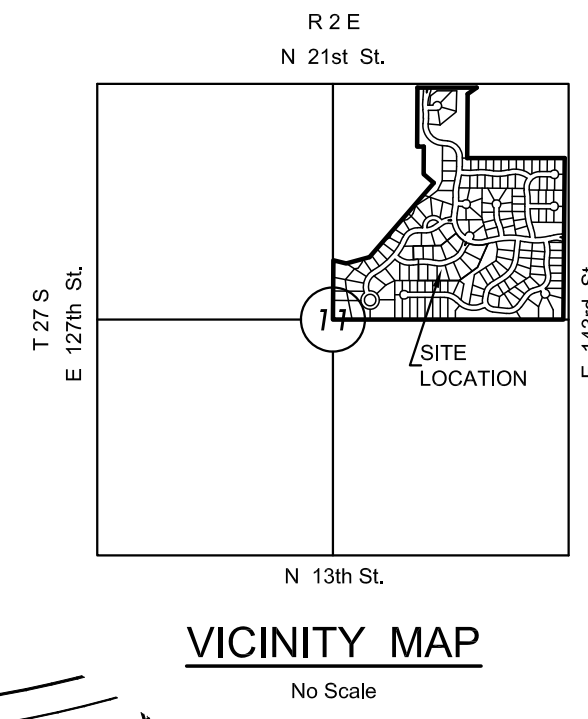
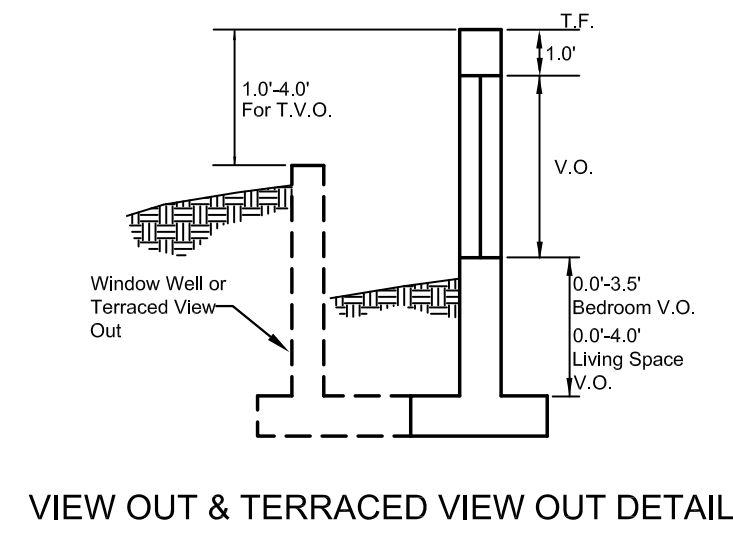


PLOTTED: Thursday, January 15, 2015 10:41:27AM

J:\CIVIL\05291\DWG\CIVIL\3D\5-CIVIL\CAD\GRD\05291_LGR_P4.DWG

LEGEND

- XIN - CONIFEROUS TREE
- XIN - DECIDUOUS TREE
- SN - SIGN
- PP - POWER POLE
- ELEC BOX - ELECTRIC BOX
- LP - LIGHT POLE
- FH - FIRE HYDRANT
- WV - WATER VALVE
- WM - WATER METER
- SC - SECTION CORNER
- BM - BENCHMARK
- EASEMENT
- - - BUILDING SETBACK
- - - FENCE
- - - STORM SEWER PIPE
- - - WATER LINE
- - - SANITARY SEWER LINE
- G - GAS LINE
- P - GAS PIPELINE
- UGT - TELEPHONE LINE
- UGE - UNDERGROUND ELEC.
- DHE - OVERHEAD ELECTRIC
- FDC - FIBER OPTIC CABLE
- XXX - SPOT ELEVATIONS
- PAD=1362.8
ADD 2 STEPS
TF=1364.8
WO=1357.1
- PAD=1362.8
ADD 2 STEPS
TF=1364.8
WO=1357.1
- PROP. HOUSE ELEV.
- EXIST. PLOT PLAN HOUSE ELEV.



DATUM & BENCHMARKS

DATUM:
1 - THE PROJECT HORIZONTAL DATUM IS BASED ON THE NAD83-1993, KANSAS STATE PLANE COORDINATE SYSTEM, SOUTH ZONE, (US SURVEY FEET DEFINITION), WITH A COMBINED ADJUSTMENT FACTOR (CAF) OF 1.0001200144. ALL COORDINATES AND DIMENSIONS SHOWN ON THESE PLANS ARE MODIFIED TO GROUND VALUES.

BENCHMARKS:
BM 1 CHISELED SQUARE ON TOP OF CURB AT NOSE OF ISLAND ON SOUTH SIDE OF ROCKHILL STREET AT CASTLE ROCK STREET.
ELEV. = 1364.47 NGVD 29

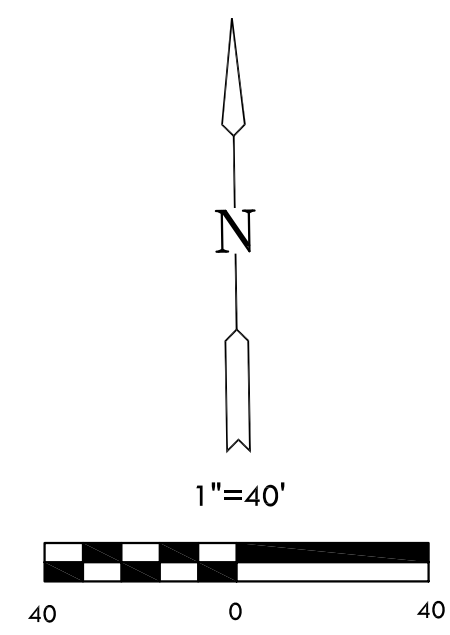
BM 2 BRASS DISC IN TOP OF CURB AT SOUTH END OF SOUTHEAST CURB RETURN AT ROCKHILL AND BURNING TREE.
ELEV. = 1353.95 NGVD 29

THE FOLLOWING EQUATIONS CAN BE USED FOR CONVERSION:
GROUND COORDINATES TO STATE PLANE COORDINATES = GROUND X 1/CAF
STATE PLANE COORDINATES TO GROUND COORDINATES = STATE PLANE X CAF

2 - THE VERTICAL DATUM USED IS NGVD29.

REVISION HISTORY

DATE	REVISION	REASON
NOV 2014	PRELIM WITH PAVING PLANS	REQUIRED



LOT GRADING PLAN FOR
KRUG SOUTH ADDITION
PHASE 4

©2014 MKEC Engineering All Rights Reserved
www.mkec.com
These drawings and their contents, including, but not limited to, all concepts, designs, & ideas are the exclusive property of MKEC Engineering (MKEC), and may not be used or reproduced in any way without the express consent of MKEC.

LOT GRADING PLAN PH. 4

PROJECT NO.	472-85057
DATE	JAN. 2015
SCALE	AS SHOWN
DESIGNED	JTC
DRAWN	DM
CHECKED	GJA

NO.	REVISION	DATE