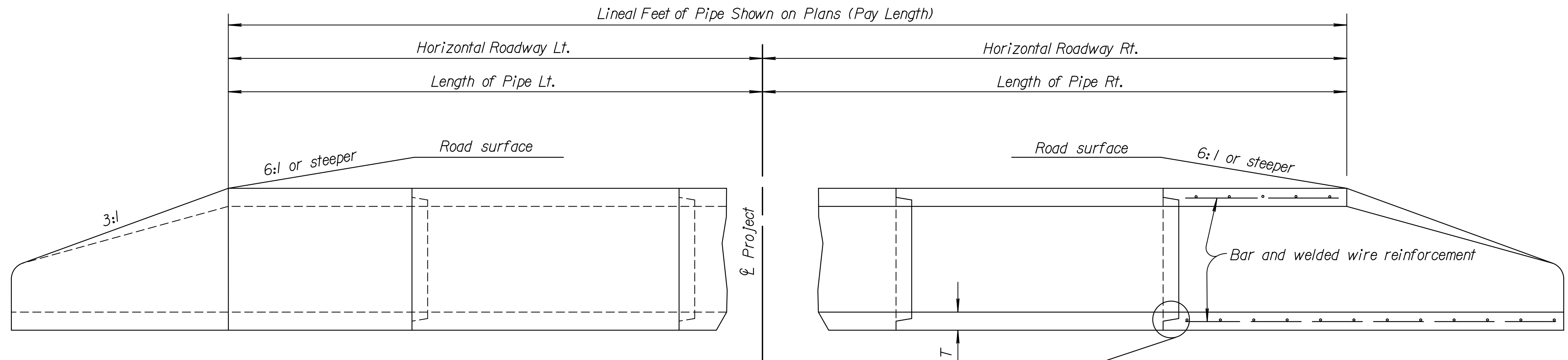


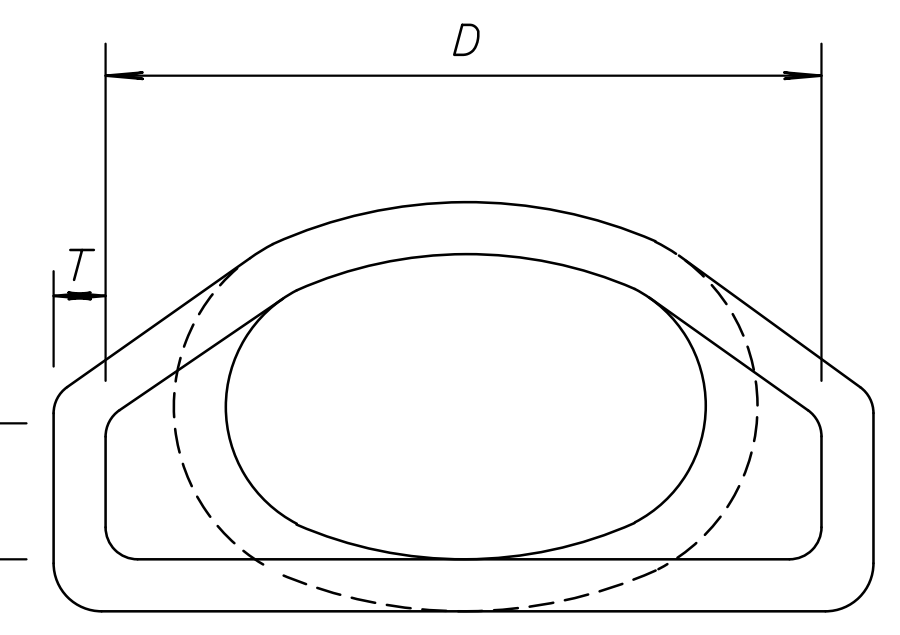
STATE	PROJECT NO.	YEAR	SHEET NO.	TOTAL SHEETS
KANSAS	472-84780	2015	59	227



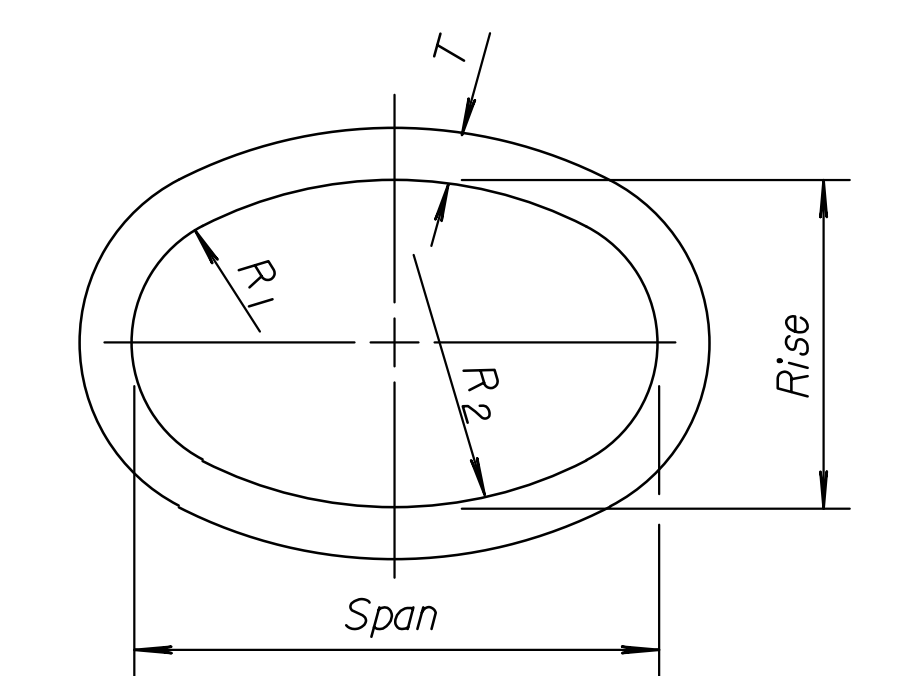
ELEVATION AND SECTION

Note: Gain in length due to joint fit tolerance will not be paid for.

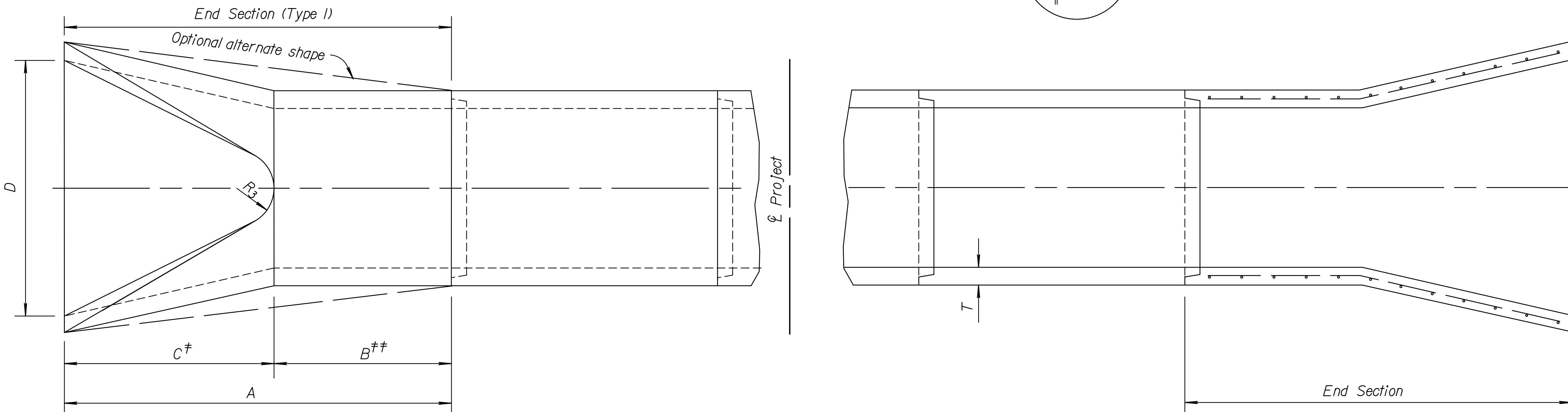
1/4" max.



FLARED END SECTION ELEVATION



END ELEVATION



PLAN AND SECTION

END SECTION (TYPE I) NOMINAL DIMENSIONS													
Bid Designation Sq. Ft.	Equiv. Dia. (In.)	Min. W.W. Area Sq. Ft.	Span	Rise	Overall Length A	Barrel Length B ##	C #	D	E	R ₁	R ₂	R ₃	T
1.0 or 1.5	18"	1.8	23"	14"	6'-0"	3'-9"	2'-3"	3'-0"	8"	6"	20"	6"	2 3/4"
2.0, 2.5 or 3.0	24"	3.3	30"	19"	6'-0"	2'-9"	3'-3"	4'-0"	8 1/2"	8 1/4"	26 1/4"	7"	3 1/4"
4.0	27"	4.1	34"	22"	6'-0"	2'-2"	3'-10"	4'-6"	9"	9 1/4"	29 17/32"	8"	3 1/2"
5.0	30"	5.1	38"	24"	6'-0"	1'-6"	4'-6"	5'-0"	9 1/2"	10 1/4"	32 3/4"	9"	3 3/4"
6.0	33"	6.3	42"	27"	6'-0"	1'-3"	4'-9"	5'-6"	10 3/8"	11 7/16"	36 3/16"	10 1/2"	3 3/4"
7.0	36"	7.4	45"	29"	8'-0"	3'-0"	5'-0"	6'-0"	11 1/4"	12 1/4"	39 1/4"	12"	4 1/2"
8.5	39"	8.8	49"	32"	8'-0"	3'-0"	5'-0"	6'-3"	12"	13 9/16"	42 21/32"	12 1/2"	4 3/4"
10.0	42"	10.2	53"	34"	8'-0"	3'-0"	5'-0"	6'-6"	15 3/4"	14 3/4"	46"	13"	5"
11.0 or 12.5	48"	12.9	60"	38"	8'-0"	3'-0"	5'-0"	7'-0"	21"	16 1/2"	51 3/4"	14"	5 1/2"
14.0 or 16.5	54"	16.6	68"	43"	8'-0"	3'-0"	5'-0"	7'-6"	25 1/2"	18 2/32"	58 3/32"	16"	6"

Paid for as separate item of "End Sections".
 ## Included in pay length of pipe.

Design of end section shall conform to standard reinforced concrete horizontal elliptical pipe. Slight variations in the dimensions specified will be allowed.

Note: Reinforced concrete pipe extensions are based on the surveyed end of pipe. Replacement of any additional pipe length required due to the removal of the existing end section will not be paid for directly, but will be subsidiary to the bid item "Removal of Existing Structures".

NO.	DATE	REVISIONS	BY	APP'D
4	5-17-13	Added Note, Pipe Extensions Subsidiary	S.W.K.	J.O.B.
3	4-18-08	Added ref. to KDOT Pipe Policy	S.W.K.	J.O.B.
2	4-6-05	Revised reinforcement callout	S.W.K.	J.O.B.
1	6-16-95	Revised table & labeling	R.J.S.	J.O.B.

KANSAS DEPARTMENT OF TRANSPORTATION

CONCRETE END SECTION FOR REINFORCED CONCRETE HORIZONTAL ELLIPTICAL PIPE TYPE I

RD663

DESIGNED	9-4-14	APP'D. Jame O. Brewer
DESIGN CK.	DETAIL CK.	QUAN. CK.
TRACED	TRACED	TRACED
Bowser	King	

Note to Designer: KDOT Pipe Policy provides guidance in identifying the prohibited and/or restricted uses of CSP, ACSP, PEP, PVC, CAP & RCP. Provide end sections of the same type and coating as the pipe. Exceptions to this are noted in the Standard Specifications. Refer to the KDOT Design Manual, Volume I (Part C), Road Section, Elements of Drainage & Culvert Design for structural pipe design information which includes: corrugations, sizes, gauges, maximum/minimum fill heights and classes of pipe.

Drawn By : drp
 Plotted : 15-JAN-2015 13:40
 File : I:\2008\08807\001\Standards\08807-001 rd663.dgn