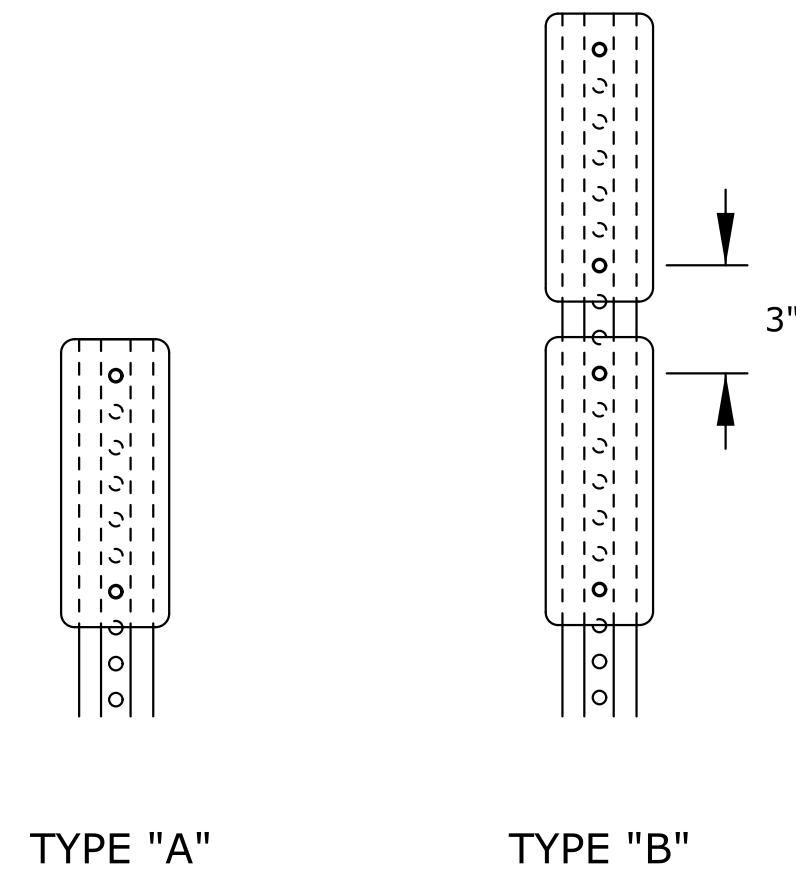


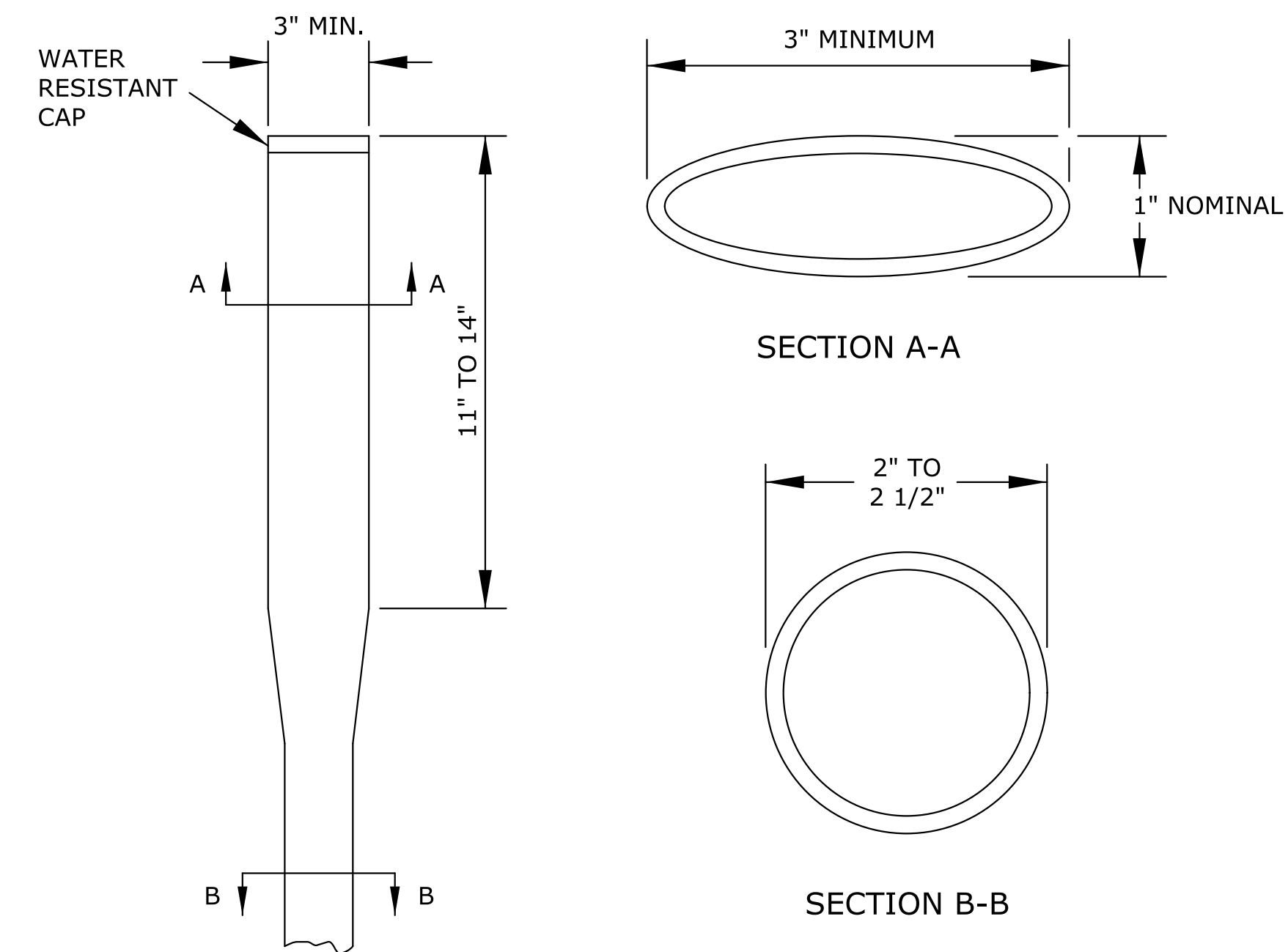
STATE	PROJECT NO.	YEAR	SHEET NO.	TOTAL SHEETS
KANSAS	472-84780	2015	86	227



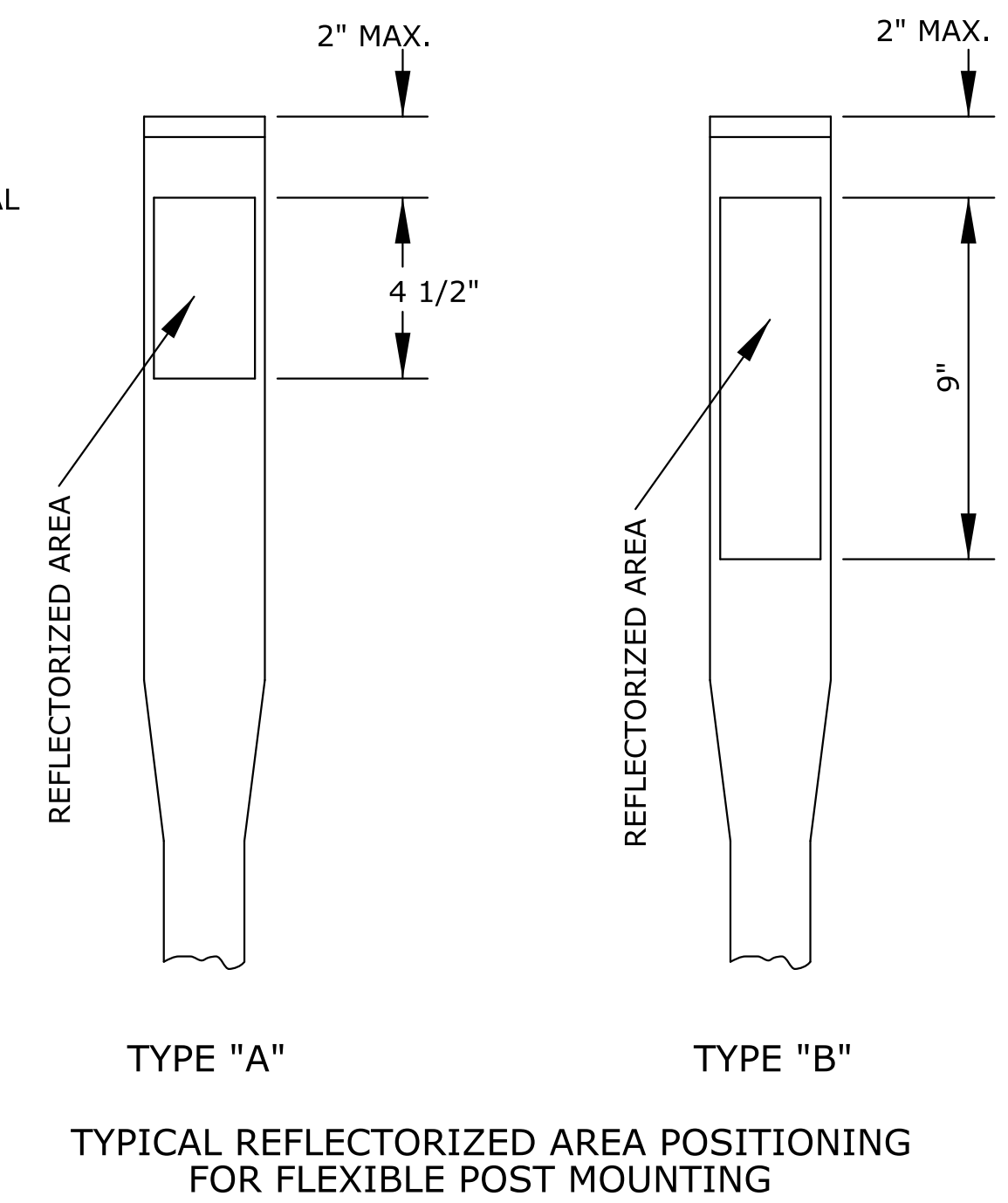
TYPICAL DELINEATOR ASSEMBLY POSITIONS FOR STEEL POST MOUNTING

FLAT SHEET DELINEATORS:
SEE FLAT SHEET SIGN BLANK DETAIL SHEETS FOR THE REQUIRED ALUMINUM ALLOYS AND THICKNESS.

THE 3 IN X 8 IN DELINEATOR SIGN FACE SHALL BE COVERED WITH TYPE IV HIGH INTENSTIY WHITE OR YELLOW RETROREFLECTIVE SHEETING.

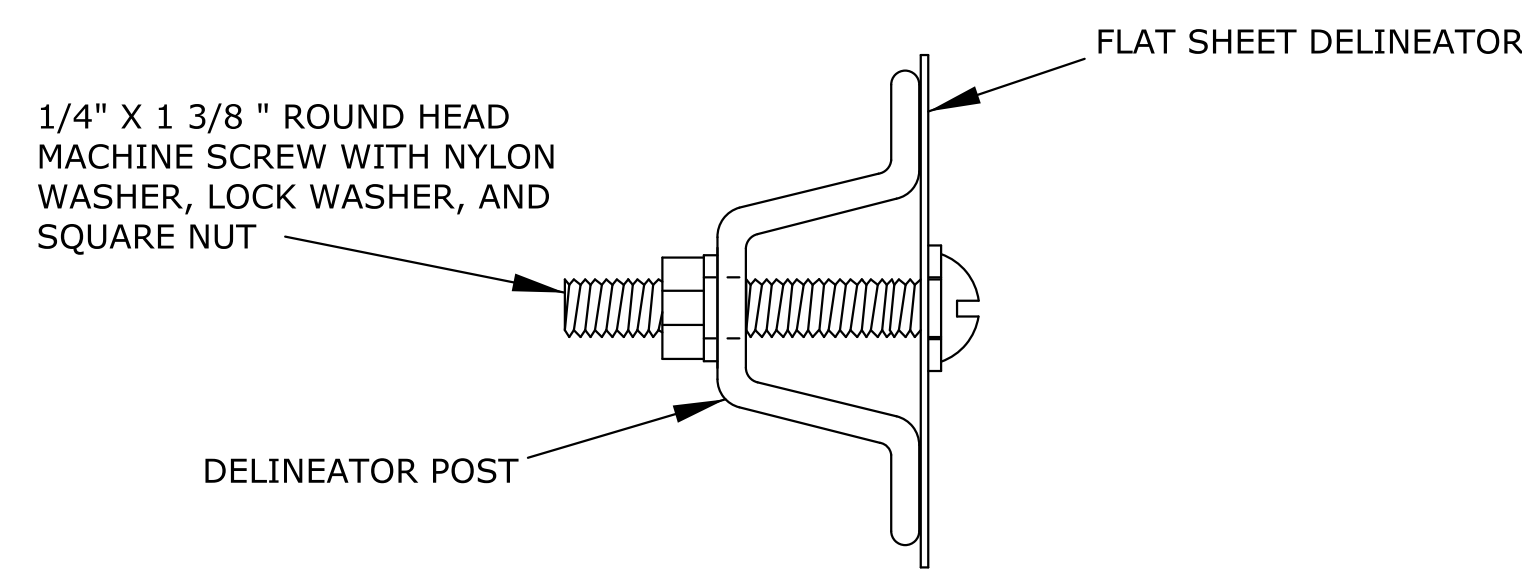


FLEXIBLE DELINEATOR POST DETAILS



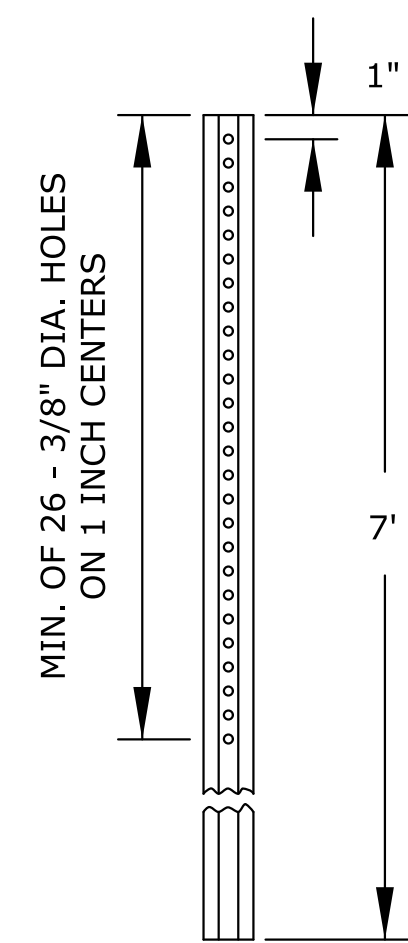
FLEXIBLE DELINEATOR POSTS AND ANCHORING DEVICES:
THE TOTAL LENGTH OF THE FLEXIBLE POST SHALL BE DETERMINED BY THE CONTRACTOR, AS PER LOCATION AND ANCHORING DEVICE.

REFLECTORIZATION:
THE REFLECTORIZED AREA SHALL BE TYPE IV HIGH INTENSITY WHITE OR YELLOW RETROREFLECTIVE SHEETING. THE REFLECTORIZED AREA SHALL BE 3" MINIMUM IN WIDTH.

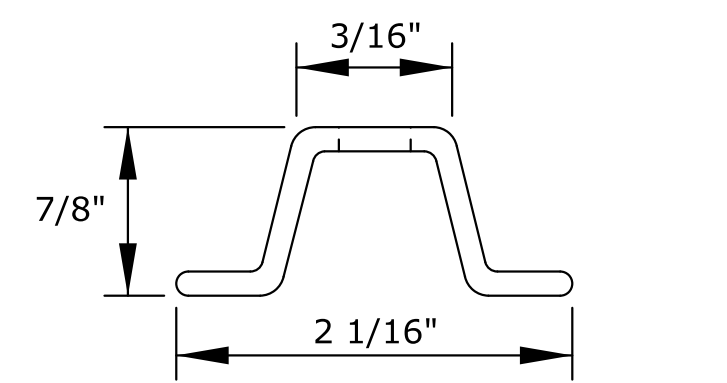


FLAT SHEET DELINEATOR MOUNTING

DETAILS FOR ATTACHING DELINEATORS TO STEEL DELINEATOR POSTS

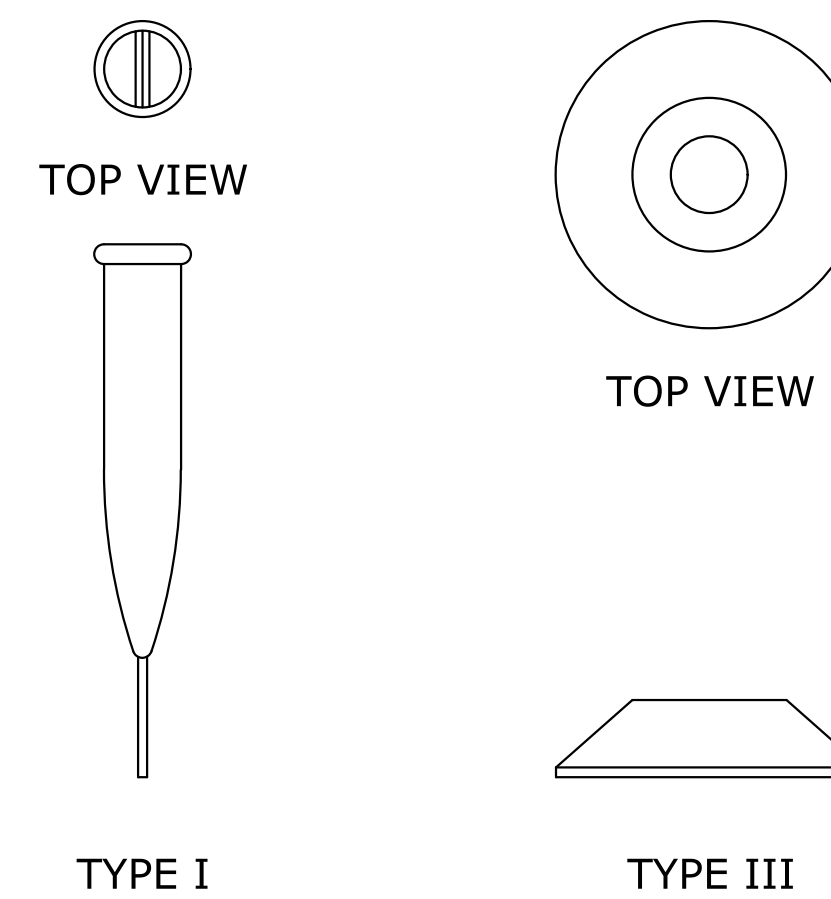


PUNCHING DETAILS



POST DIMENSIONS
(ALL DIMENSIONS SHOWN ARE NOMINAL)

STEEL DELINEATOR POST DETAILS



ANCHORING DEVICES FOR FLEXIBLE DELINEATORS

DELINEATION NOTE:
SEE THE "DESIGN DETAILS FOR POSITIONING OF DELINEATORS" AND/OR PLAN SHEETS FOR THE DELINEATION SPACING, TYPE, AND COLOR.

NO.	DATE	REVISIONS	BY	APP'D
1	7/23/10	Changed Sheeting Type	D.D.G.	D.B.

KANSAS DEPARTMENT OF TRANSPORTATION
DELINEATOR DESIGN DETAILS
STEEL POST MOUNT & FLEXIBLE POST MOUNT

TE412 7/1/03

FHWA APPROVAL	7/23/2010	APP'D	Steven A. Buckley
DESIGNED	D.D.G. DETAILED	W.S.B. QUANTITIES	TRACED
DESIGN CK.	S.A.B. DETAIL CK.	D.D.G. QUAN. CK.	TRACE CK.