

**Notes:**

- A. Road measures 31.00' back of curb to back of curb. Road surface consist of 5" AC Pavement (3" bit base) with 5" reinforced crushed rock base. Refer to sheet 4 for more info.
- B. Full height curb along Georgia Ave with monolithic curb for the RCVG at Ellis Ave.
- C. Existing and Relocated water meters will need to raised or lowered to match proposed grade.

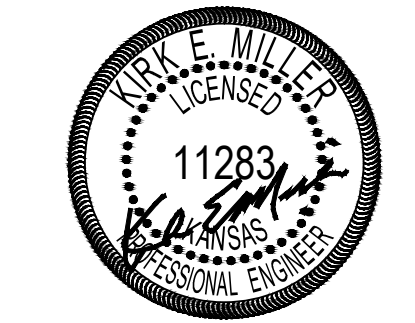
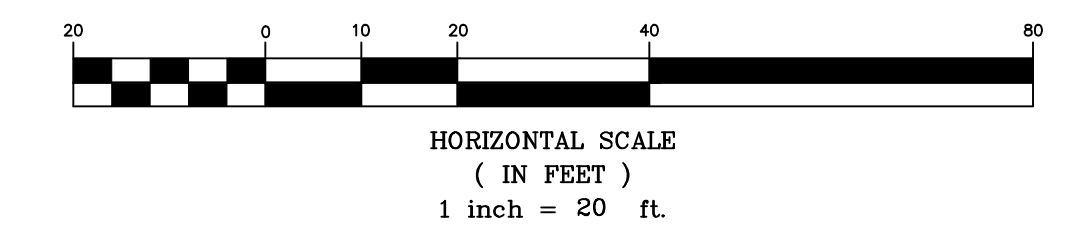
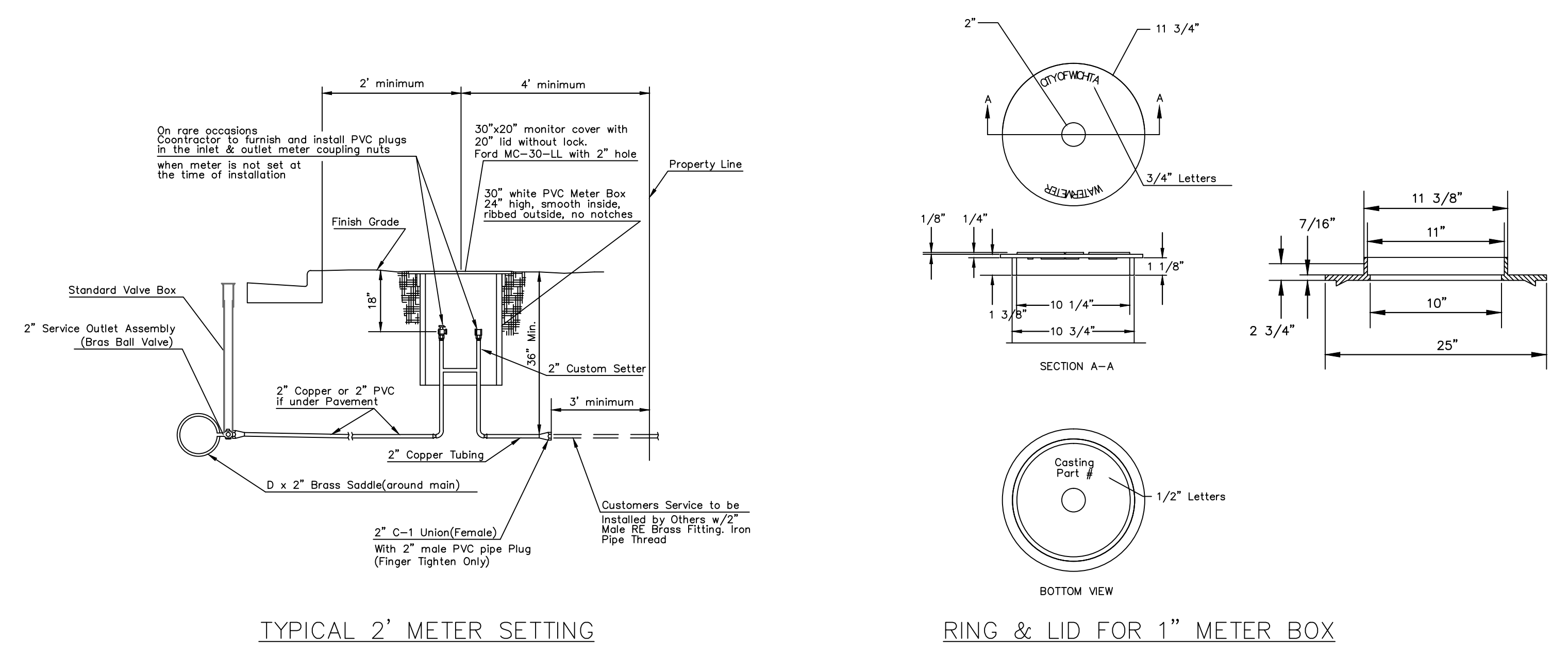
**BENCHMARK: COW**

Located on the Southeast corner of the intersection of Hydraulic and 43rd Street South.  
Elev. = 1268.33 NAVD 88

Pin NE corner of the west driveway @ 1615 E Georgia. Lot 5  
Elev. = 1271.32 NAVD 88

Square-cut on back of curb @ Hydraulic and Georgia @ Georgia extended, in from of FH  
Elev. = 1270.44 NAVD 88

FH Top of bolt on top of flange between Mueller and Chattanooga @ the NW corner of Ellis and Georgia.  
Elev. = 1273.90 NAVD 88



DATE: 01.23.2015  
THIS SHEET HAS BEEN SIGNED, SEALED AND DATED ELECTRONICALLY

Georgia Street Paving Plan (16+50.00 - 19+15.50) Wichita, Kansas			
PROJECT NUMBER			
KEMILLER ENGINEERING PA 117 E. Lewis, Wichita, KS 67202 (316)264-0242	KEM NO. 13175	FILE DESIGN KM	DATE 04/2014 REVIS ME
			SHEET 8.0