

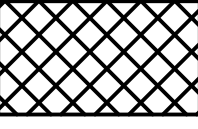



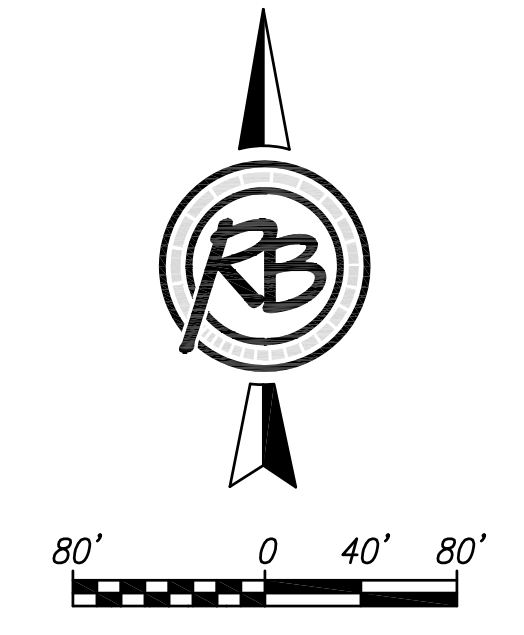
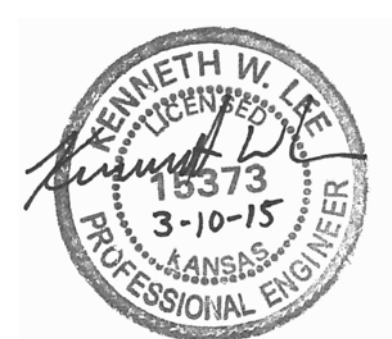



PROJECT QUANTITIES

-  MAINTAIN Silt Fence (2492 L.F.)
-  INSTALL Linear Sediment Barrier (84 L.F.)
-  MAINTAIN Construction Entrance
-  INSTALL Inlet Protection (9 Each)
-  INSTALL Curlex Blanket (449 S.Y.)
-  INSTALL Riprap Outfall Protection (132 S.Y.)



The Steppes at Ark Valley		Erosion Plan-SWD	
	 <p>RUGGLES & BOHM</p> <p>ENGINEERING SURVEYING LANDSCAPE ARCHITECTURE GOVERNMENT</p> <p>924 NORTH MAIN WICHITA, KANSAS 67203 P (316) 264-8008 F (316) 264-4621 WWW.RBKANSAS.COM</p>	<p>DATE: 3/10/2015</p> <p>DESIGN: KWL</p> <p>DRAWN: DRS</p> <p>REVIEW: DRS</p> <p>SHEET: 14</p> <p>OF: 21</p>	
PROJECT NUMBER: 468-84980	RB JOB NO.: 4372E	DWG. SCALE: ...	
DRAWING FILE: 4372E Engineering Base [Erosion Plan-SWD]			