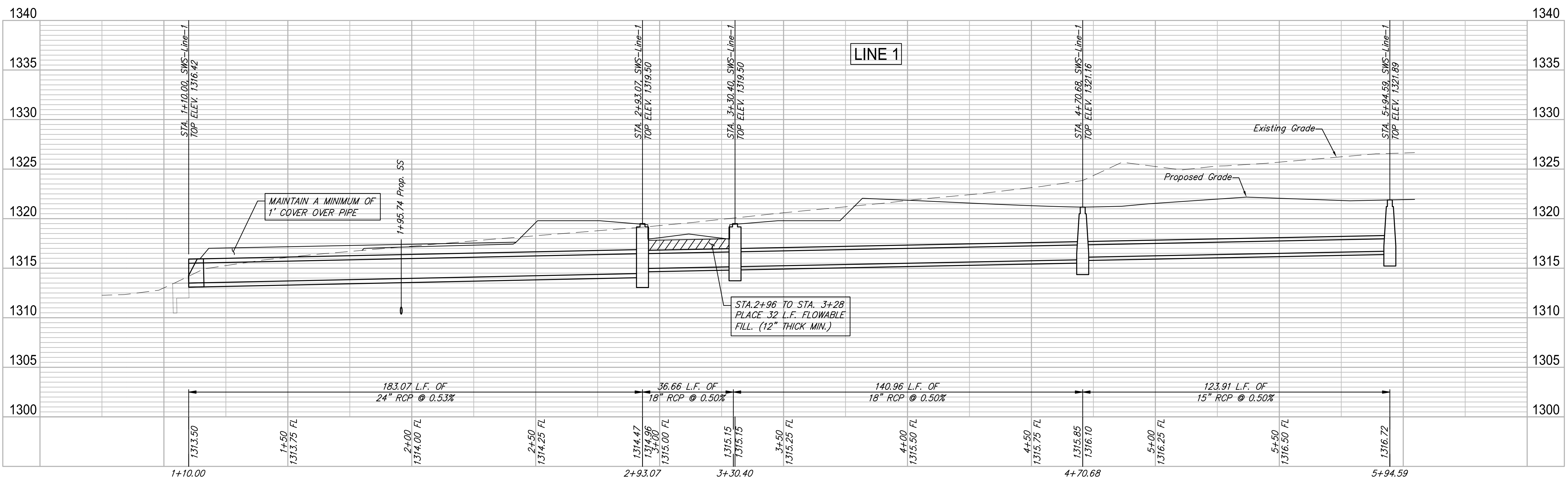
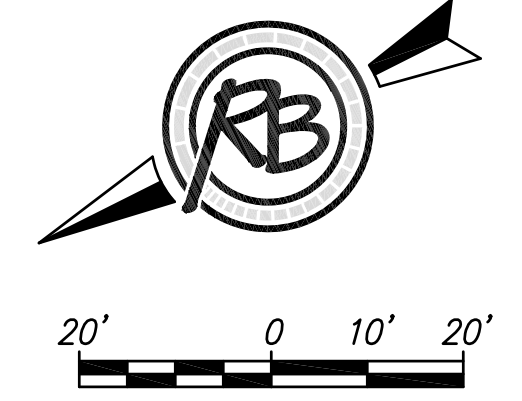
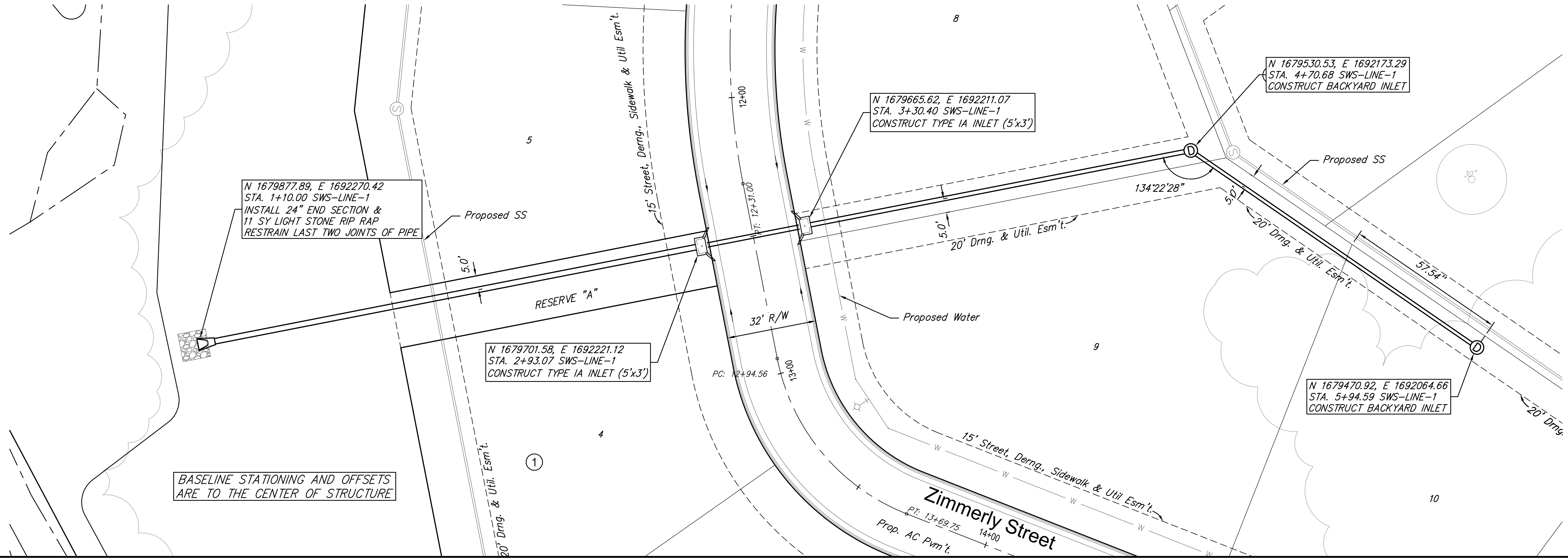


F:\Projects\Projects 4300-4399\4372E (Steppes at Ark Valley)\4372E Engineering Base.dwg



**The Steppes at Ark Valley
Storm Drain Line-1
Wichita, Kansas**

PROJECT NUMBER: 468-84980
DRAWING FILE: 4372E Engineering Base

DESIGN: KWL
DRAWN: DRS

REVIEW: 2/17/2015
DATE: 3/10/2015

RB JOB: 4372E
SHEET: 6 OF 21