

**1 GENSET FUEL PIPING ISOMETRIC**  
SCALE: NONE

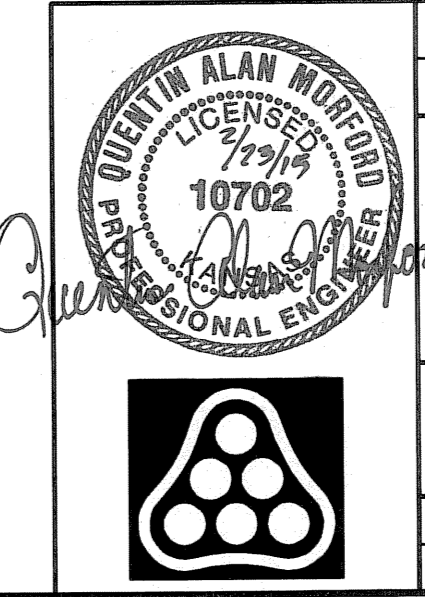
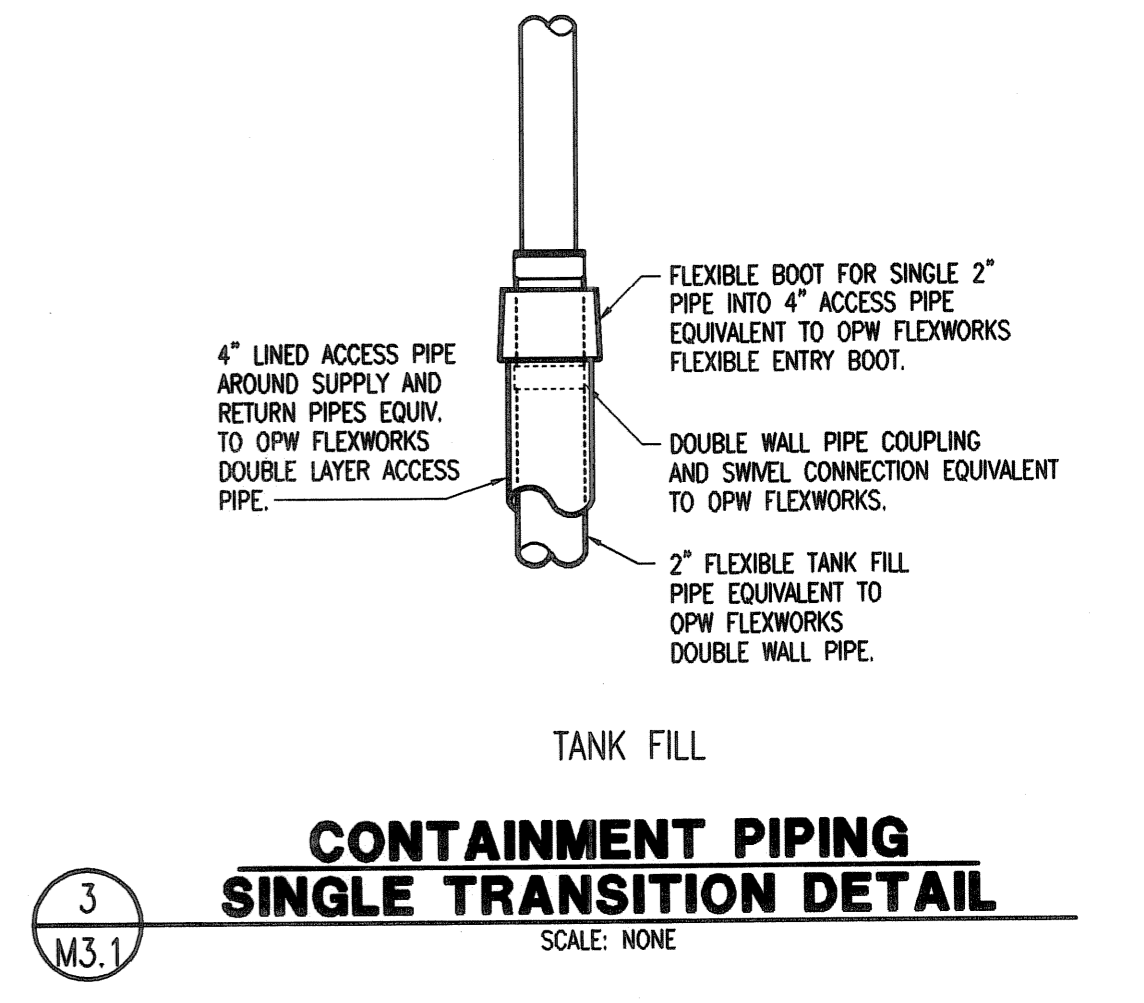
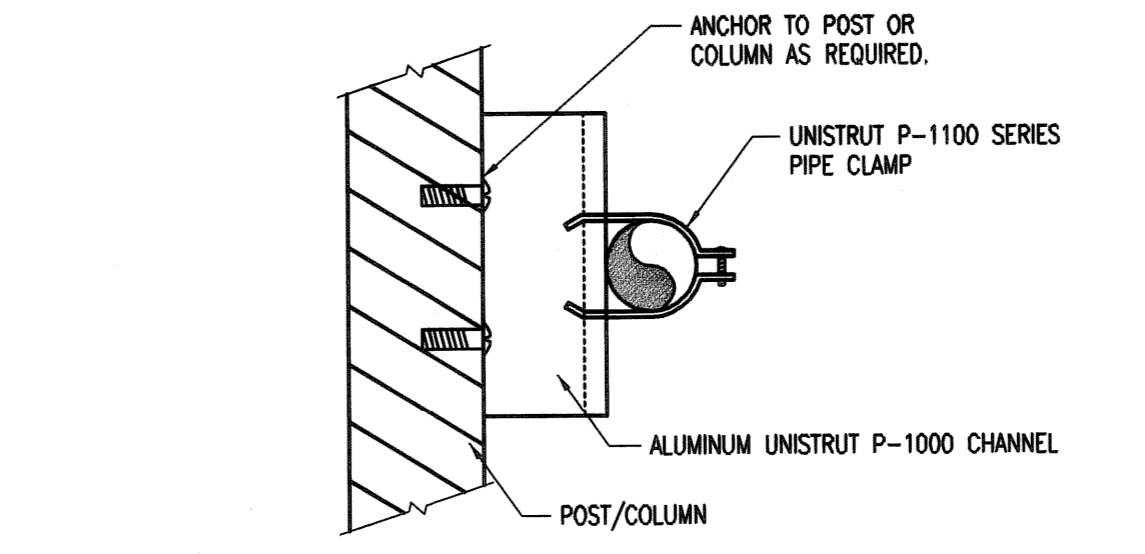
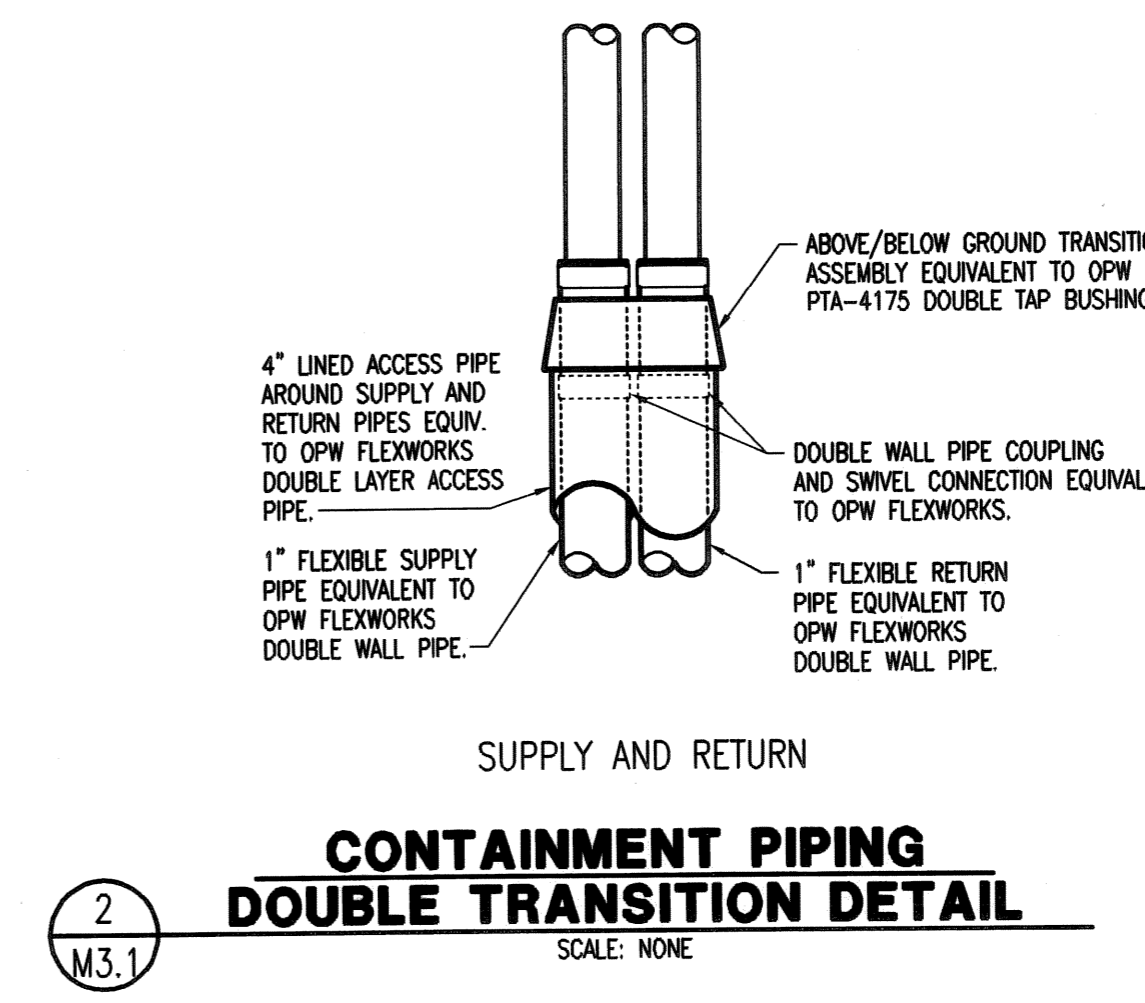
NOTE:  
M.C. TO COORDINATE WITH FUEL TANK SUPPLIER  
TO PROVIDE A COMPLETE AND WORKING SYSTEM.

**GENERAL NOTES:**

1. CONTACT CITY PERSONNEL- CITY WILL PROVIDE INITIAL FILL OF FUEL TANK. CONTRACTOR SHALL PERFORM ALL TESTING AND UPON COMPLETION OF PROJECT SHALL PROVIDE FULL, FUEL TANK.

- PLAN NOTES:**
- PRIMARY EMERGENCY 8" VENT EQUIVALENT TO OPW 202-0680. MANUAL RESET AFTER ACTUATION.
  - 8" INTERSTITIAL EMERGENCY VENT EQUIVALENT TO OPW 202-0680 THRU OUTER SHELL ONLY. MANUAL RESET OF CAP AFTER ACTUATION. MARK WITH SPECIAL WARNING LABEL "INTERSTITIAL EMERGENCY VENT ONLY".
  - PROVIDE BUSHING FOR 2" VENT PIPE IN 4" HOLE. 2" VENT PIPE UP WITH PRESSURE/VACUUM CAP. TERMINATE 12'-0" ABOVE GRADE.
  - PROVIDE 4" TANK BUNG GAUGE AND ALARM COMBO FITTING EQUIVALENT TO OPW TGT-0400.
  - PROVIDE MECHANICAL TANK GAUGE WITH 304 SS FLOAT, DROP TUBE, LARGE EASY READ FACE IN ENGLISH UNITS TO READ FEET AND INCHES. EQUIVALENT TO OPW 200TG AST.
  - PROVIDE SINGLE CHANNEL LIQUID LEVEL TANK ALARM AT FUEL TANK. EQUIVALENT TO 144TA-0100.
  - NOT USED
  - INSTALL A 2" OPW SWING CHECK VALVE AND AN OPW SERIES 1611AN KAMVALOK WITH DUST CAP AND A POPPETED 1711D KAMVALOK DRY BREAK COUPLER. MOUNT 36" ABOVE GRADE.
  - PROVIDE STAINLESS STEEL 34"x 24"x 24"H REMOTE FILL ABOVE GROUND STORAGE TANK SPILL CONTAINER WITH BOTTOM AT 24" TO 30" ABOVE GRADE. EQUIVALENT TO OPW 211-RMOT.
  - 24" TIGHT BOLT MANWAY WITH 8" PRIMARY VENT MOUNTED IN COVER.
  - CONDUIT - REF ELECTRICAL.
  - INSTALL LEAK DETECTION SENSOR PROVIDED AS PART OF THE VEEDER-ROOT TLS-300C FUEL MANAGEMENT SYSTEM IN THE LEAK DETECTION PORT.
  - INSTALL FUEL LEVEL SENSOR PROVIDED AS PART OF THE VEEDER-ROOT TLS-300C FUEL MANAGEMENT SYSTEM.
  - PROVIDE 4" TANK BUNG COMBO FITTING FOR 1" PIPING CONNECTIONS AND DROP TUBES FOR EACH CONNECTION DOWN TO 6" ABOVE FLOOR OF TANK.
  - ANTI-SYPHON VALVE.
  - PLUGGED 90° ELL TURNED UP FOR PIPE VENTING AND PRIMING FILL.
  - INSTALL A 2" OPW MODEL 61SD OVERFILL PREVENTION VALVE IN TANK FILL CONNECTION.
  - TRANSITION TO FUEL OIL CONTAINMENT PIPING AT 12" ABOVE GRADE, WHERE PIPING CONTINUES BELOW GRADE.
  - FUEL HOSE WITH STAINLESS STEEL BRAID EXTERIOR MIN. 24" LENGTH RATED FOR SERVICE INTENDED.
  - 1" SUPPLY AND 1" RETURN COAXIAL PIPING BELOW GRADE IN SAME FUEL OIL CONTAINMENT PIPING.
  - COORDINATE ADDITIONAL 4" CONNECTION PORT IN TOP OF TANK WITH TANK MANUFACTURER FOR FUTURE PUMPING CONNECTION.
  - 1" SUPPLY PIPING WITH 1" OPW 821-010DAC 110V N.C. SOLENOID VALVE
  - 1" SUPPLY PIPING TRANSITIONED TO 1-1/2" OPW 346DI-0400AV EXTERNAL AST EMERGENCY SHUT-OFF VALVE OR EQUAL, THEN TRANSITIONED BACK TO 1" SUPPLY.
  - 1" RETURN PIPING TRANSITIONED TO 1-1/2" OPW 246ADI-0200AV SWING CHECK VALVE OR EQUAL, THEN TRANSITIONED BACK TO 1" RETURN.
  - 2" FUEL FILL PIPING IN CONTAINMENT PIPING.
  - INSTALL 1" COAXIAL SUPPLY PIPING IN CONTAINMENT PIPING.
  - ROUTE 1" SUPPLY PIPING ABOVE GRADE AND CAP FOR FUTURE FUEL DISPENSING PIPING. COORDINATE LOCATION WITH OWNER.
  - BURY 12 GA COPPER WIRE AND SAFETY TAPE OVER THE TOP OF BURIED FUEL PIPING.

FUEL TANK SCHEDULE						
MARK	LOCATION	CONSTRUCTION TYPE	WALL THICKNESS	MAX. CAP. (GAL.)	WEIGHT (lbs.)	REMARKS
FT-1	ABV. GRND	DOUBLE WALL	1/4"	15,000	35,821	①
① BASED ON HIGHLAND TANK FIREGUARD CYLINDRICAL ABOVEGROUND DOUBLE WALL TANK WITH THERMAL PROTECTION, BALLISTICS RATED, UL-2085 LISTED. PROVIDE (6) + (3) 4" FEMALE FIREGUARD COUPLINGS, PROVIDE (2) 8" FITTINGS FOR EMERGENCY VENTING, PROVIDE (1) 2" FEMALE FIREGUARD COUPLING FOR INTERSTITIAL MONITOR PIPE, AND PROVIDE (1) 24" DIA. MANHOLE.						



#	NOTE	BY	DATE
No.	Revision	By	Date
CITY OF WICHITA, KANSAS			
<b>ENGINE FUEL DETAILS AND SCHEDULES</b>			
WWTP #2 EMERGENCY POWER PROJECT C.O.W. PROJECT NO. 468-84956			
<b>PEC</b> PROFESSIONAL ENGINEERING CONSULTANTS, P.A. 303 SOUTH TOPEKA WICHITA, KS 67202 316-262-2691 www.pec1.com			
Designed by	QAM	Job No. 34-14229-001-0042	Sht. M3.1 of 3
Drawn by	JML	Date 2/23/15	

Sheet 02 of 23 - 01/15/10 P.W. by JEREMY LEE  
 Sheet 03 of 23 - 02/23/15 P.W. by JEREMY LEE  
 U:\Wichita-Fuel\2014\14229\001\_M3.1\_ENGINE\_FUEL\_DETAILS\_AND\_SCHEDULES