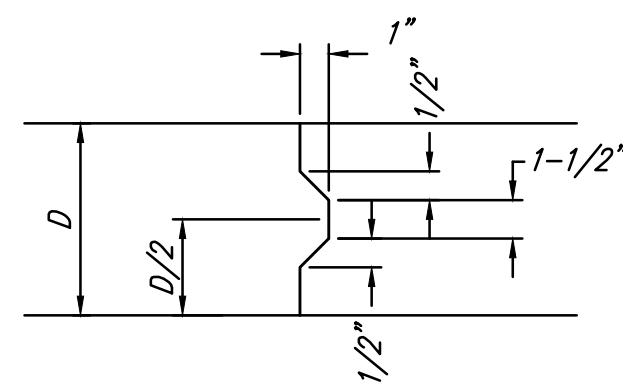
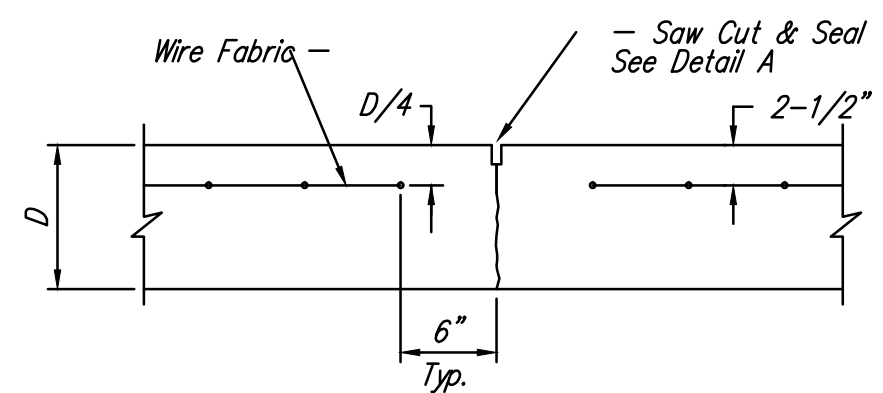


**EXPANSION JOINT**

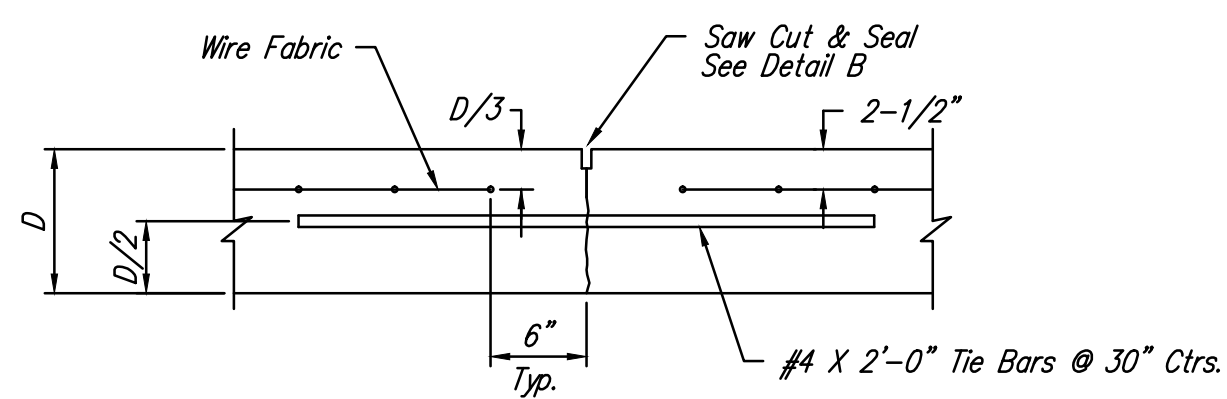
NOTE: Extra Thickness to be Subsidiary to Price of Square Yards Pavement



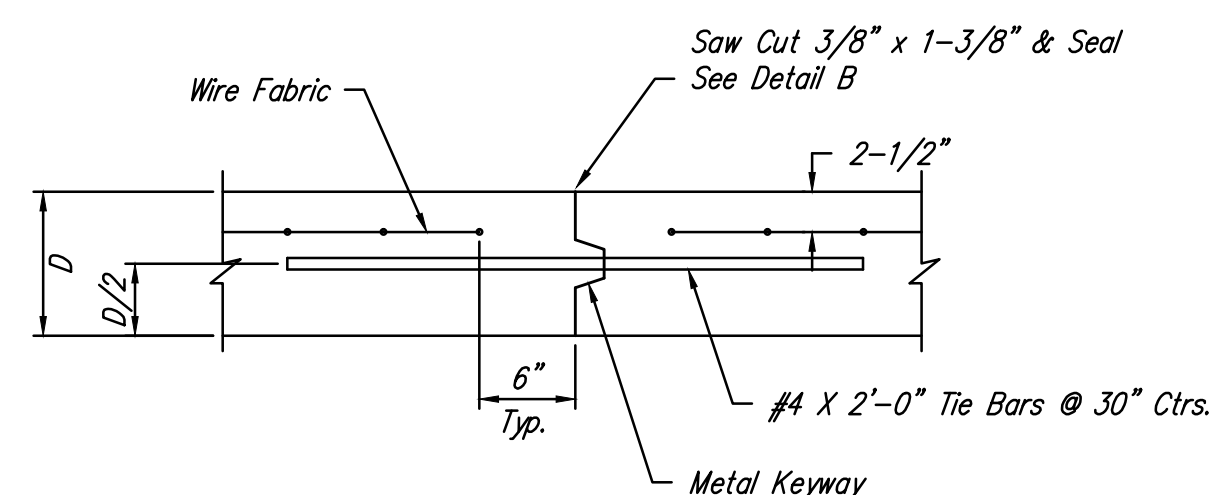
**KEYWAY DETAIL**



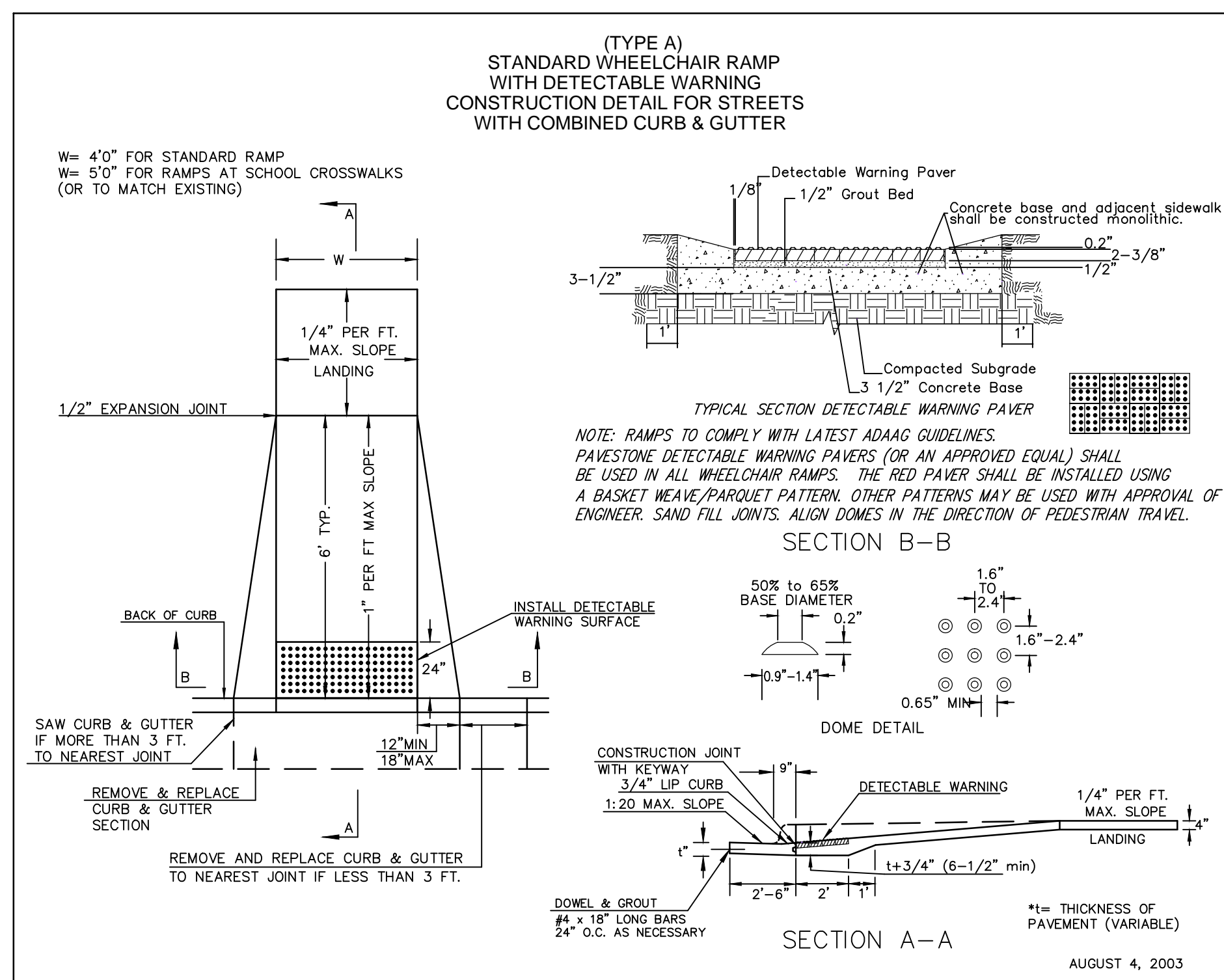
**CONTRACTION JOINT DETAIL (C.J.)**



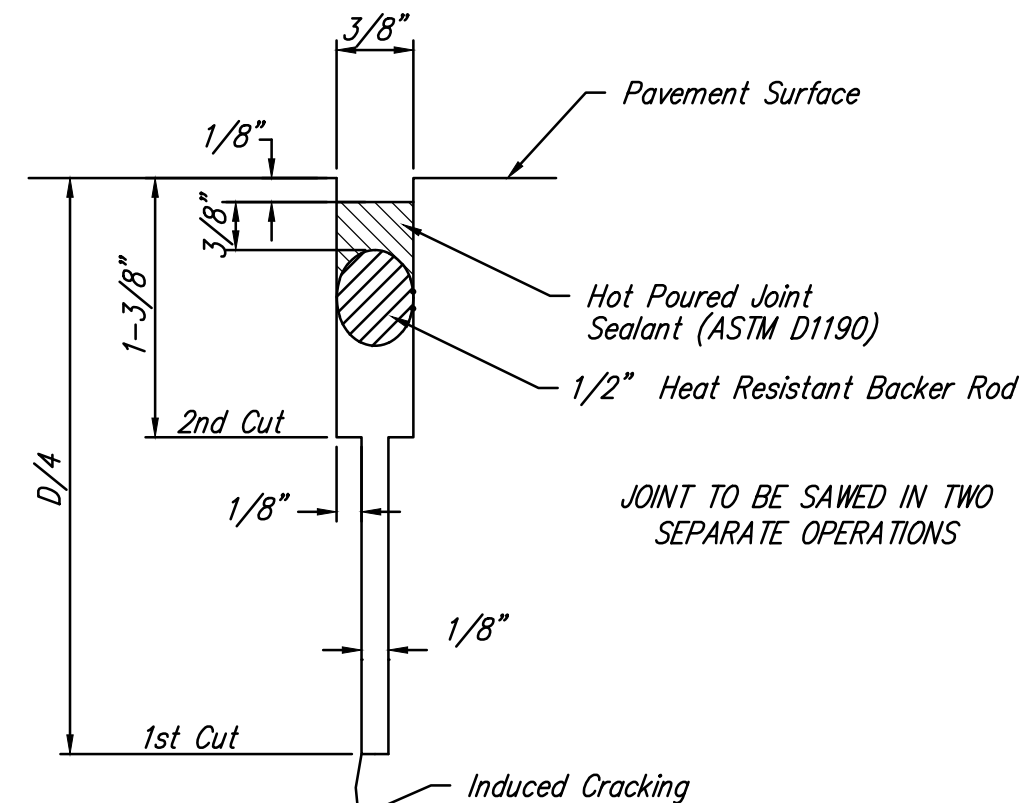
**LONGITUDINAL JOINT DETAIL (L.J.)**



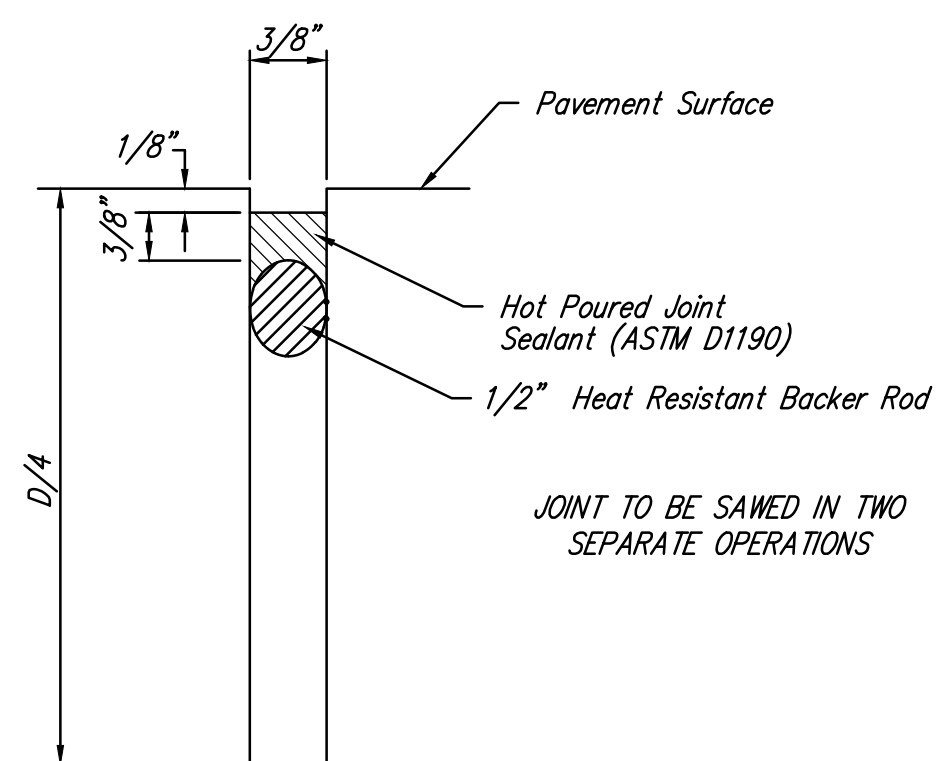
**OPTIONAL LONGITUDINAL JOINT DETAIL (L.J.) (CONSTRUCTION JOINT)**



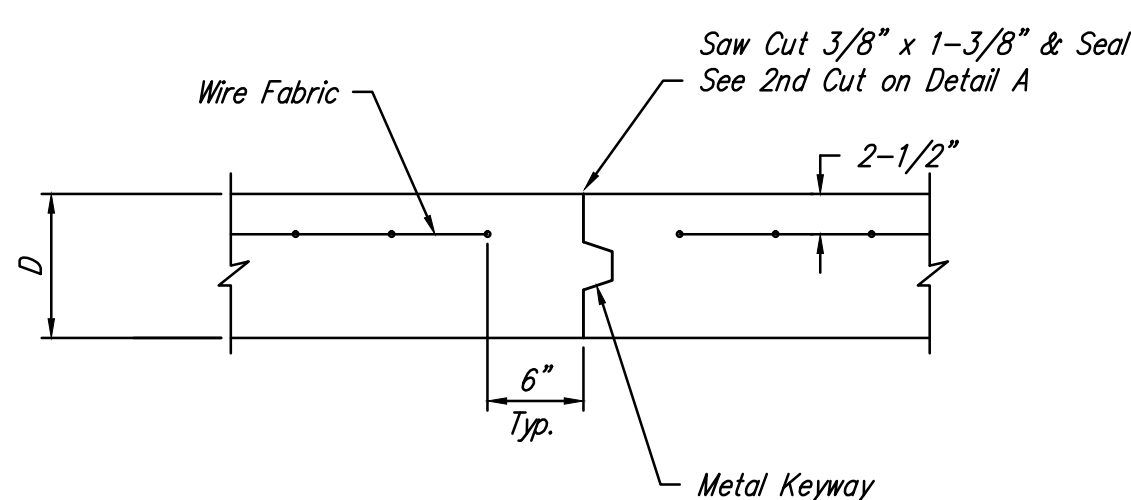
**WHEELCHAIR RAMP DETAIL**



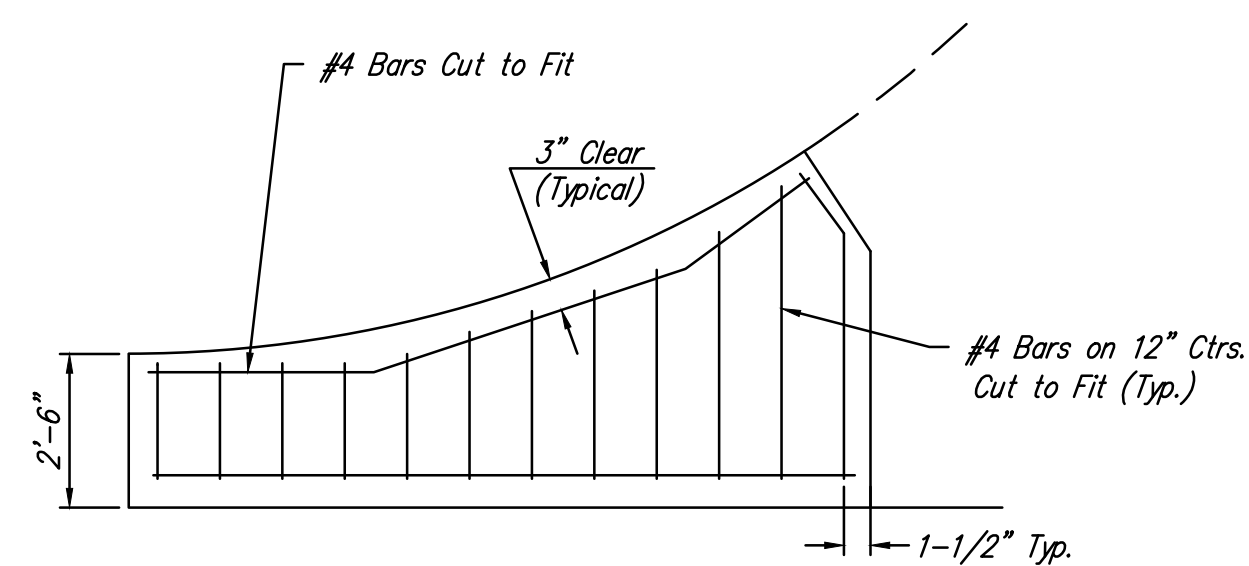
**SAW JOINT DETAIL "A"**



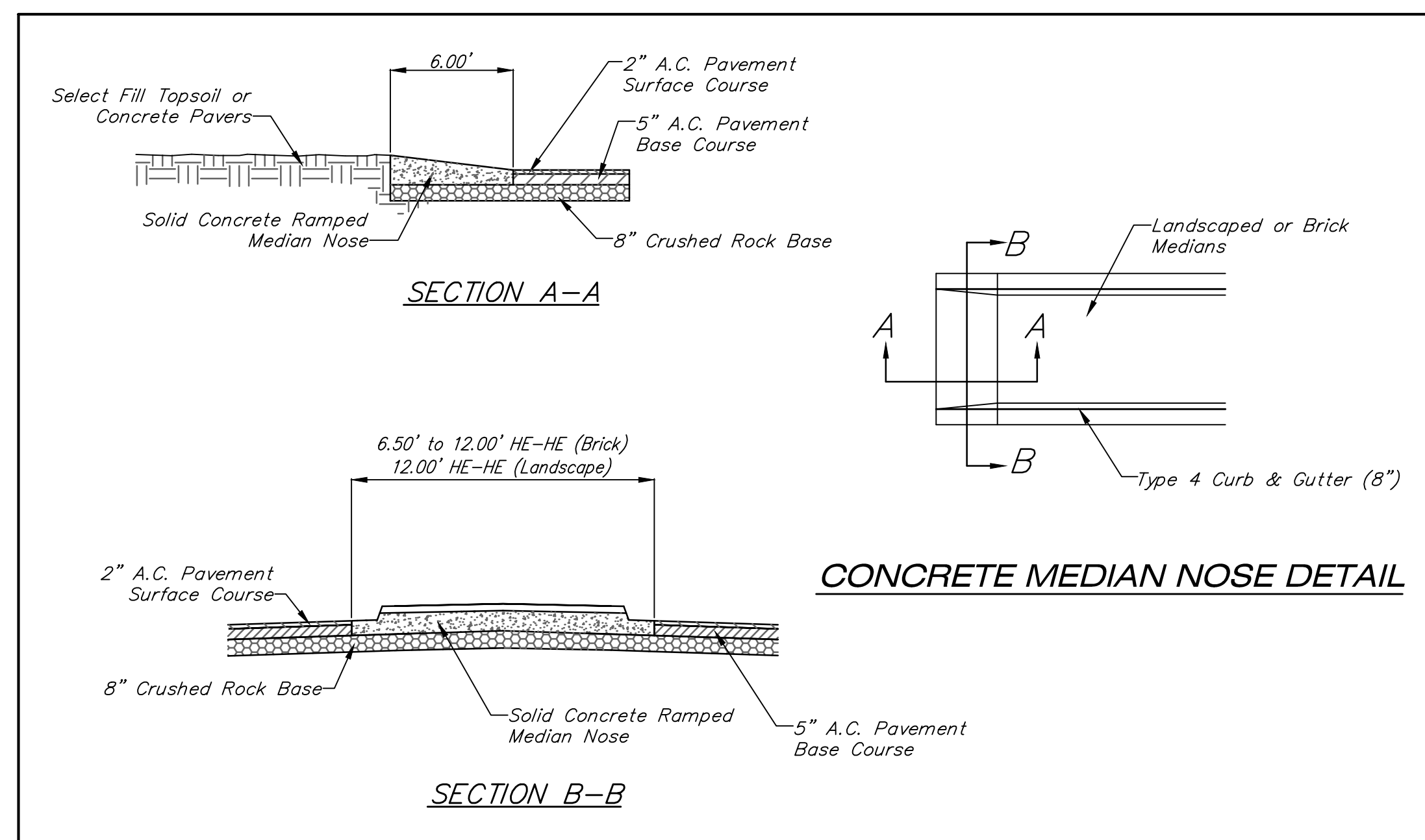
**SAW JOINT DETAIL "B"**



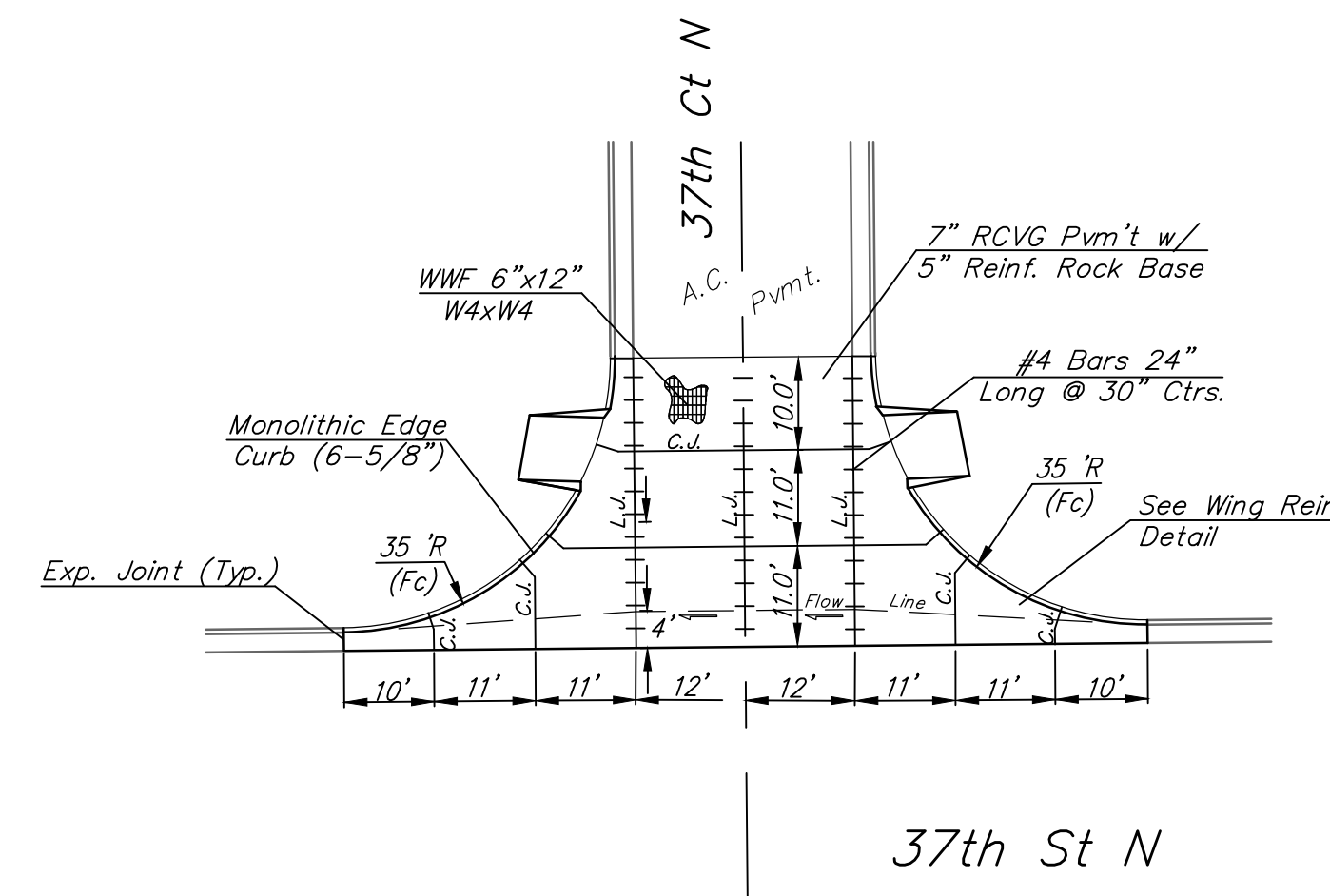
**OPTIONAL CONTRACTION JOINT (CONSTRUCTION JOINT)**



**WING REINFORCING DETAIL**



**CONCRETE MEDIAN NOSE DETAIL**



Scale: 1" = 20'

NOTE: 6" X 12" W4XW4 wire fabric reinforcing shall be placed so that the wires with the 6" spacing will run parallel with the longitudinal joints.

	Tyler's Landing 5th Addition	
	VALLEY GUTTER DETAILS Street Paving Improvements	
Baughman Company, P.A. 315 Ellis St. Wichita, KS 67211 P 316-262-7271 F 316-262-0149 ENGINEERING   SURVEYING   PLANNING   LANDSCAPE ARCHITECTURE		
PROJECT NUMBER 472-85193	DESIGN AEG	DRAWN JAK
REVISIONS:	APPROVED	DATE 03/15
	SCALE 1" = 20'	SHEET
	<b>5 OF 17</b>	