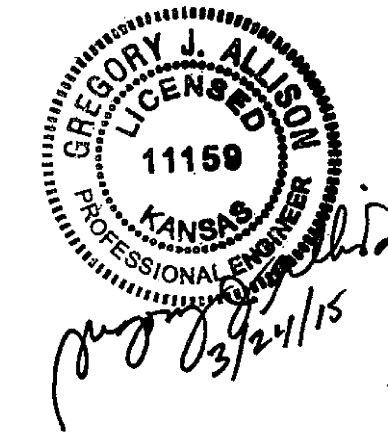
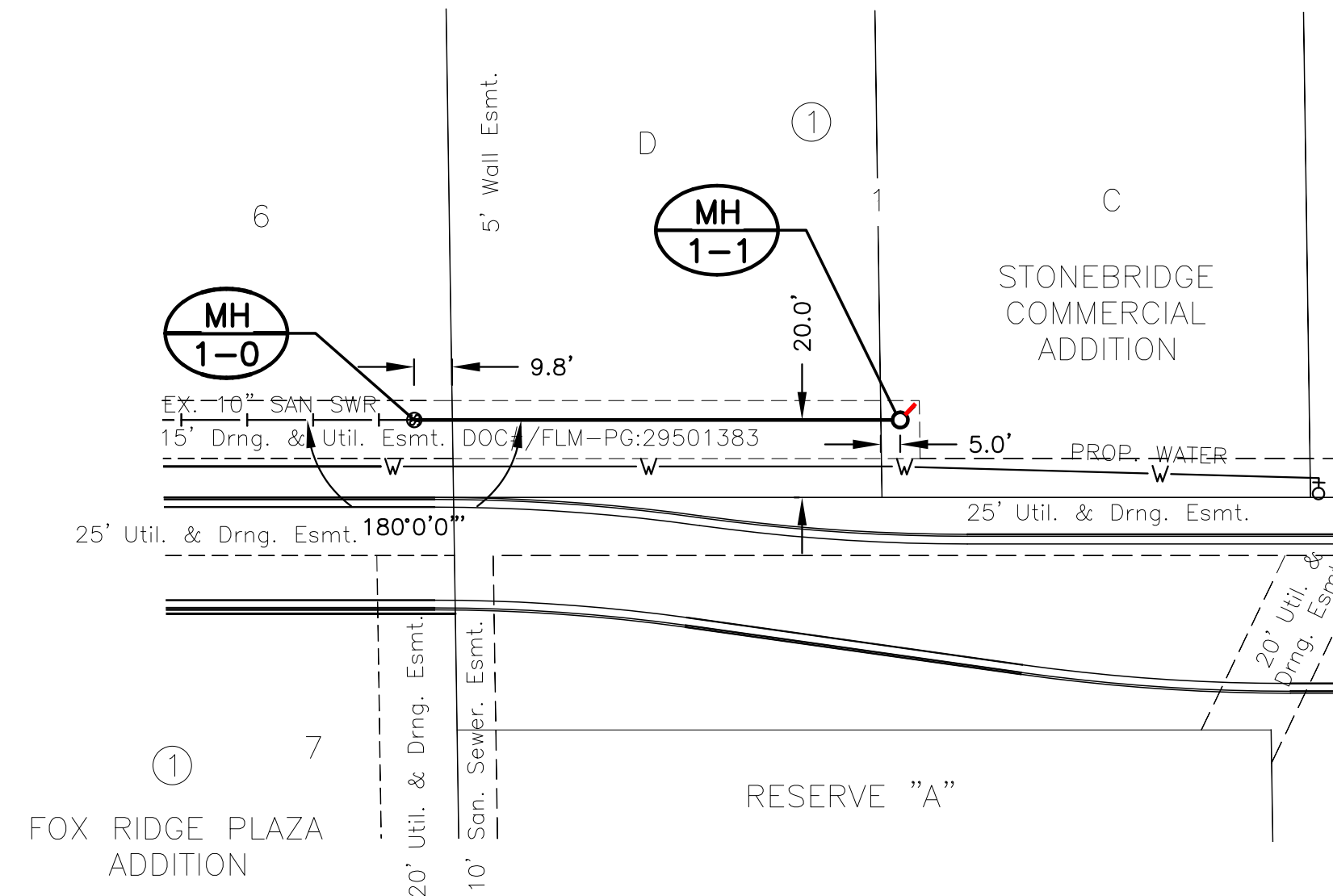
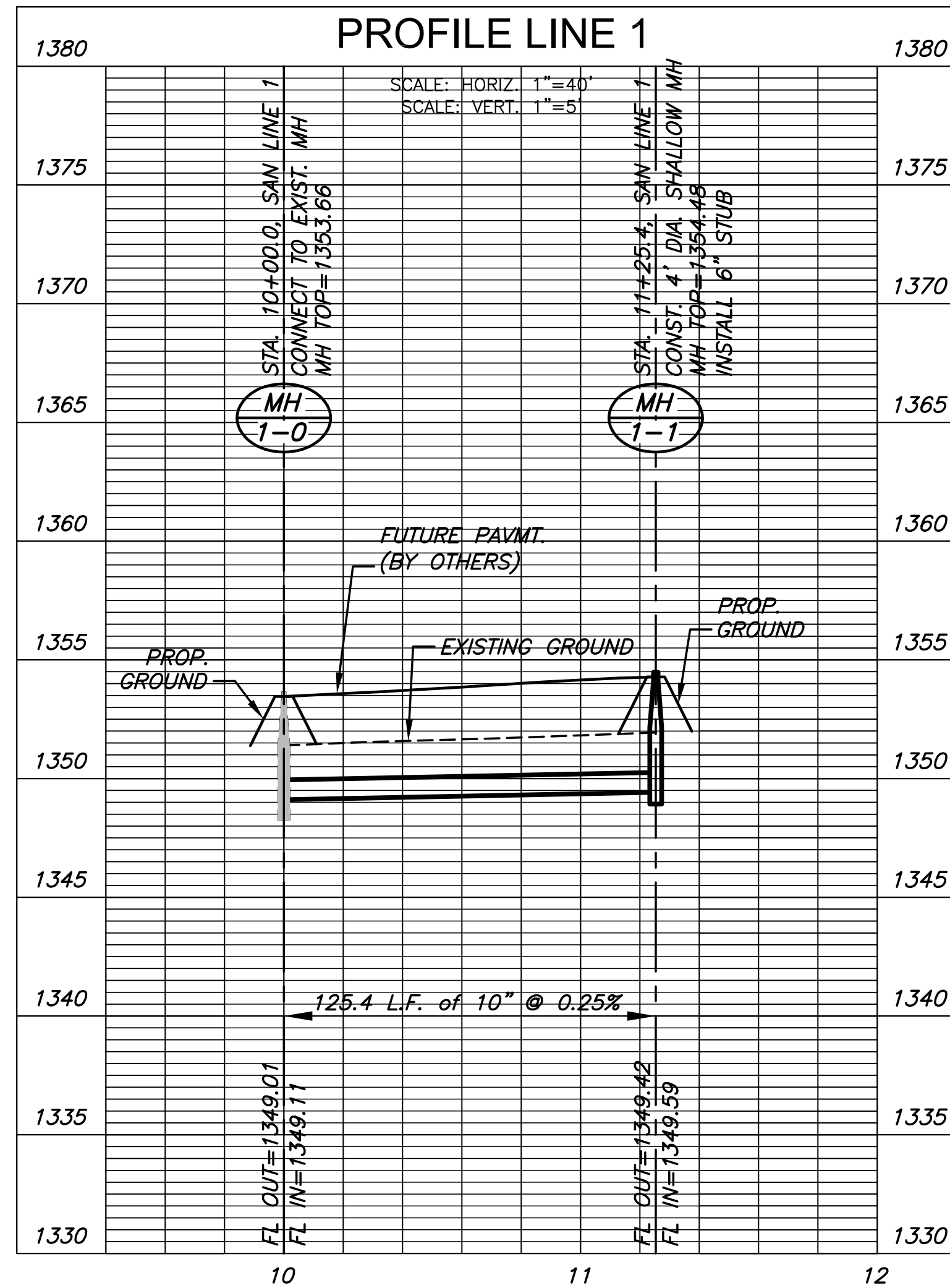


NOTE:

1. CONTRACTOR TO VERIFY THE DEPTH AND LOCATION OF EXISTING UTILITIES PRIOR TO CONSTRUCTION.
2. TRENCHES TO BE BACKFILLED WITH SAND AND FLUSHED WHEN SEWER LINES RUN ALONG FRONT OF LOTS.



**PLAN LINE 1
PROFILE LINE 1**



SANITARY SEWER PLANS FOR
STONEBRIDGE COMMERCIAL ADD.

©2015
MKEC Engineering
All Rights Reserved
www.mkec.com
These drawings and their contents, including, but not limited to, all concepts, designs, & ideas are the exclusive property of MKEC Engineering (MKEC), and may not be used or reproduced in any way without the express consent of MKEC.

LINE 1

PROJECT NO.	468-84829	
DATE	JAN. 2015	
SCALE	1"=40'	
DESIGNED	DRAWN	CHECKED
DFL	BKS	GJA
NO.	REVISION	DATE