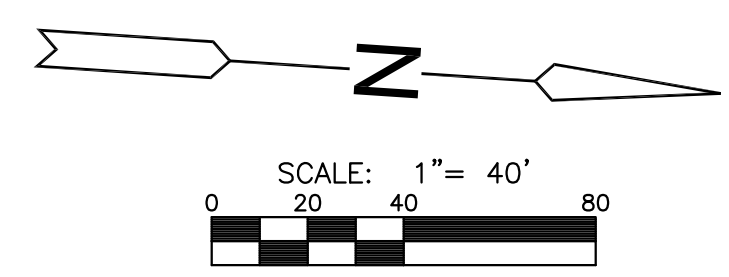
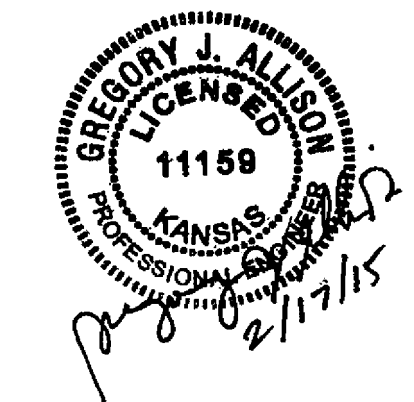
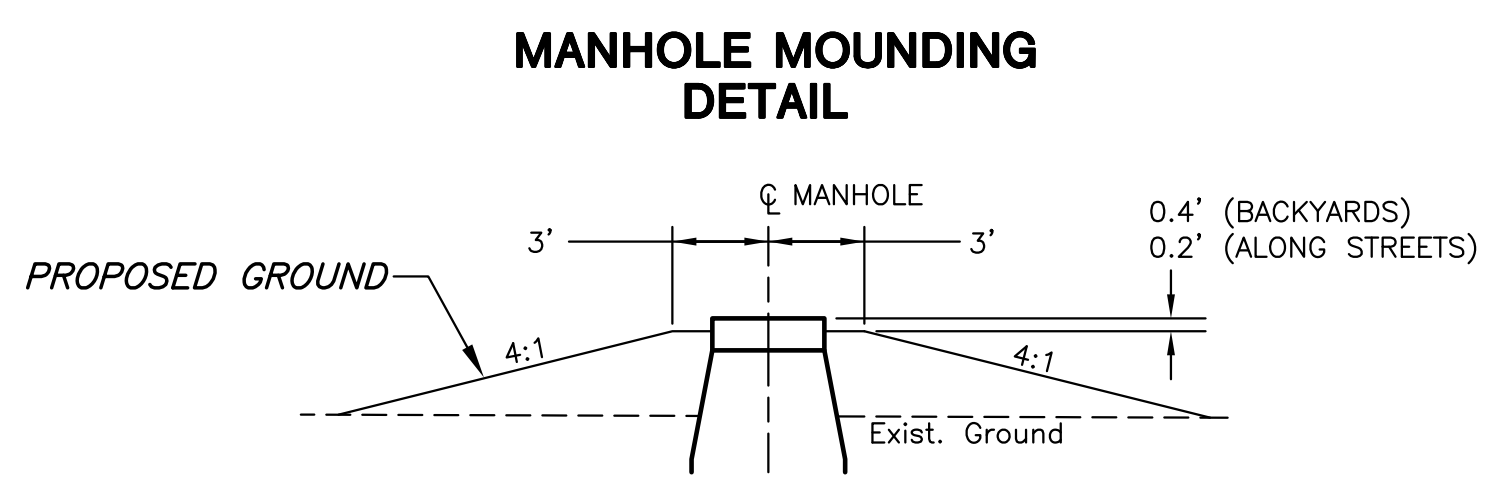
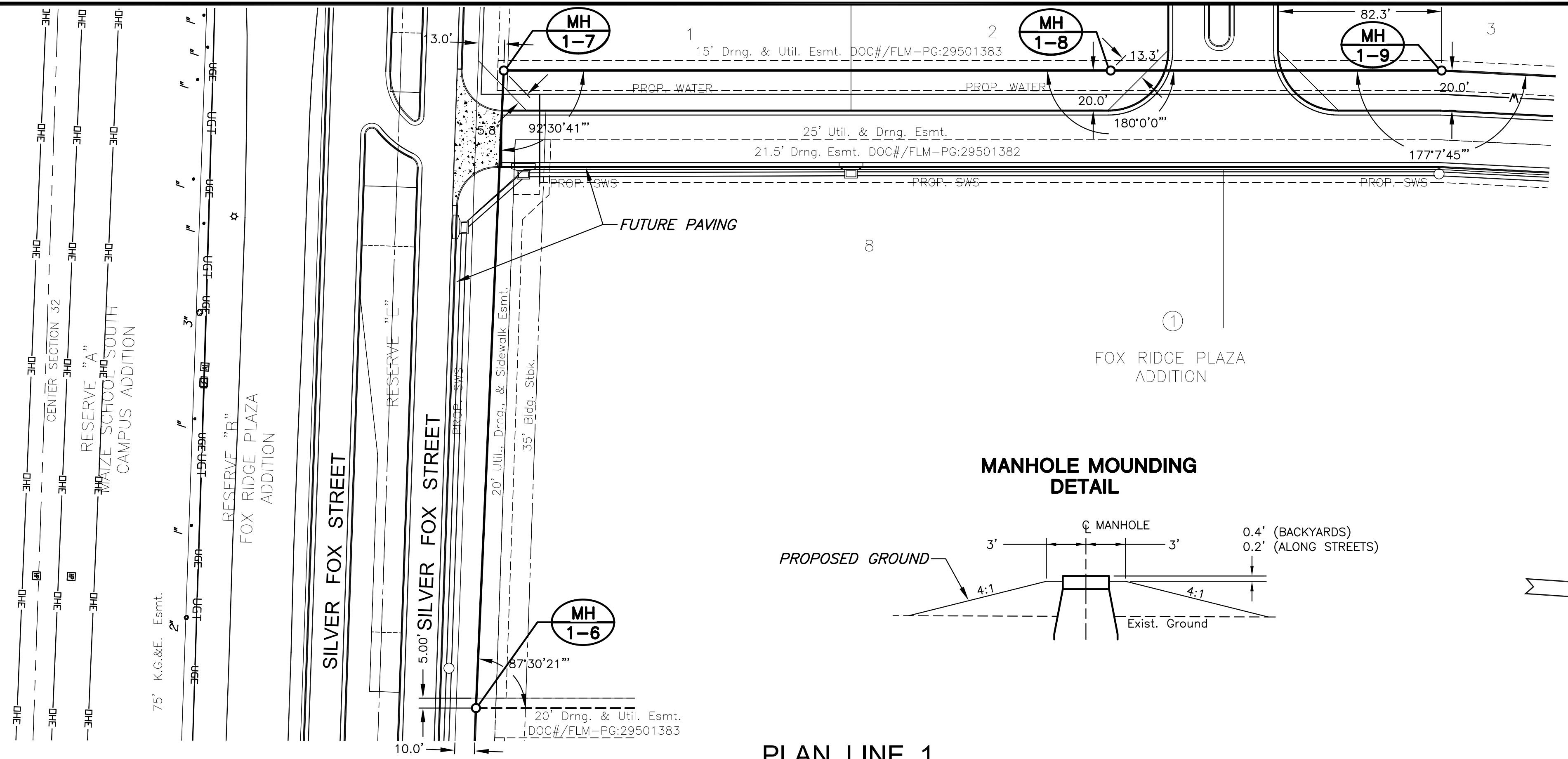


SANTARY SEWER PLANS FOR
FOX RIDGE PLAZA ADDITION

©2015
MKEC Engineering
All Rights Reserved
www.mkec.com
These drawings and their contents, including, but not limited to, all concepts, designs, & ideas are the exclusive property of MKEC Engineering (MKEC), and may not be used or reproduced in any way without the express consent of MKEC.

LINE 1		
PROJECT NO.	468-84951	
DATE	DEC. 2014	
SCALE	AS SHOWN	
DESIGNED	DRAWN	CHECKED
DFL	KKL	GJA
NO.	REVISION	DATE
SHEET NO.		
7 OF 16		

NOTE:
CONTRACTOR TO VERIFY THE DEPTH AND LOCATION OF EXISTING UTILITIES PRIOR TO CONSTRUCTION.



**PLAN LINE 1
PROFILE LINE 1**

