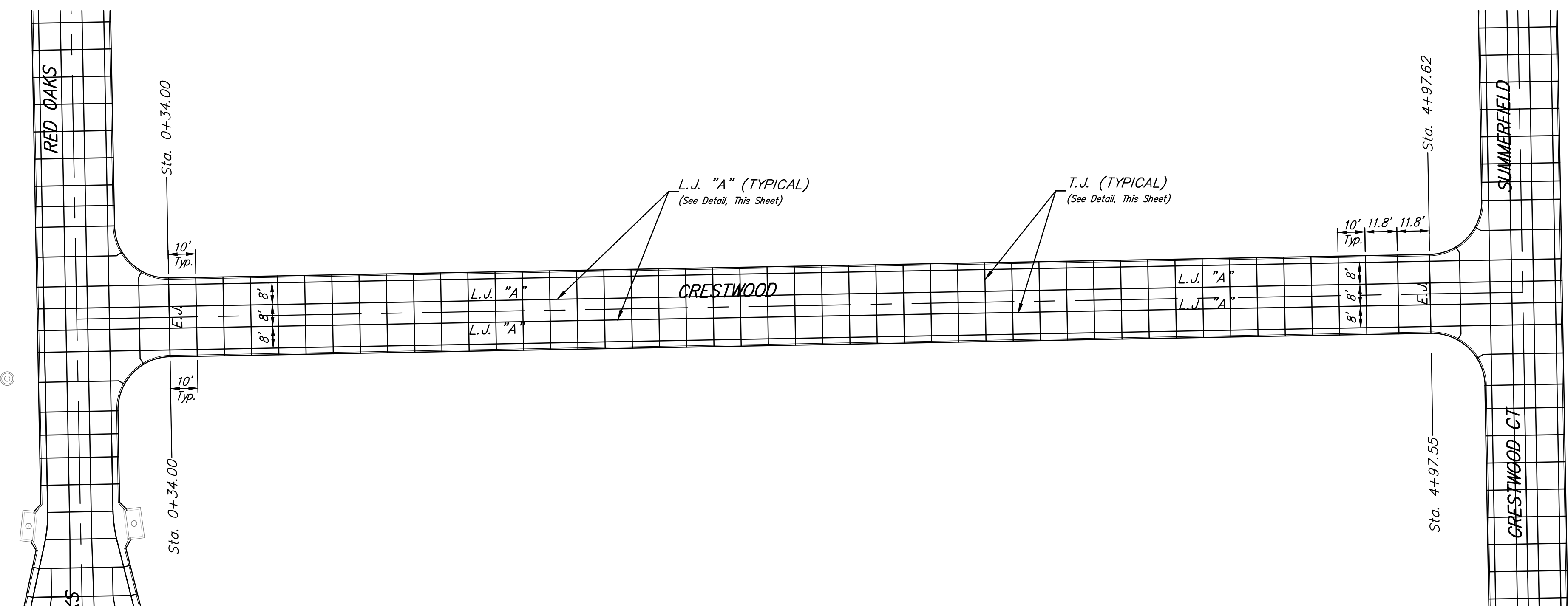
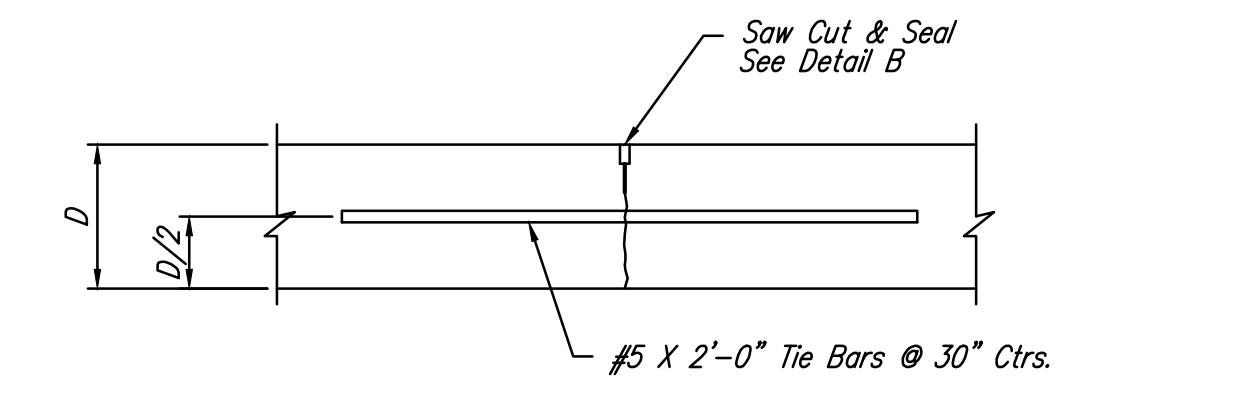
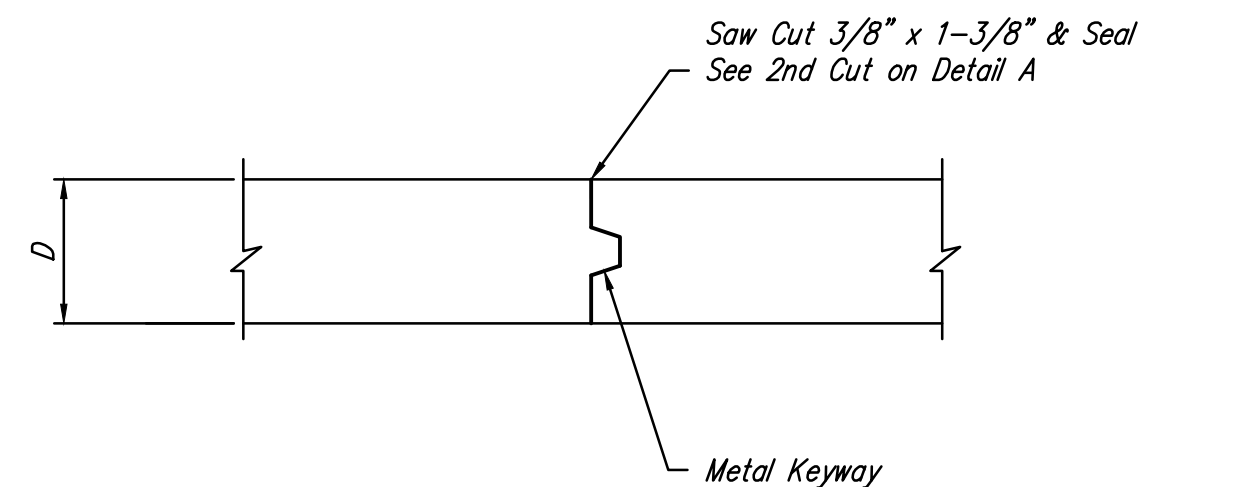
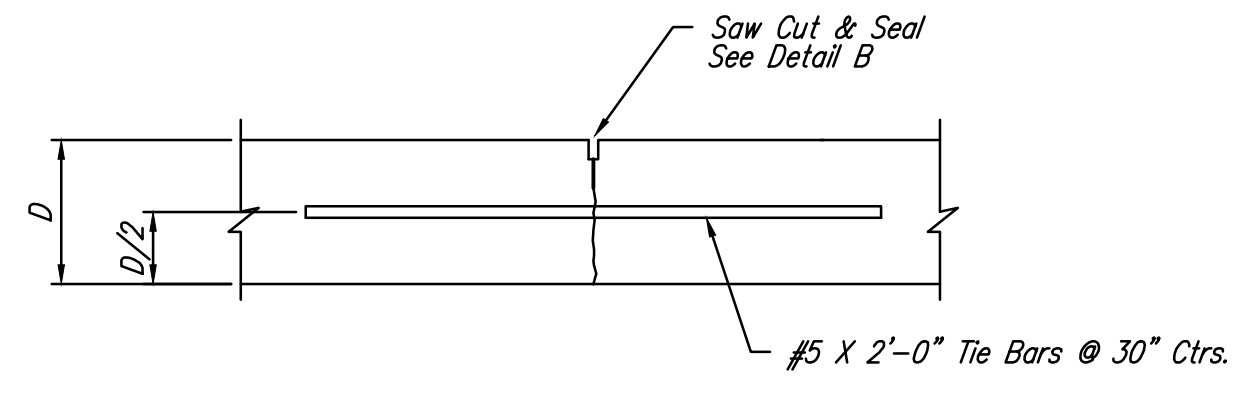


NOTE:
 All transverse dimensions
 are for back of curb.

At locations where L.J. "A"
 (keyway) is noted to be
 constructed, L.J. "B" (rebar) shall
 be used if both sides of joint are
 poured simultaneously



		The Waterfront 7th Addition	
		JOINT PLAN	
<small>Baughman Company, P.A. 315 Ellis St. Wichita, KS 67211 P 316-262-7271 F 316-262-0149 ENGINEERING SURVEYING PLANNING LANDSCAPE ARCHITECTURE</small>			
PROJECT NUMBER	DESIGN	DRAWN	
	AEG	JAK	
REVISIONS:	JAK/AEG	APPROVED	DATE
4-8-15			3/15
Revised Joint Locations, rev. types, added details		SCALE	
		Noted	
		SHEET	
		16 OF 33	