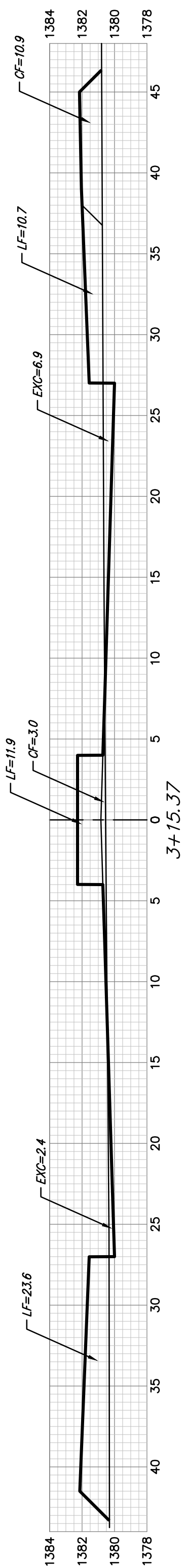
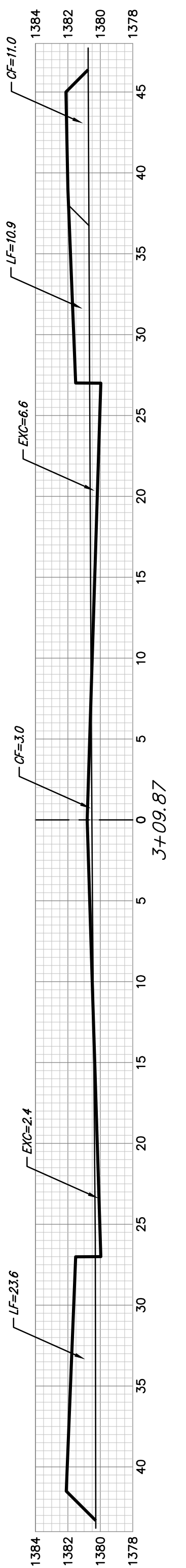


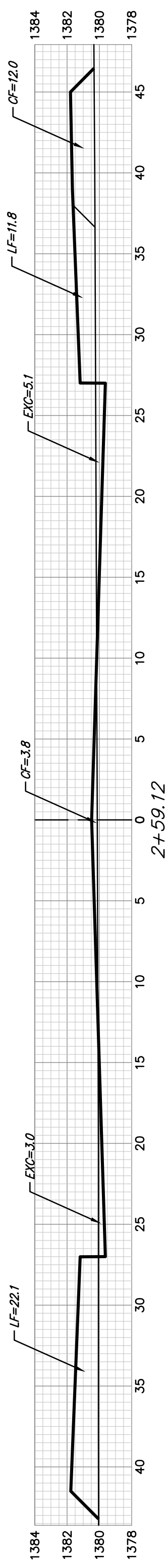
EXC = 11.2
LF = 59.5
CF = 18.3



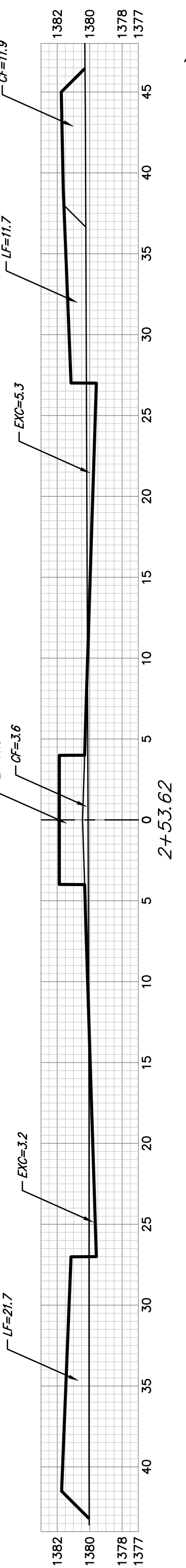
EXC = 1.9
LF = 8.2
CF = 2.8



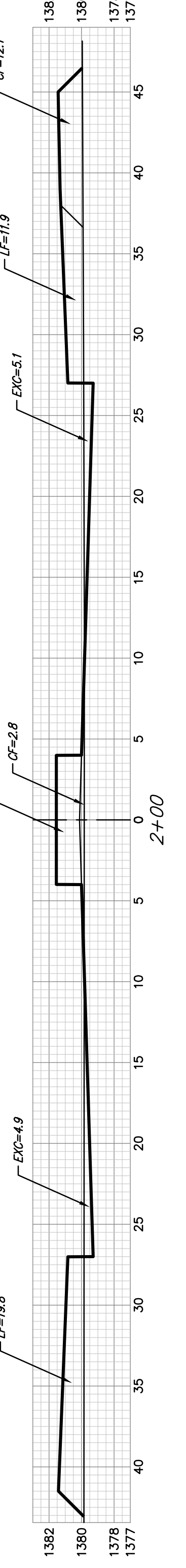
EXC = 16.1
LF = 64.3
CF = 28.0



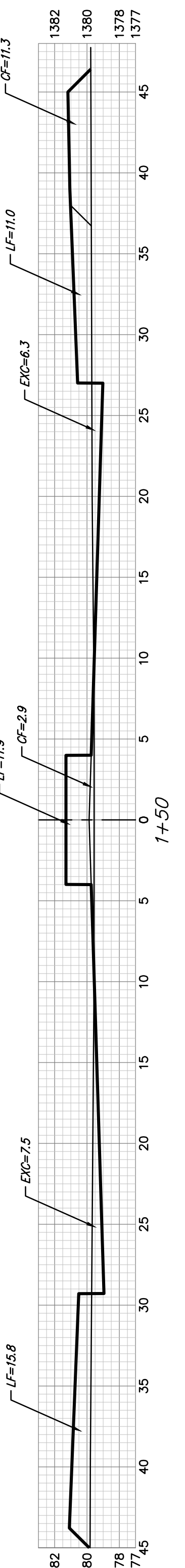
EXC = 1.7
LF = 8.1
CF = 3.2



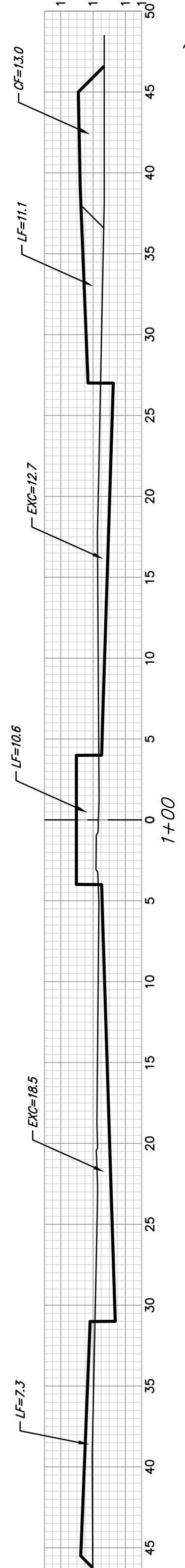
EXC = 18.4
LF = 88.3
CF = 30.2



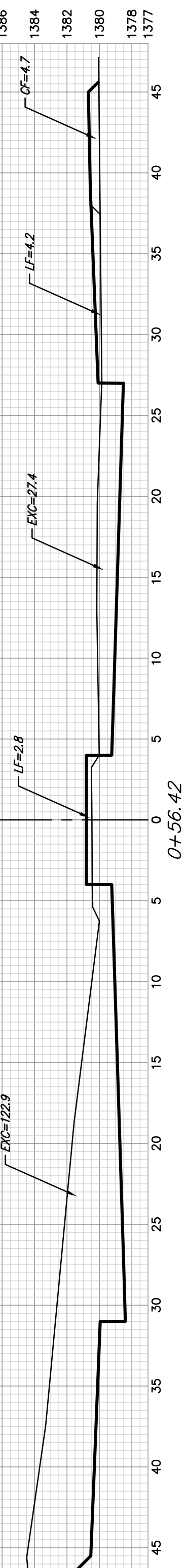
EXC = 22.0
LF = 66.0
CF = 26.9



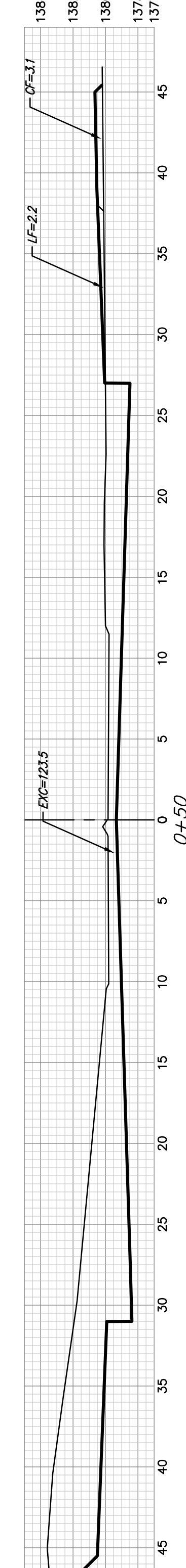
EXC = 41.7
LF = 52.5
CF = 25.2



EXC = 146.5
LF = 29.1
CF = 14.3



EXC = 32.6
LF = 1.1
CF = 0.9



SHEET TOTAL: (Cubic Yards)
EXCAVATION = 292.0
LOOSE FILL = 377.0
COMPACTED FILL = 149.8

