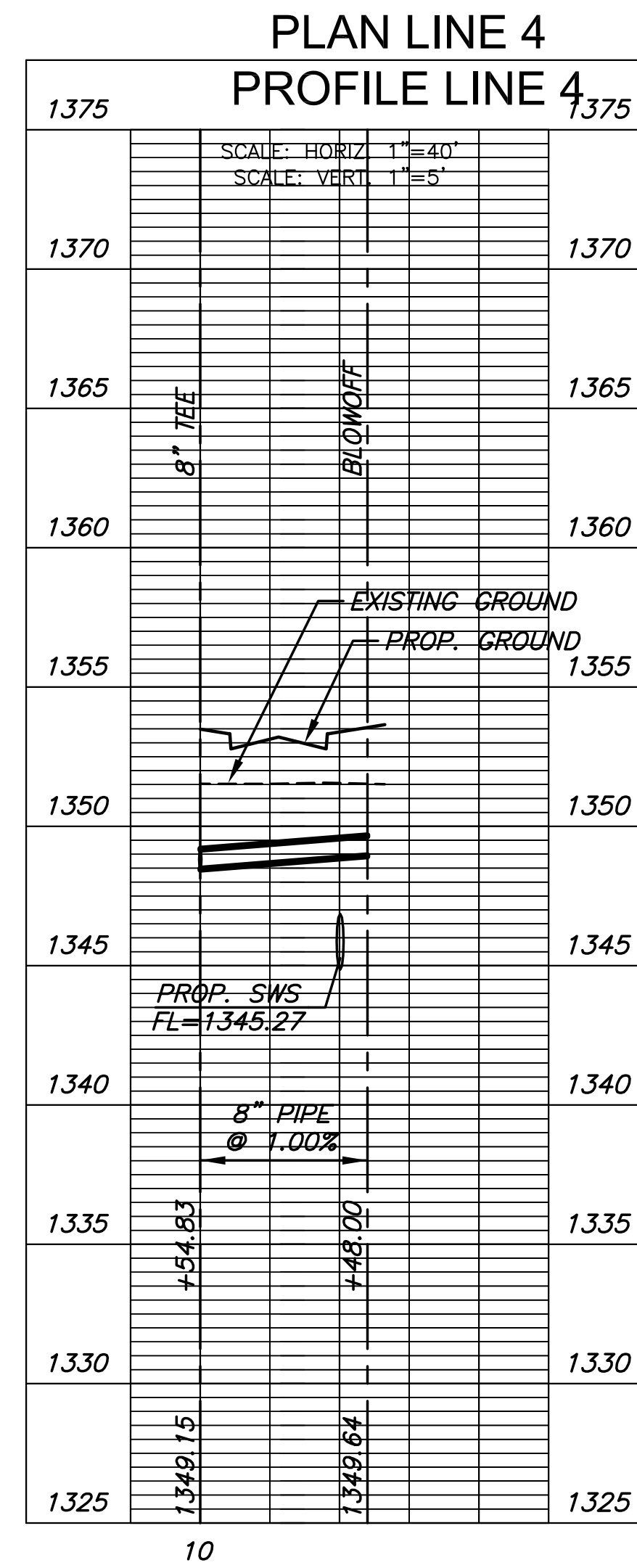
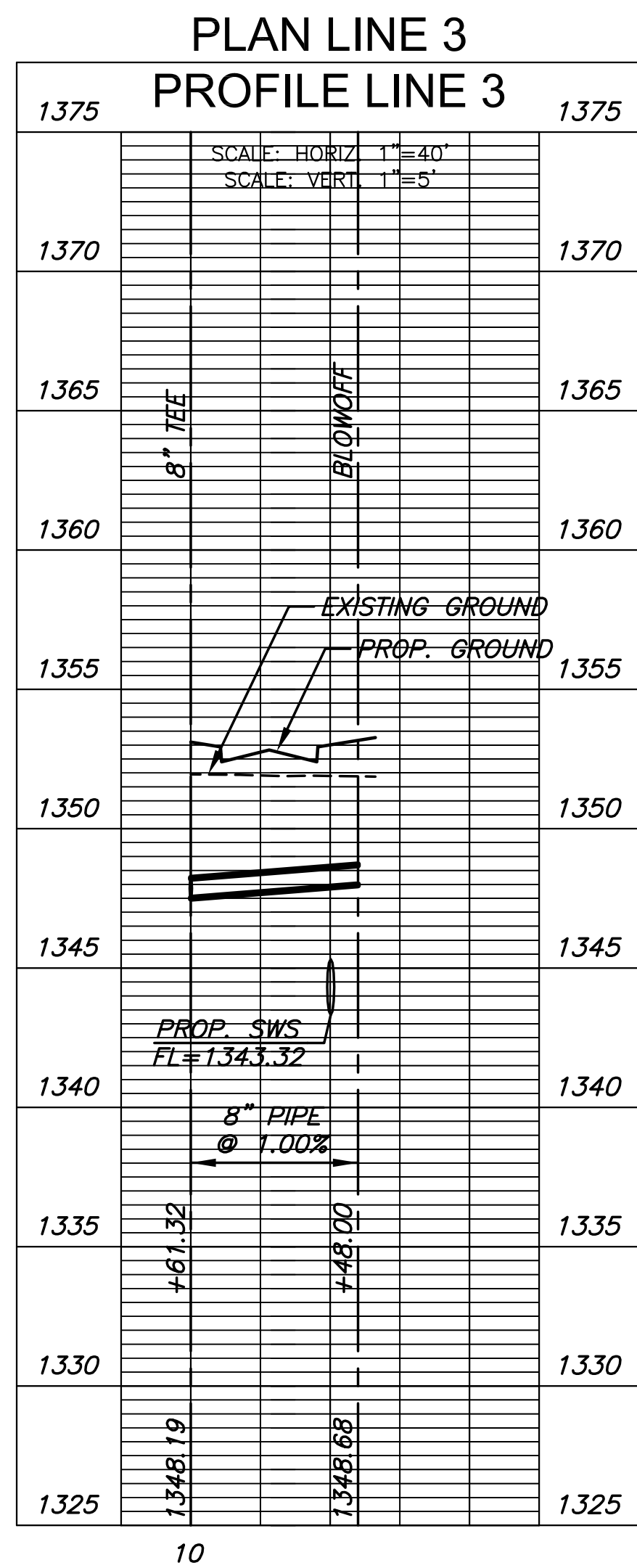
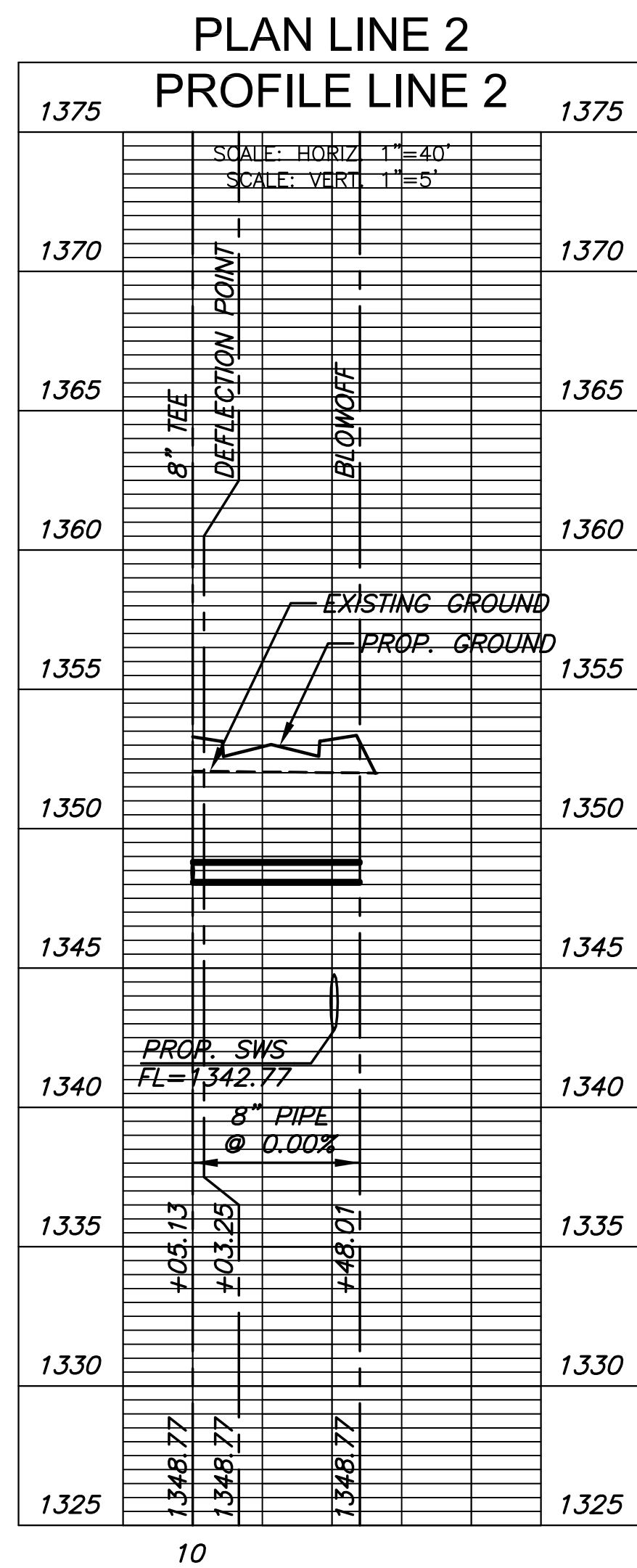
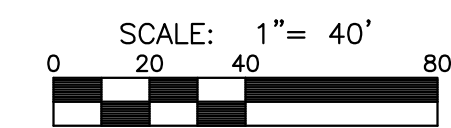


NOTE:
CONTRACTOR TO VERIFY
LOCATION AND ELEVATION OF
EXISTING WATER LINES AND
ALL OTHER UTILITIES PRIOR
TO CONSTRUCTION.



GREGORY J. ALLISON
LICENSED PROFESSIONAL ENGINEER
KANSAS
11150
4/14/15

WATER DISTRIBUTION PLANS FOR
FOX RIDGE PLAZA ADDITION
WICHITA, KANSAS

©2015
MKEC Engineering
All Rights Reserved
www.mkec.com
These drawings and their contents, including, but not limited to, all concepts, designs, & ideas are the exclusive property of MKEC Engineering (MKEC), and may not be used or reproduced in any way without the express consent of MKEC.

LINE 2, 3, & 4

PROJECT NO.	448-90631
DATE	MARCH 2015
SCALE	AS SHOWN
DESIGNED	DFL
DRAWN	KKL
CHECKED	GJA

NO.	REVISION	DATE
-----	----------	------

SHEET NO.