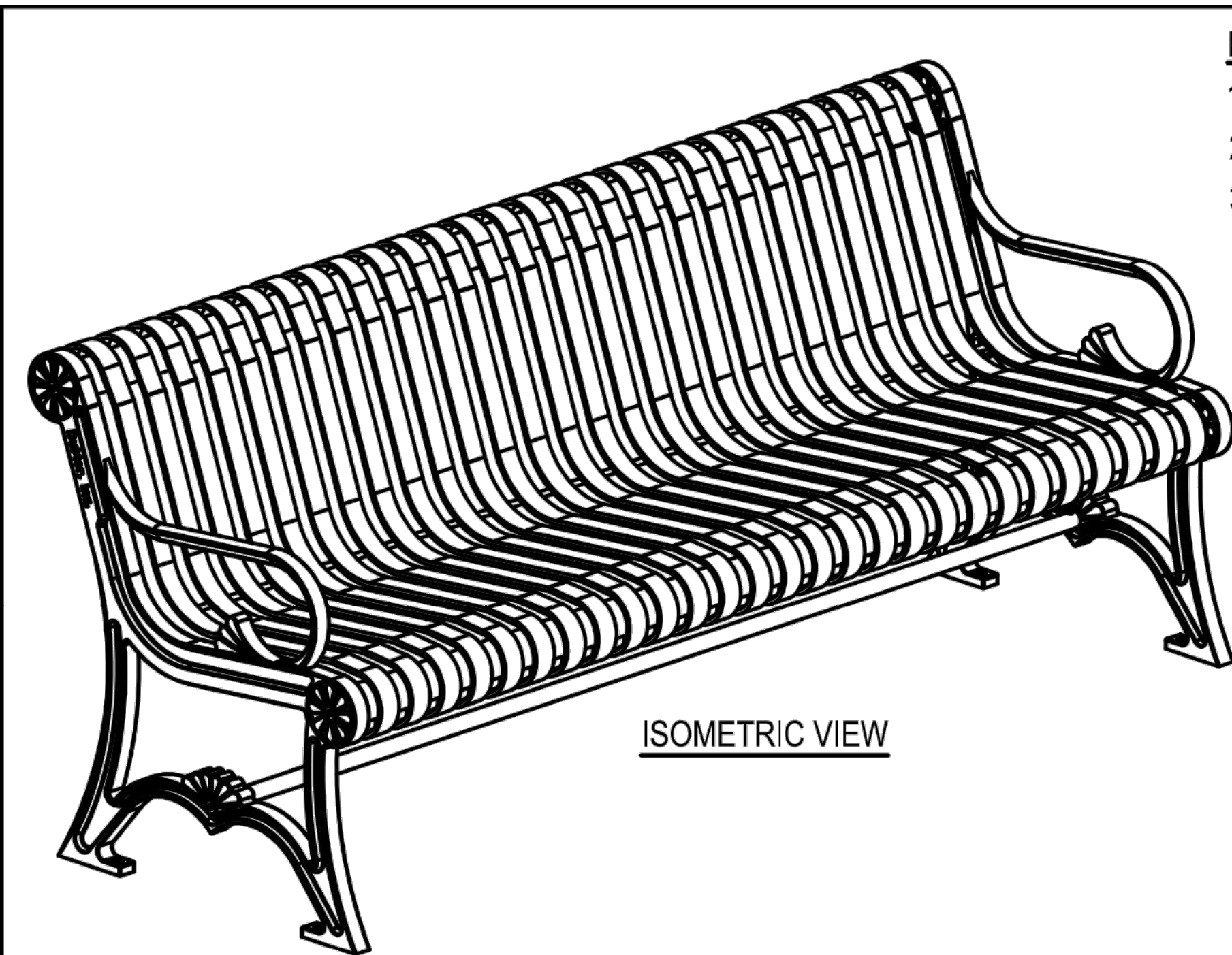
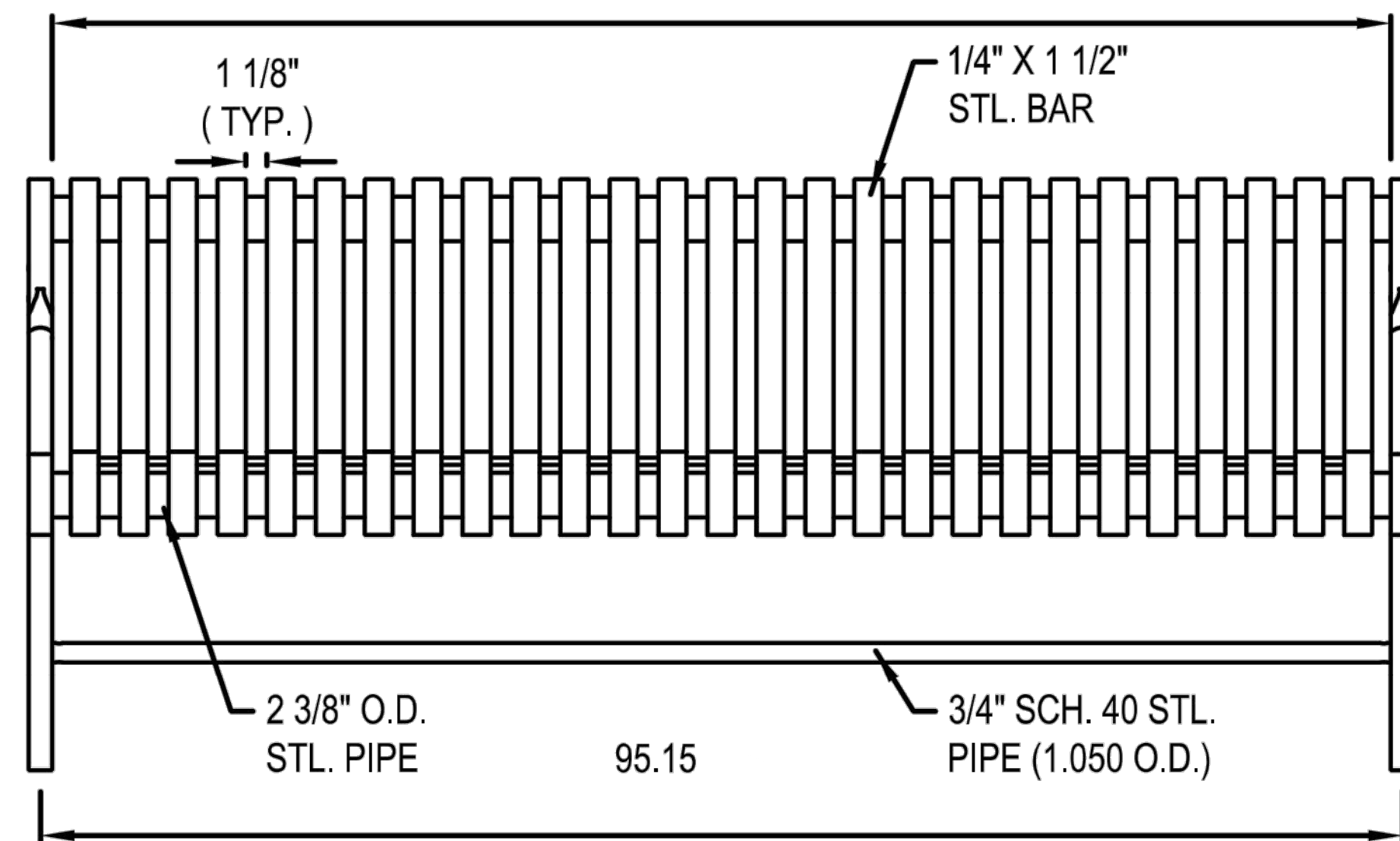


STATE	PROJECT NO.	YEAR
KANSAS	87 TE-0399-01	2014
F.A. NO.	TEA-TO39(901)	

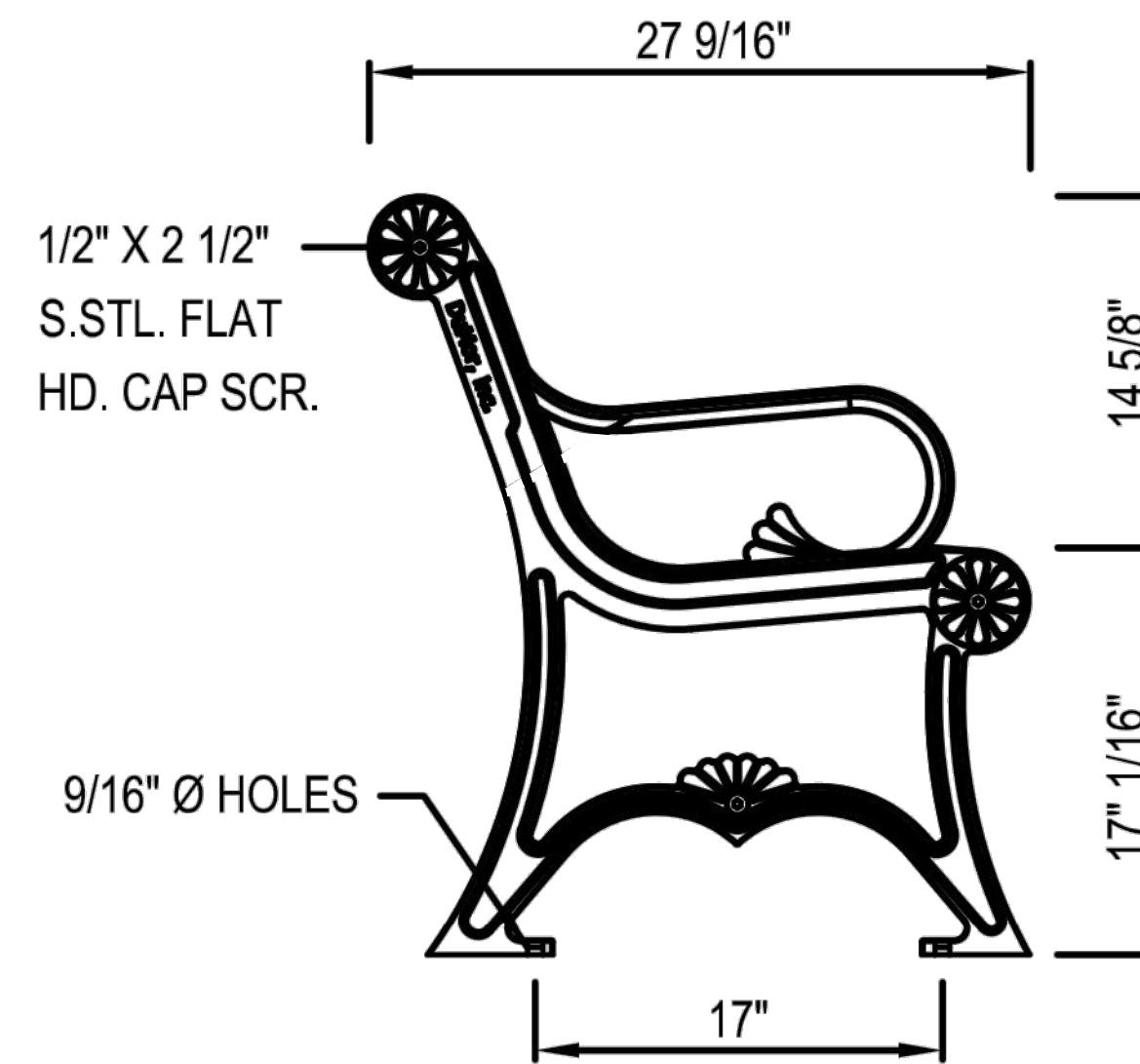


ISOMETRIC VIEW

71 3/4"



FRONT VIEW



SIDE VIEW

**NOTES:**

1. INSTALLATION TO BE COMPLETED IN ACCORDANCE WITH MANUFACTURER'S SPECIFICATIONS.
2. DO NOT SCALE DRAWINGS.
3. ALL STL. MEMBERS COATED W/ ZINC RICH EPOXY THEN FINISHED W/ POLYESTER POWDER COATING. W/ POLYESTER POWDER COATING (BLACK).

*"BUY AMERICA" rules apply to this project for all steel, cast iron, and paint products.*

*Summary of Quantities*

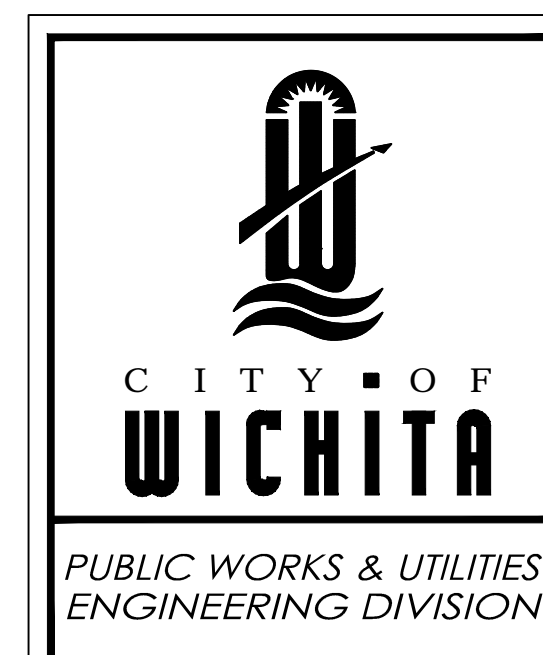
Bid Item Description	Quantities	Units
Mobilization	1	LS
Site Clearing	1	LS
Removal of Structures	1	LS
Excavation	450	CY
Seeding(Buffalo)	1	LS
Traffic Control	1	LS
Concrete Bike Path 5"(Reinforced)	6500	SY
Wheelchair Ramp w/ Detectable Warning	1	EA
Special Waste Removal	100	CY
BMP, Back of Curb Protection	10560	LF
Steel Bench	2	EA

4

**STEEL BENCH**

**NOT TO SCALE**

REVISION DATE: Sept. 2014



REDBUD MULTI-USE PATH  
PHASE II  
OLIVER to WOODLAWN  
CITY ENGINEER  
GARY JANZEN, P.E.

PROJECT NUMBER 472-85117	OCA NUMBER 707058	DATE 5/9/2014
CITY ENGINEER'S OFFICE CITY HALL - SEVENTH FLOOR 455 NORTH MAIN STREET WICHITA, KANSAS 67202-1620 (316) 268-4501		SHEET 7 of 9