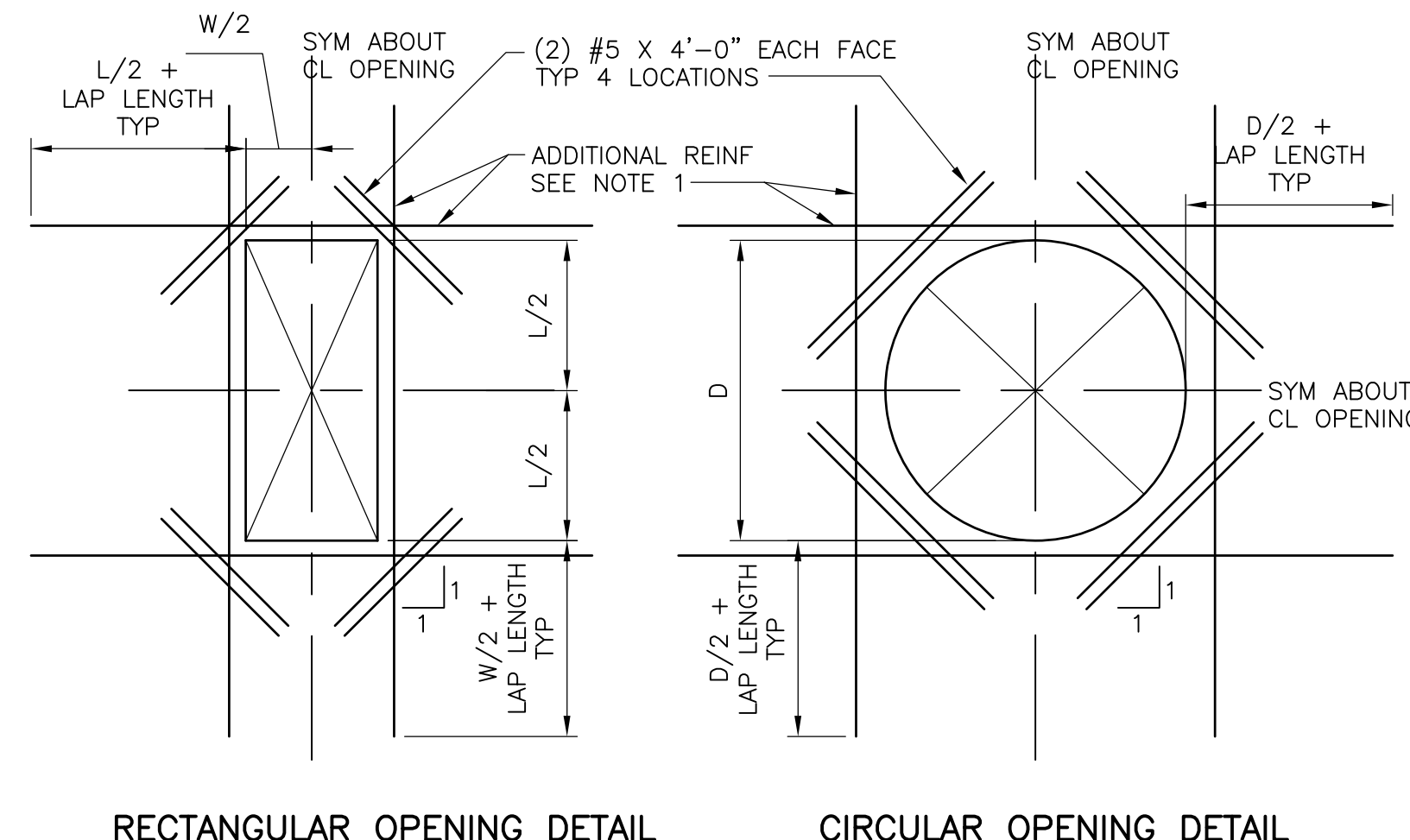


©2014 CDM SMITH ALL RIGHTS RESERVED. THESE DOCUMENTS AND DESIGNS PROVIDED BY PROFESSIONAL SERVICE, INCORPORATED HEREIN, ARE THE PROPERTY OF CDM SMITH AND ARE NOT TO BE USED, IN WHOLE OR PART, FOR ANY OTHER PROJECT WITHOUT THE WRITTEN AUTHORIZATION OF CDM SMITH.

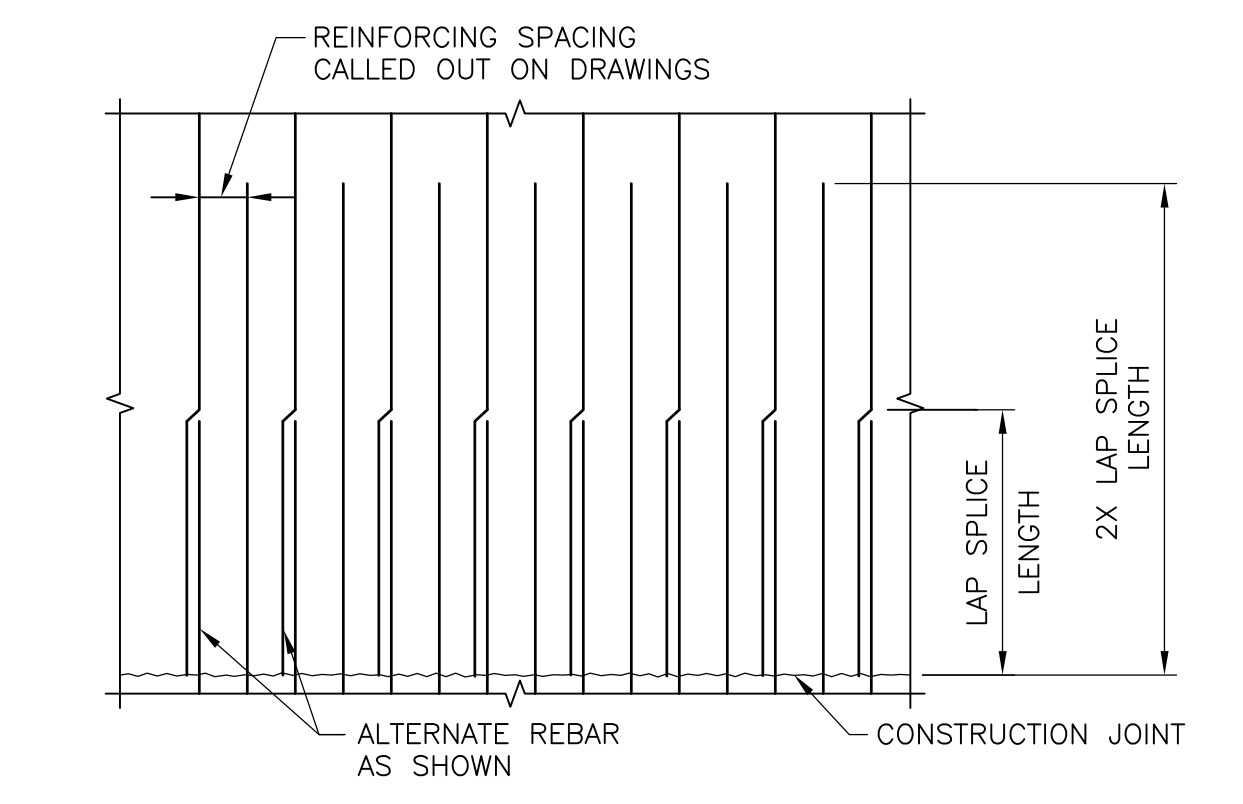
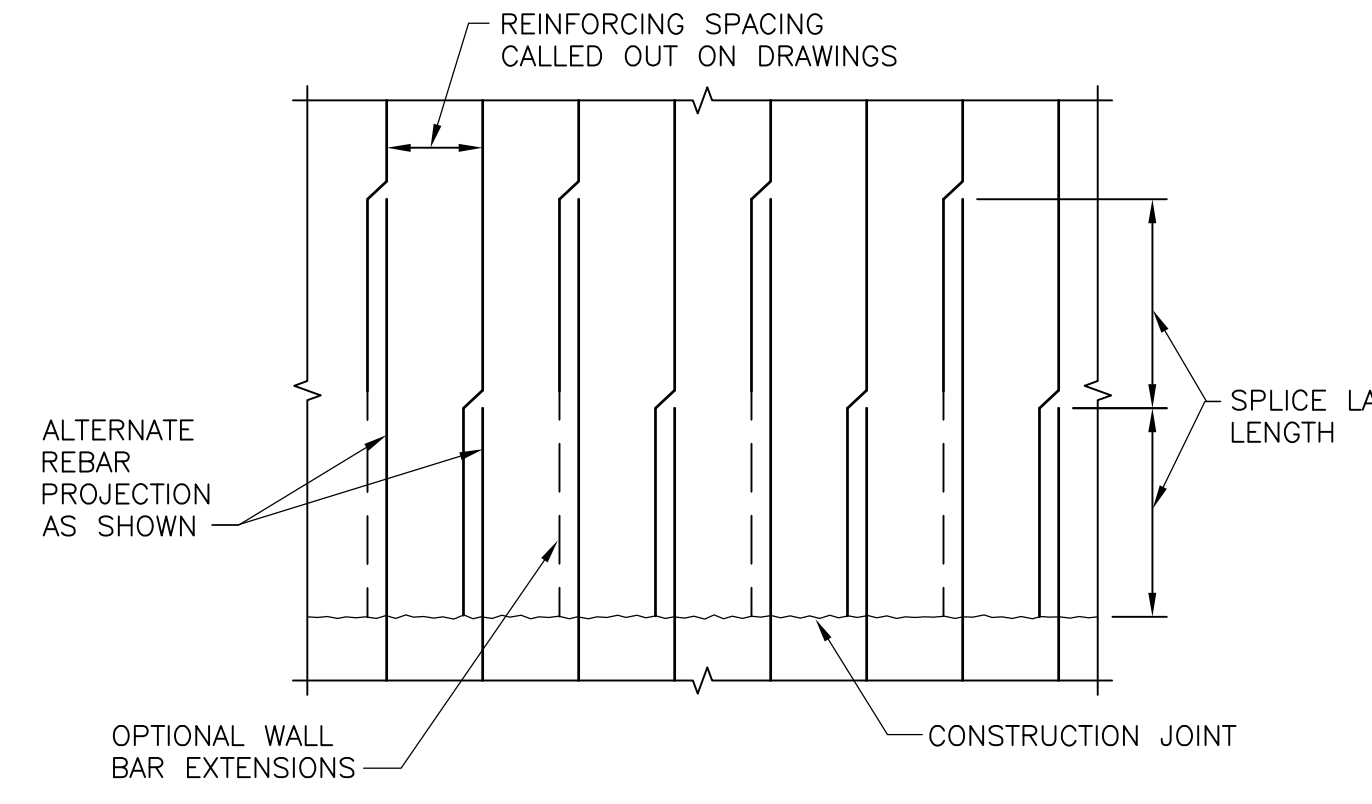


- NOTES:**
1. PROVIDE ADDITIONAL REINFORCING THE SAME SIZE AS DISCONTINUOUS REINFORCEMENT AT OPENING. QUANTITY OF REINFORCING IN EACH DIRECTION SHALL BE EQUAL TO OR ONE GREATER THAN THE NUMBER OF DISCONTINUOUS BARS. PLACE 1/2 OF ADDITIONAL REINFORCING BARS EACH SIDE OF OPENING, PLACE ADDITIONAL REINFORCEMENT AT 3" OC (TYPICAL BOTH DIRECTIONS AND ALL LAYERS OF REINFORCEMENT). START FIRST BAR 2" CLEAR TO OPENING.
  2. EXTEND ADDITIONAL REINFORCING BEYOND EDGE OF OPENING AS SHOWN ABOVE. ADDITIONAL BARS MAY TERMINATE AT THE END OF THE WALL WITH A STANDARD HOOK WHERE THE LENGTH OF THE WALL WILL NOT PERMIT BARS TO EXTEND AS SHOWN ABOVE.
  3. TYPICAL WALL OR SLAB REINFORCING NOT SHOWN FOR CLARITY. TERMINATE TYPICAL REINFORCING 2" CLEAR TO OPENING.
  4. OPENINGS 12" OR LESS IN SLABS AND OPENINGS 18" OR LESS IN WALLS, NO EXTRA REBARS ARE REQUIRED UNLESS SHOWN OTHERWISE. TYPICAL REINFORCING SHALL BE RESPACED (NOT CUT) TO ALLOW FOR OPENINGS TO BE MADE.
  5. UNLESS SHOWN OTHERWISE ON DRAWINGS, PROVIDE EXTRA REINFORCING AROUND OPENINGS AS SHOWN AND INDICATED ABOVE.
  6. PROVIDE ADDITIONAL DOWELS PER NOTE 1 ABOVE FOR ALL OPENINGS NEAR THE FLOOR SLAB, BASE SLAB, OR CORNERS.

**RECTANGULAR OPENING DETAIL**      **CIRCULAR OPENING DETAIL**

**EXTRA REINFORCING AROUND OPENINGS**

1  
-

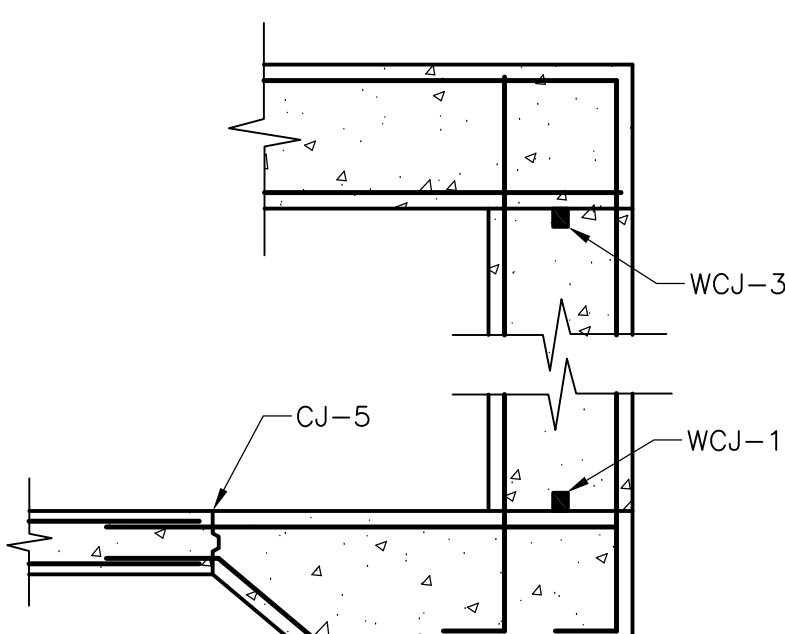
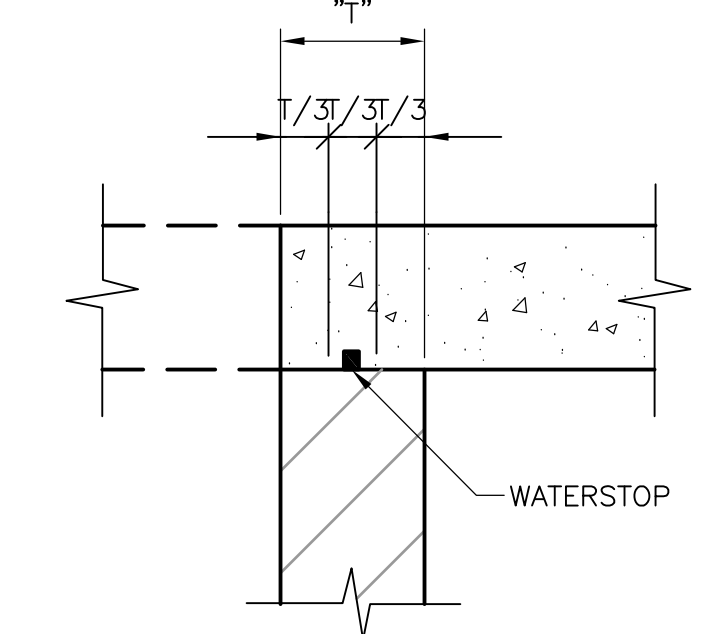
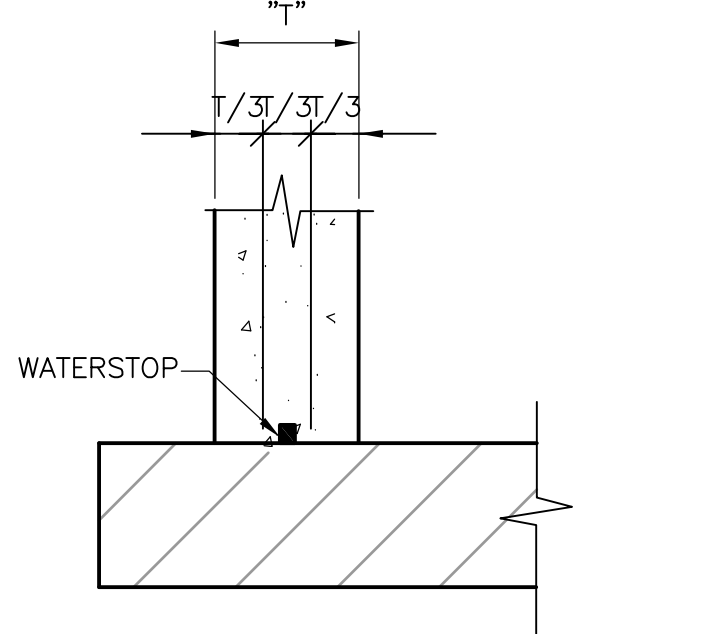


**STAGGERED REINFORCING AT CONSTRUCTION JOINT**

**WALL VERTICAL REINFORCING AT CONSTRUCTION JOINT**

2  
-

3  
-



**WCJ-1 WITH WATERSTOP**  
**CJ-2 WITHOUT WATERSTOP**

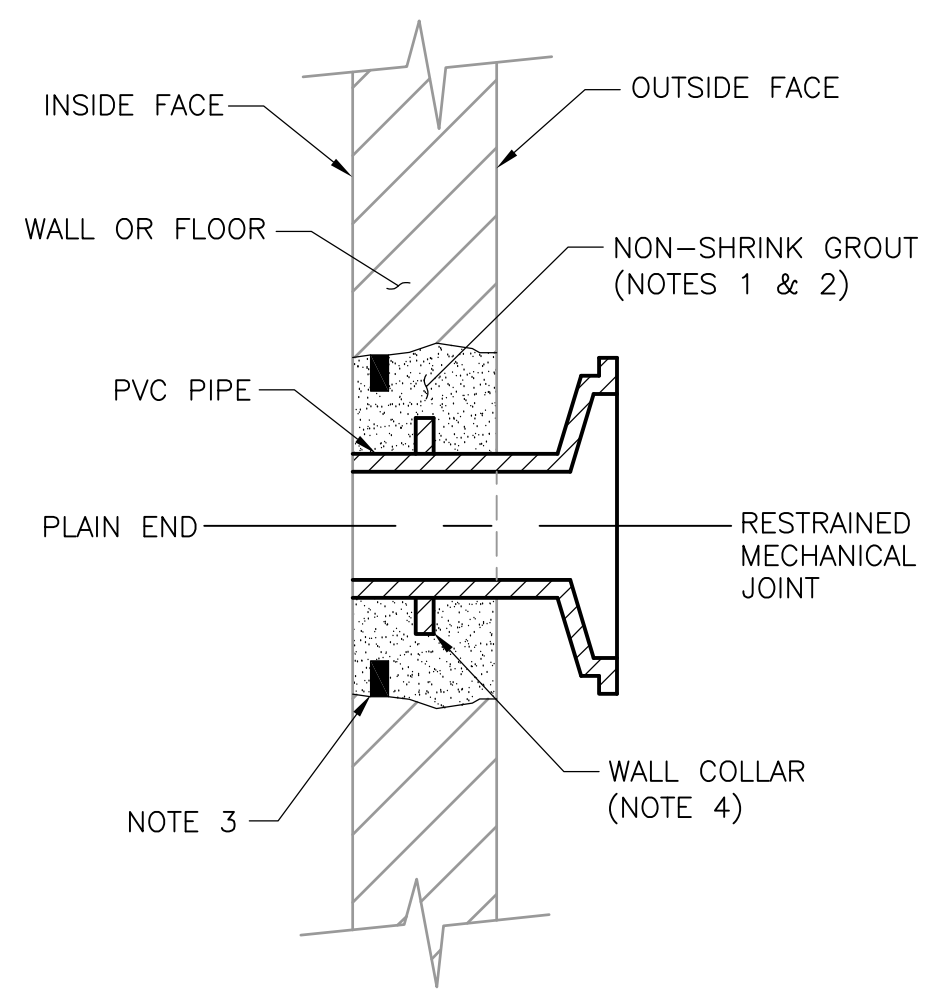
**WCJ-3 WITH WATERSTOP**  
**CJ-4 WITHOUT WATERSTOP**

**CJ EXAMPLES**

**JOINT DETAIL**

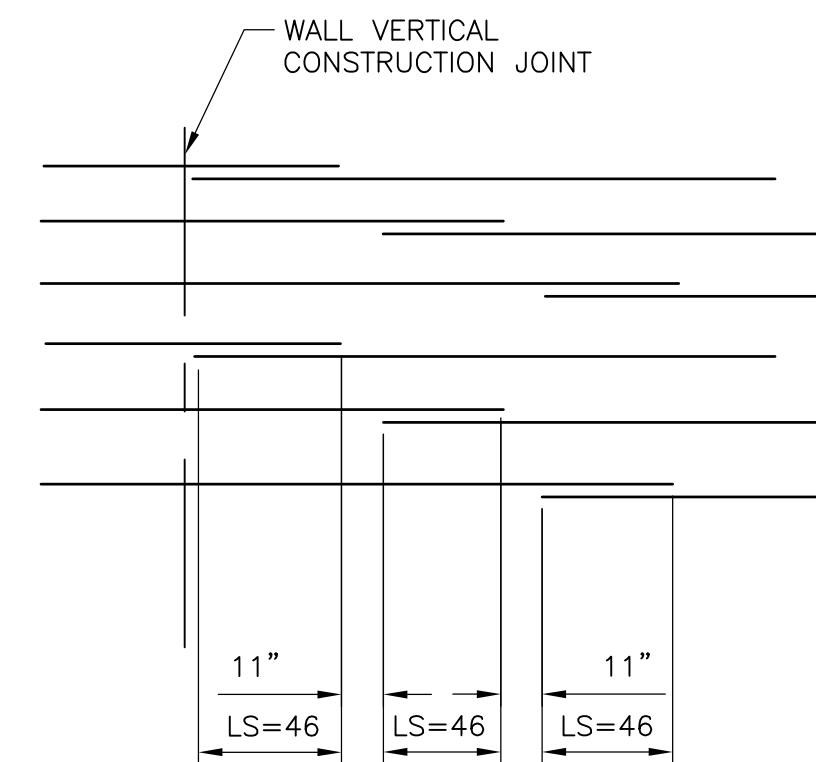
5  
-

- NOTES:**
1. BREAK OUT, OR CORE DRILL WALL A MINIMUM OF TWO (2) INCHES LARGER THAN PLASTIC WATERSTOP AND GROUT IN PLACE.
  2. EPOXY BONDING AGENT SHALL BE APPLIED TO ALL CONCRETE SURFACES TO BE GROUTED.
  3. SYNKO-FLEX PLASTIC WATERSTOP. LOCATE ON THE INSIDE FACE "SIDE" OF THE PIPE PENETRATION. LOCATE BETWEEN OUTSIDE DIAMETER OF PIPE AND INSIDE EDGE OF WALL SURFACE.
  4. WALL COLLAR SHALL BE LOCATED IN CENTER OF THE WALL.
  5. DRILL EXPOSED REBAR 2" BEYOND FACE OF WALL. PROVIDE NON-SHRINK GROUT AT DRILL LOCATIONS TO FILL VOIDS.



**WALL PIPE PENETRATION**

6  
-

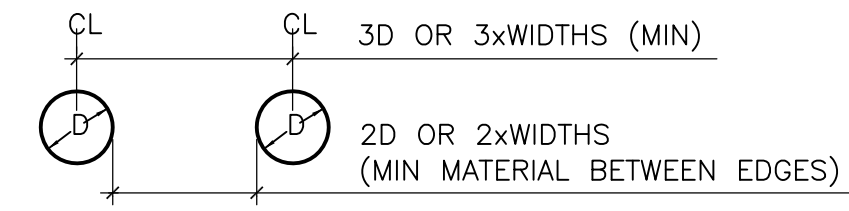


**LAP SPLICE STAGGERS DETAIL FOR WALL HORIZONTAL REINFORCING**

4  
-

**NOTE:**  
CONSTRUCTION JOINT LOCATIONS ARE DEFINED IN PLAN OR IN SECTION ON OTHER DRAWINGS. REFER TO THE FOLLOWING EXAMPLES OF CONSTRUCTION JOINTS SHOWN IN SECTION. THE SECTIONS SHOWN ON OTHER DRAWINGS WILL DEFINE THE REQUIRED "CJ" OR "WCJ" DETAIL BUT MAY NOT GRAPHICALLY SHOW THE REQUIRED WATERSTOP. REINF MAY NOT BE SHOWN ON CJ DETAILS FOR CLARITY. HOWEVER, ALL REINF SHALL BE CONTINUOUS THROUGH CONSTRUCTION JOINTS UNO.

- NOTE:**
1. DO NOT CUT OR EXPOSE REBAR IN BEAMS/SLAB.
  2. MAXIMUM HOLE DIAMETER NOT TO EXCEED 4"
  3. D=HOLE DIAMETER
  4. CONTRACTOR TO COORDINATE REQ'D. PENETRATIONS THROUGH BEAMS/SLAB W/MECHANICAL, ELECTRICAL & PLUMBING DRAWINGS. PROVIDE SLEEVES WITHIN CONCRETE CONSTRUCTION PREVENTING THE NEED TO DRILL HOLES FOR PENETRATION REQ'MNTS.

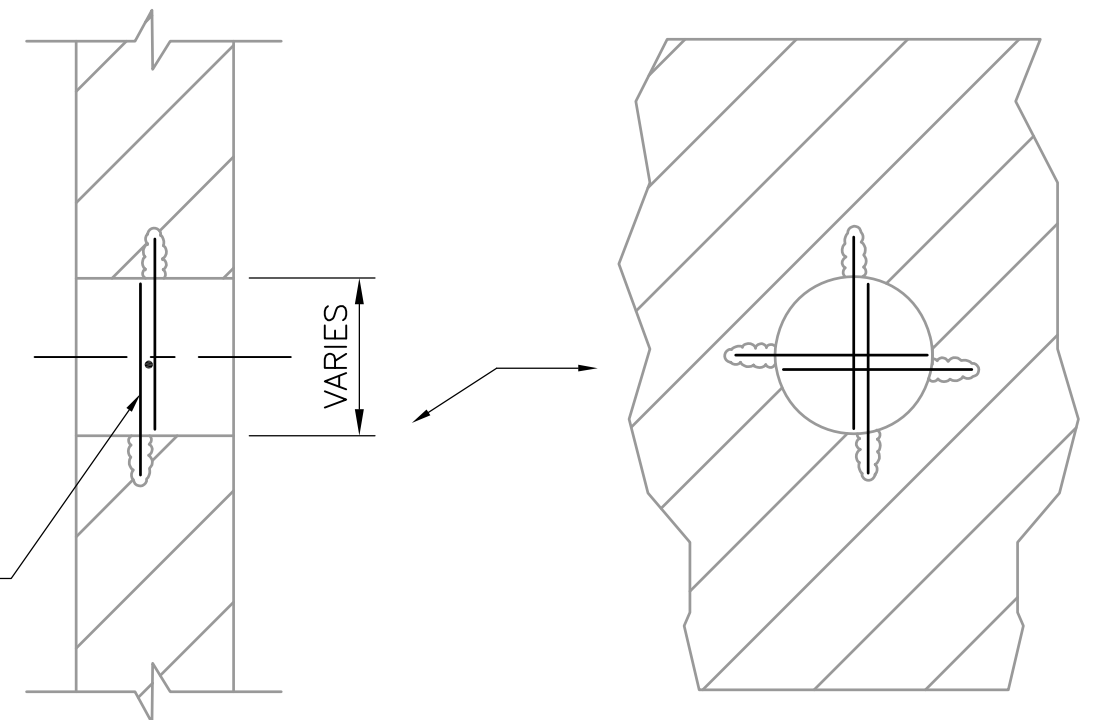


**EXT'G CONC SLAB PENETRATION FOR 4" OR LESS HOLE**

**DETAIL 7**

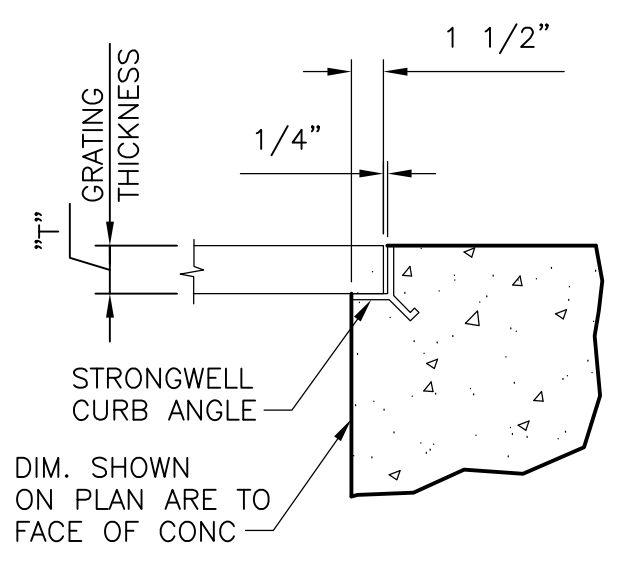
1/4" = 1'-0"

- NOTE:**
1. FOR LARGER DIA. HOLES GREATER THAN 12" DIA. PROVIDE EPOXY GROUT BARS AS SHOWN @ 12" OC



**WALL INFILL**

8  
-

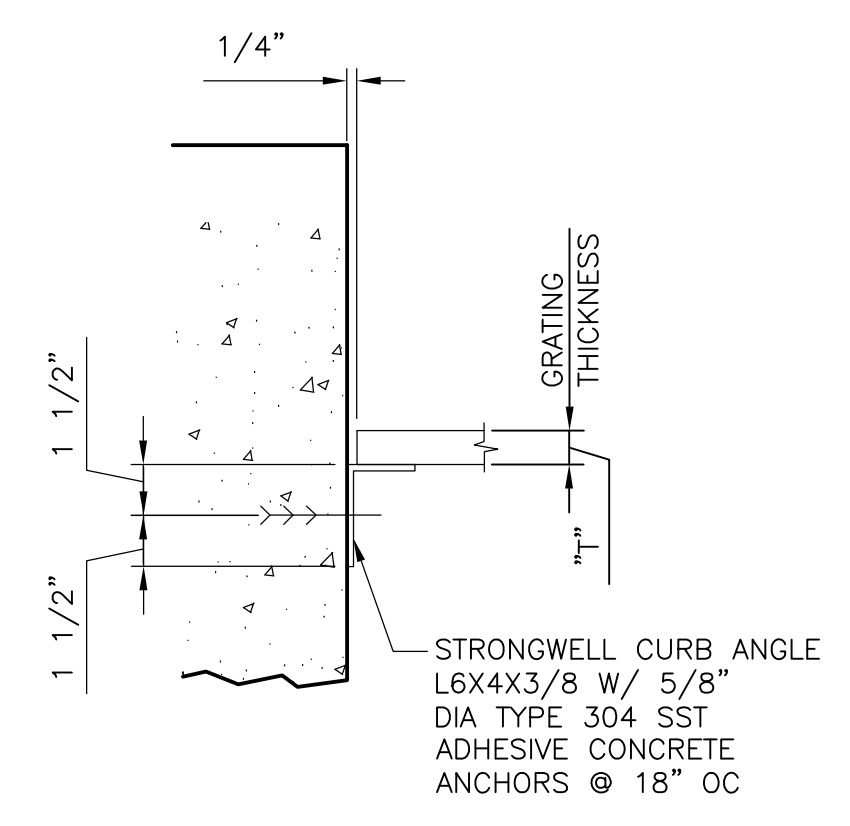


**CE-1**

**CONCRETE EDGE**

9  
-

- NOTES:**
1. MITER AND GRIND SMOOTH ANGLES AT ALL CORNERS.
  2. ALL ITEMS SHALL BE 304 SST EXCEPT GRATING WHICH SHALL BE AS INDICATED ON PLAN.



**CE-2**

REV. NO.	DATE	DRWN	CHKD	REMARKS

DESIGNED BY: \_\_\_\_\_  
 DRAWN BY: \_\_\_\_\_  
 SHEET CHK'D BY: \_\_\_\_\_  
 CROSS CHK'D BY: \_\_\_\_\_  
 APPROVED BY: \_\_\_\_\_  
 DATE: \_\_\_\_\_ APRIL 2015

**CDM Smith**  
 9200 Ward Parkway, Suite 500  
 Kansas City, MO 64114  
 Tel: (816) 444-9270  
 MO COA No. 001431

**DUBOIS CONSULTANTS**  
 CIVIL & STRUCTURAL ENGINEERING  
 5737 SWOPE PARKWAY  
 KANSAS CITY, MO. 64130  
 (816)333-7700 FAX (816)333-7722  
 www.dubois.com  
 MO COA No. 001483

CITY OF WICHITA, KANSAS  
 WATER AND SEWER DEPARTMENT  
**SEWAGE TREATMENT PLANT NO.2**  
**IMPROVMENTS UV DISINFECTION**

**EFFLUENT UV DISINFECTION FACILITY**  
**TYPICAL DETAILS**

PROJECT NO. 2395-104609  
 FILE NAME: \_\_\_\_\_  
 SHEET NO. **S-3**

