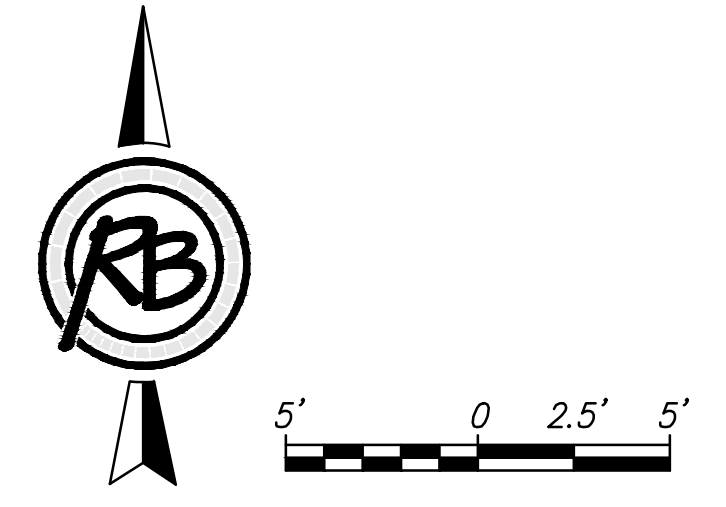
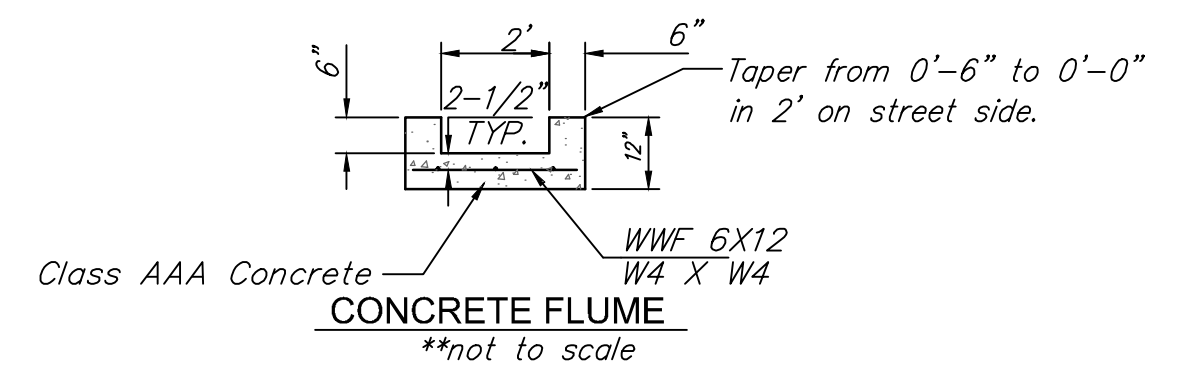
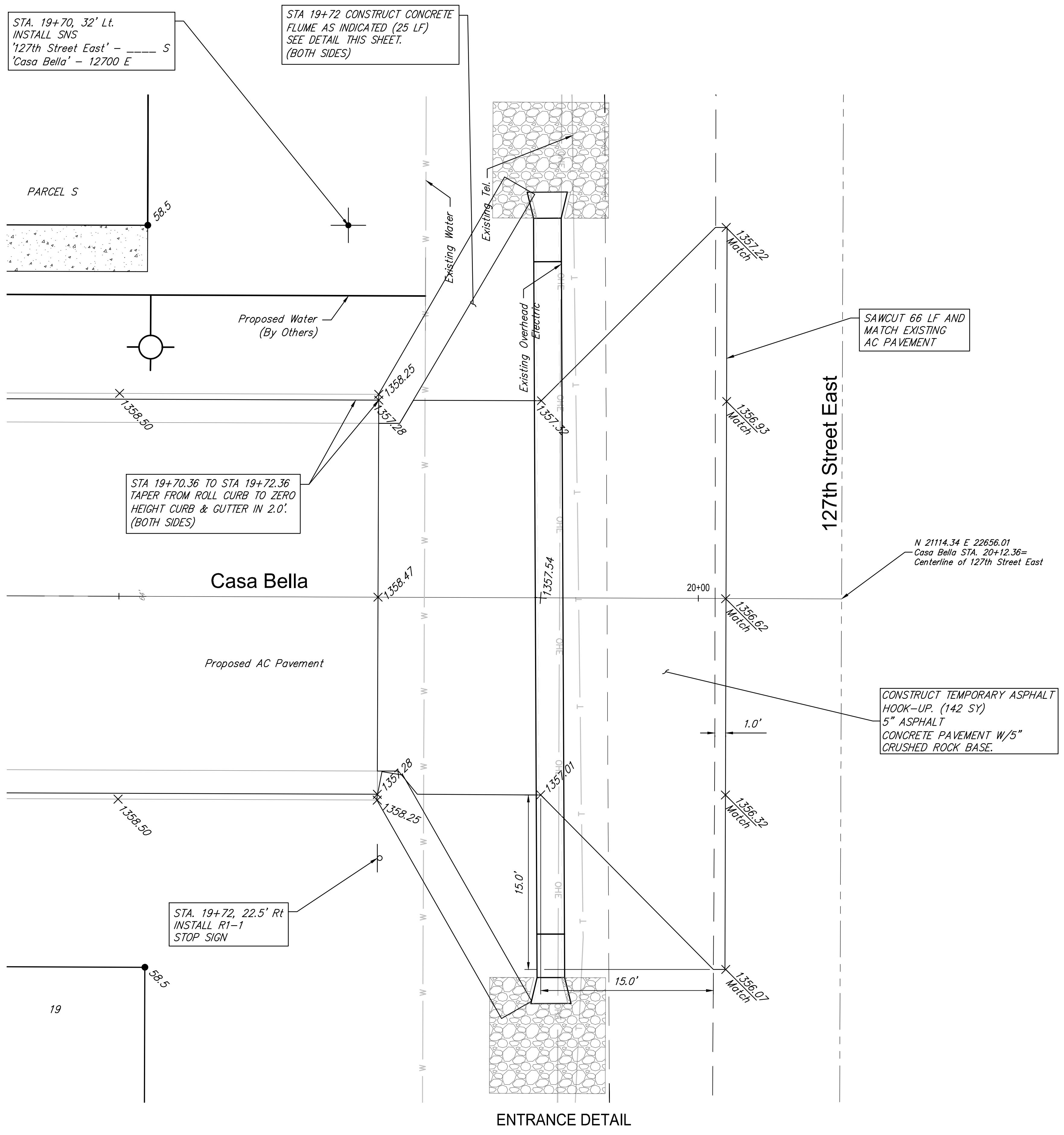


F:\Projects\Projects 4200-4299\4291E (Casa Bella 3rd Phase 2 Engineering)\4291E Engineering Base.dwg



Casa Bella 3rd - Phase 2 Entrance Details			
SEAL			DATE
	RUGGLES & BOHM		DESIGN
	ENGINEERING SURVEYING LANDSCAPE ARCHITECTURE GOVERNMENT		DRAWN
	924 NORTH MAIN WICHITA, KANSAS 67203 P (316) 264-8008 F (316) 264-4621 WWW.RUGGLESANDBOHM.COM		DRS
PROJECT NUMBER	RB JOB NO.	DWG. SCALE	REVIEW
472-84946	4291E	...	4/14/2015
DRAWING FILE	4291E Engineering Base [Entrance Details]		SHEET
			10
			OF 42