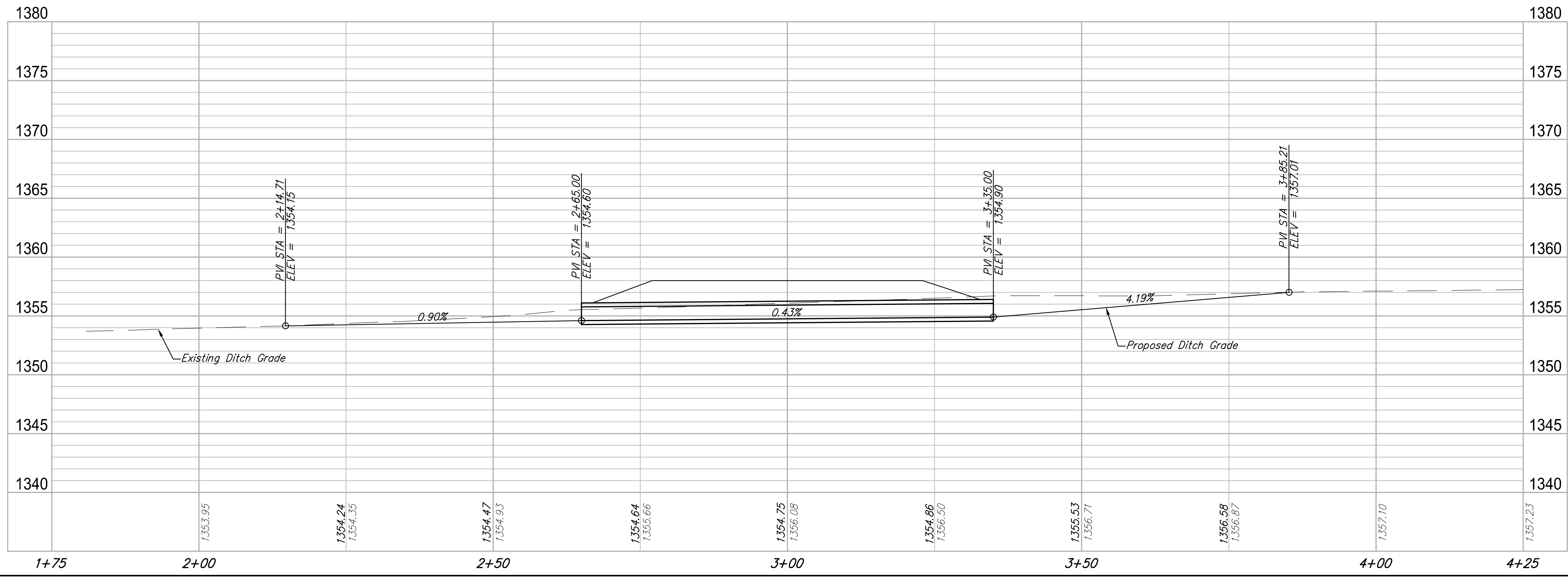
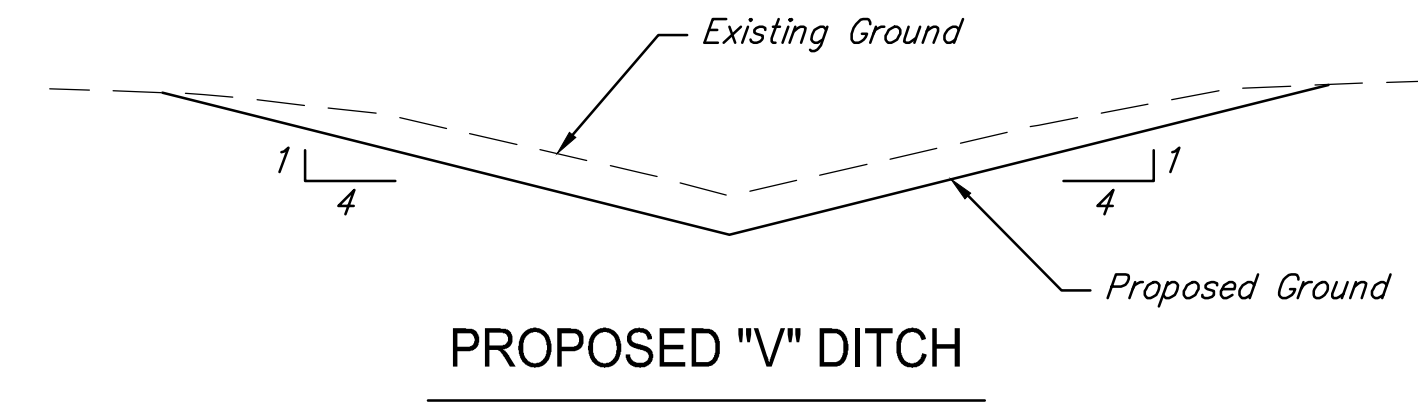
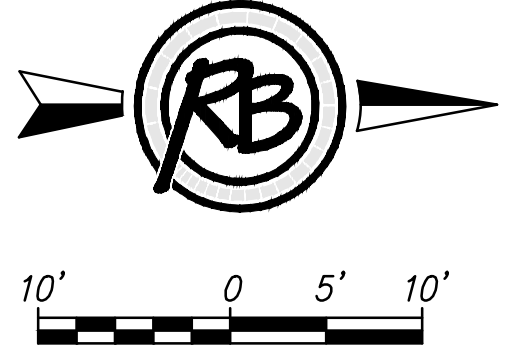
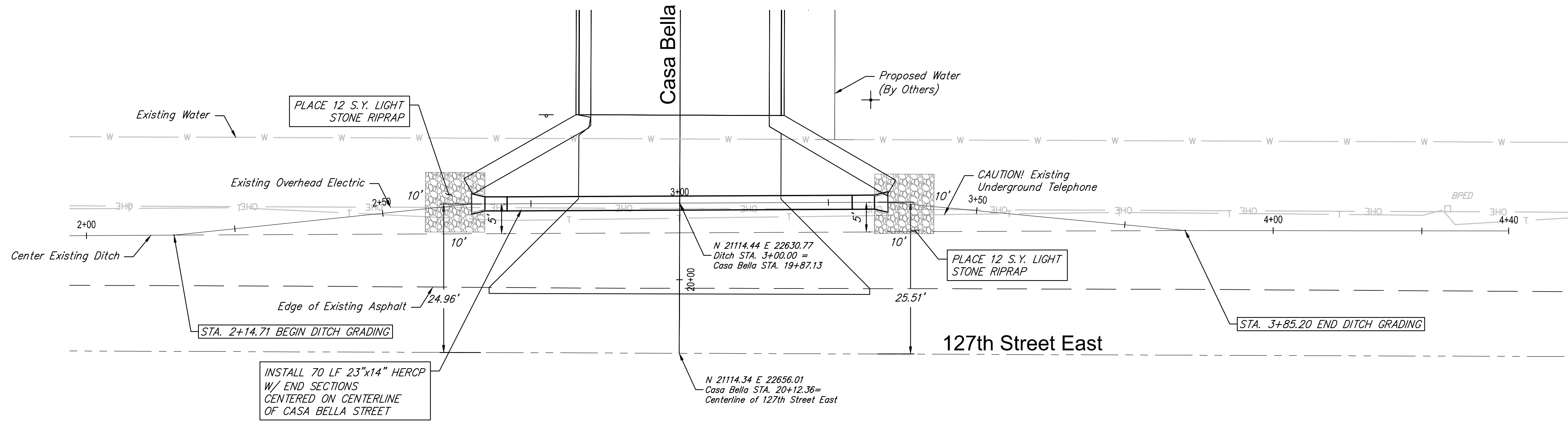


F:\Projects\Projects 4200-4299\4291E (Casa Bella 3rd Phase 2 Engineering)\4291E Engineering Base.dwg



RUGGLES BOHM	
ENGINEERS ARCHITECTS SURVEYORS 1000 W. 17th Street, Suite 1000, Wichita, Kansas 67202 Phone: 316.261.1111 Fax: 316.261.1112	
PROJECT NUMBER 472-84946	REVIEW 4/14/2015
DRAWING FILE 4291E Engineering Base	DATE
DESIGN EJG	DRAWN DPS
Casa Bella 3rd - Phase 2 Ditch Grading Wichita, Kansas	
RB JOB 4291E	SHEET
11	42