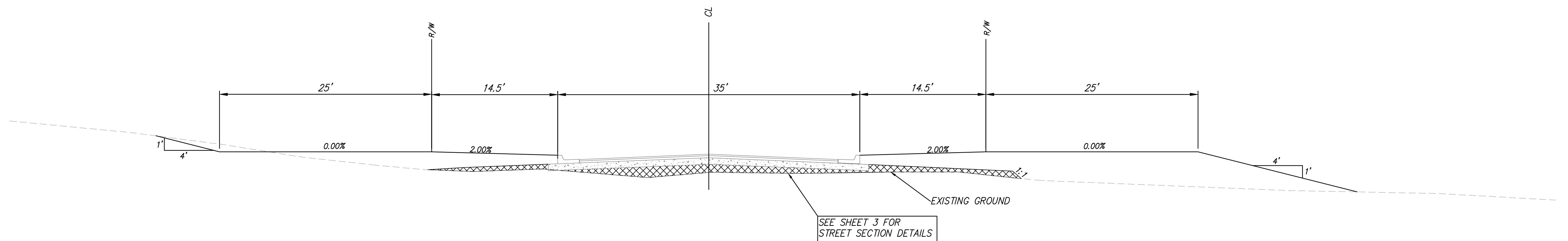
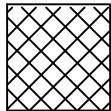


TYPICAL 29' ROW GRADING SECTION




TYPICAL 35' ROW GRADING SECTION

 Fill Compacted to 90% Standard Density

F:\Projects\Projects 4200-4299\4291E (Casa Bella 3rd Phase 2 Engineering)\4291E Paving Details.dwg

(c) Copyright 2015, Ruggles & Bohm, P.A.

<b>Casa Bella 3rd - Phase 2</b> <b>Street Grading Section</b>			
SEAL	 <b>RUGGLES &amp; BOHM</b>	DATE DESIGN DRAWN DRS REVIEW 4/14/2015	
		SHEET <b>4</b>	
PROJECT NUMBER 472-84946		DWG. SCALE ...	
DRAWING FILE 4291E Paving Details (Street Grading Section)		OF 42	