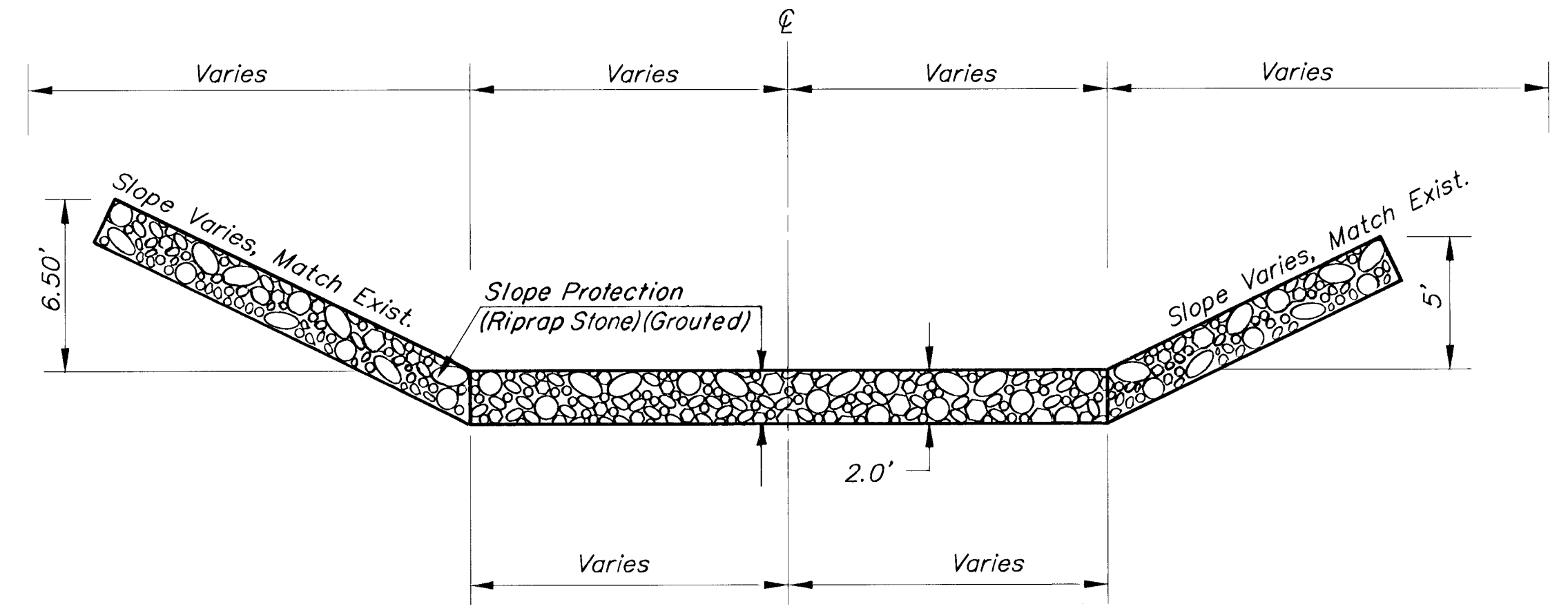


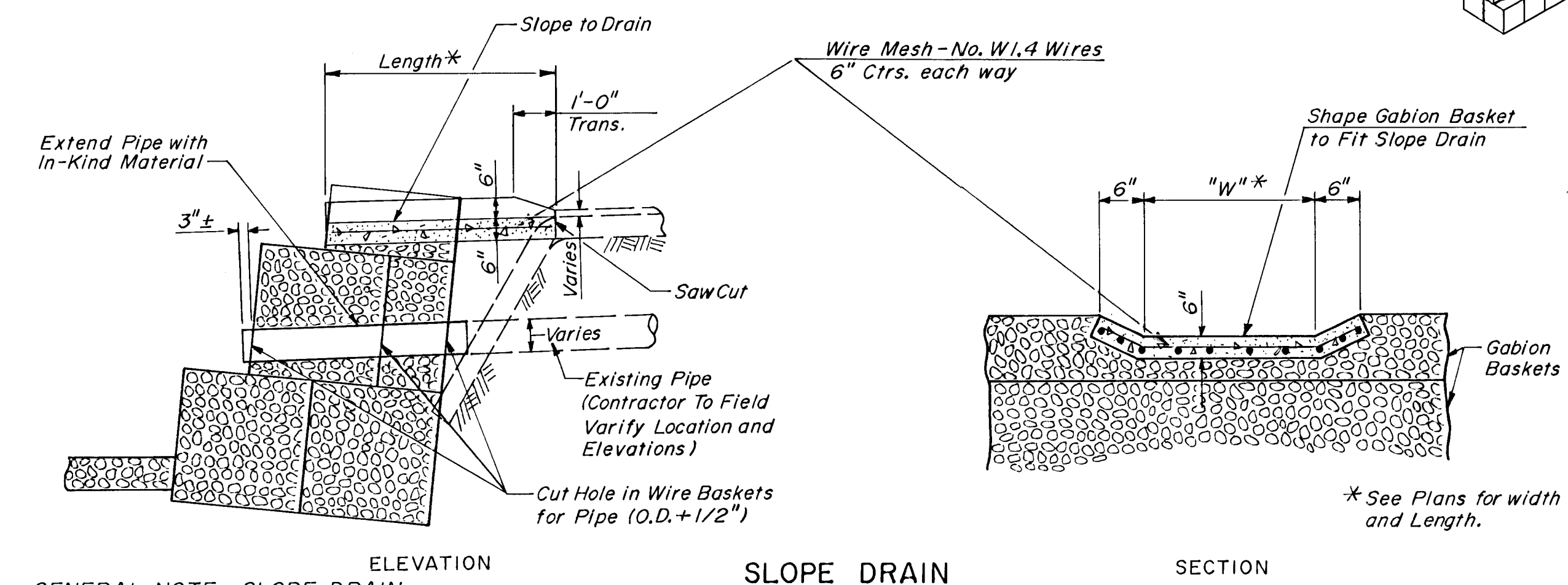
TYPICAL SECTION

NOTE: Dimensions vary throughout Channel Improvements, both Horizontally and Vertically. See Plan & Profile and Cross-Section Sheets for additional information.



TYPICAL SECTION

Sta. 9+50 to Sta. 10+00
(West Branch of Dry Creek)

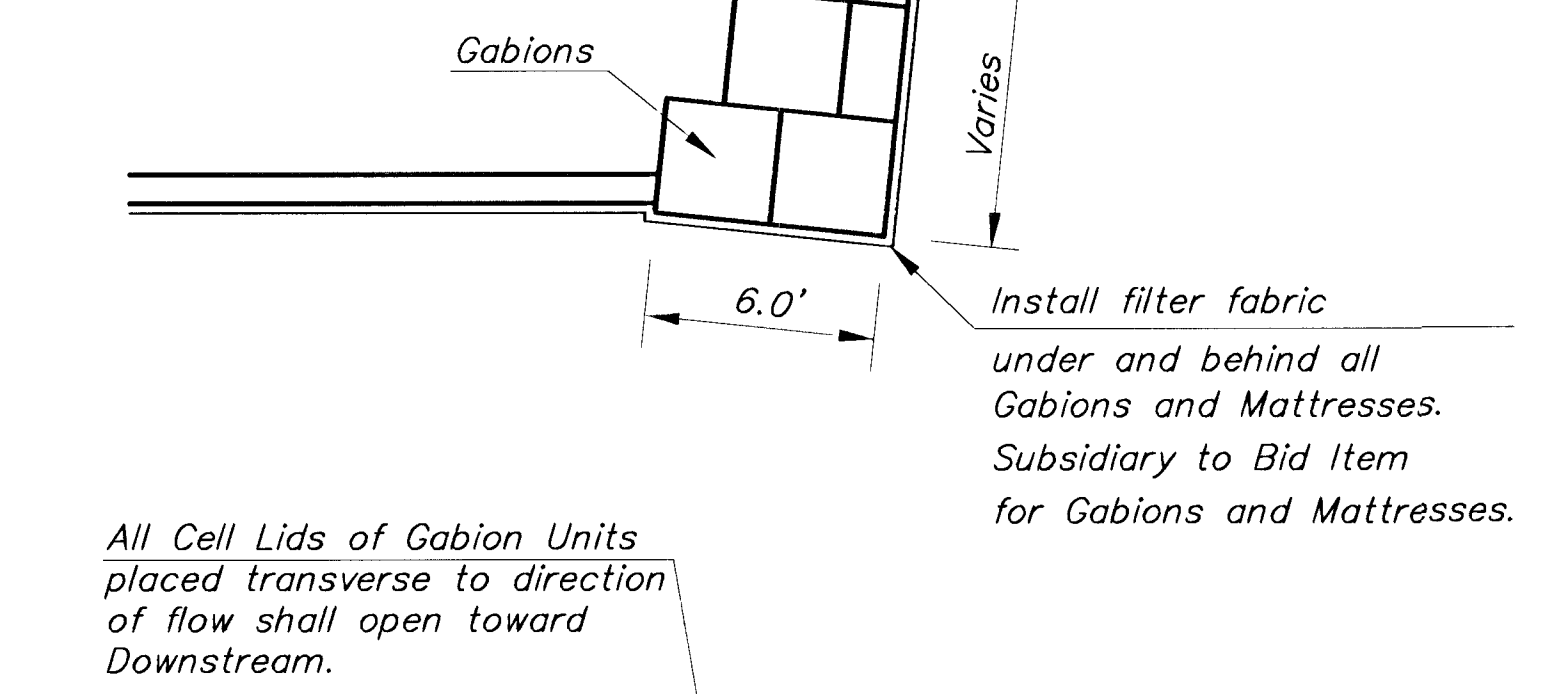
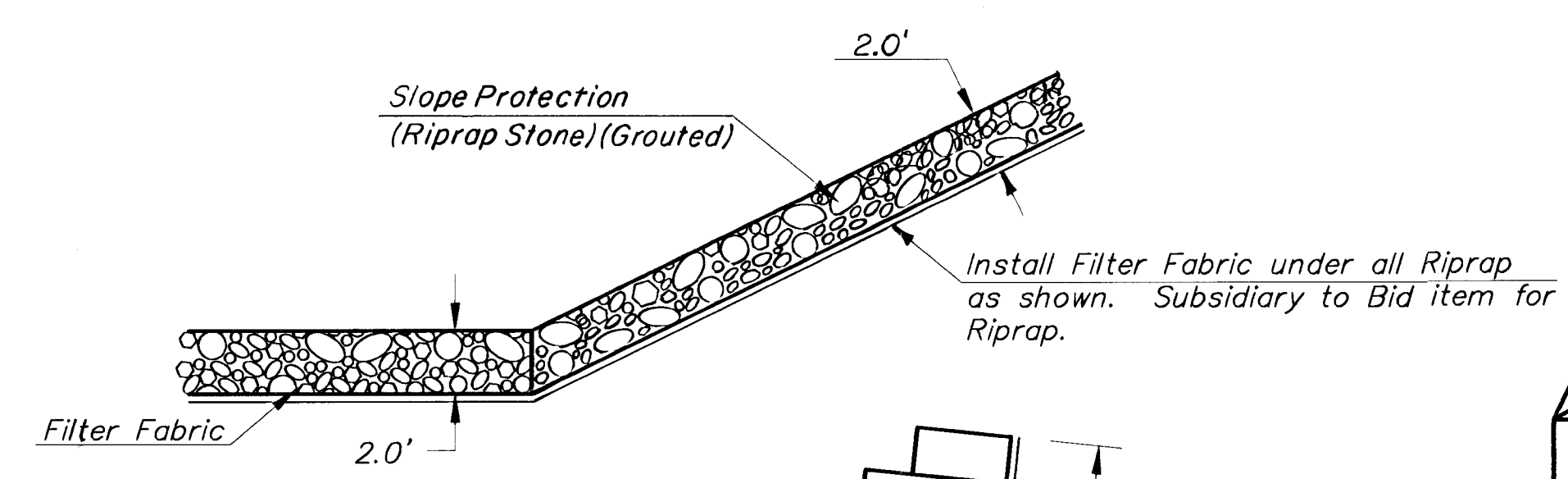


GENERAL NOTE - SLOPE DRAIN

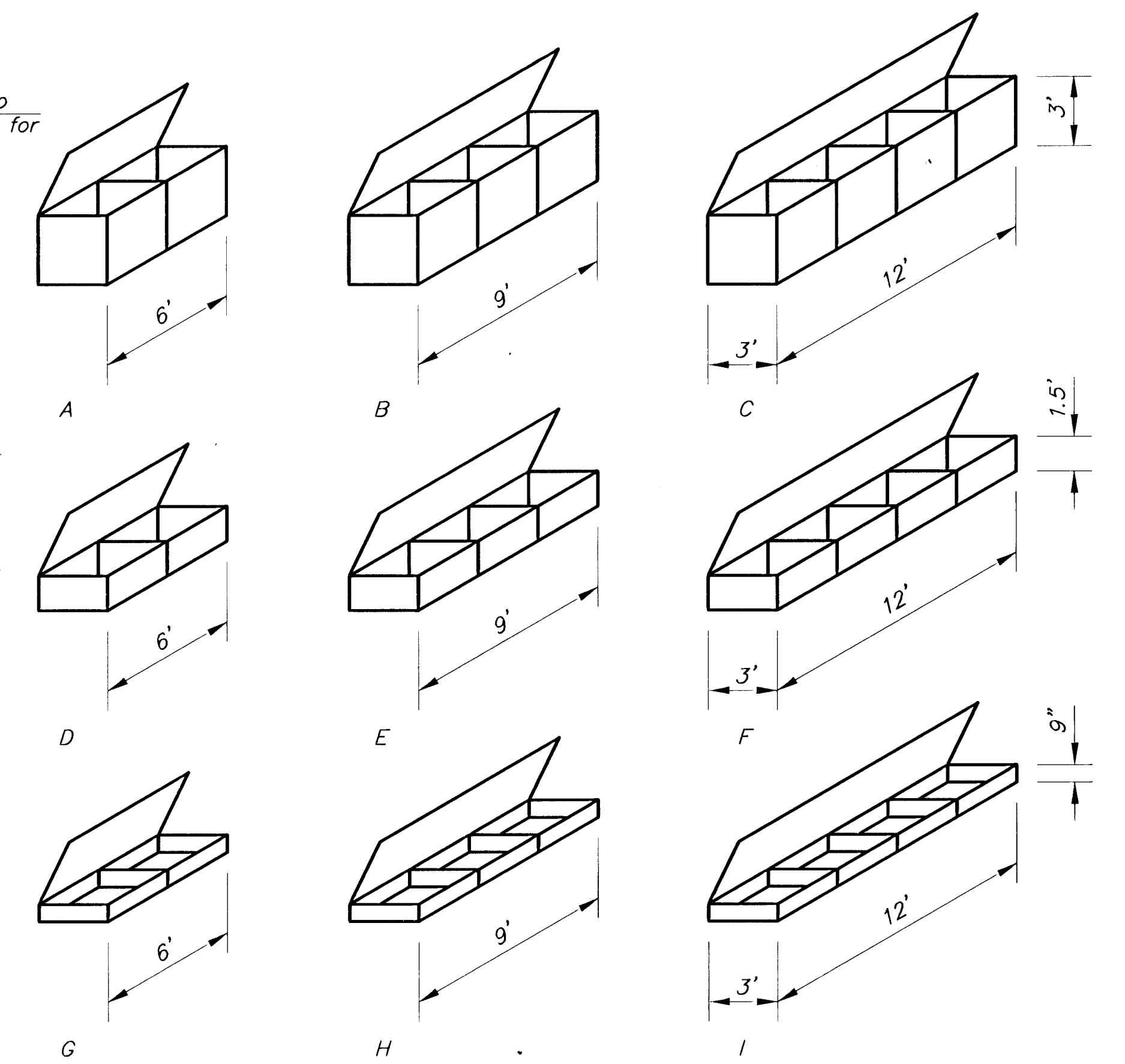
- Slope Drains shall be paid for by unit price per lineal foot.
- Reinforcing steel and wire mesh are subsidiary to Slope Drain.

- Class "A" Concrete (AE) shall be used in Slope Drain. On concrete pavement projects, the contractor may substitute the mix used in concrete pavement.

4. All exposed edges shall be finished with an edging tool.



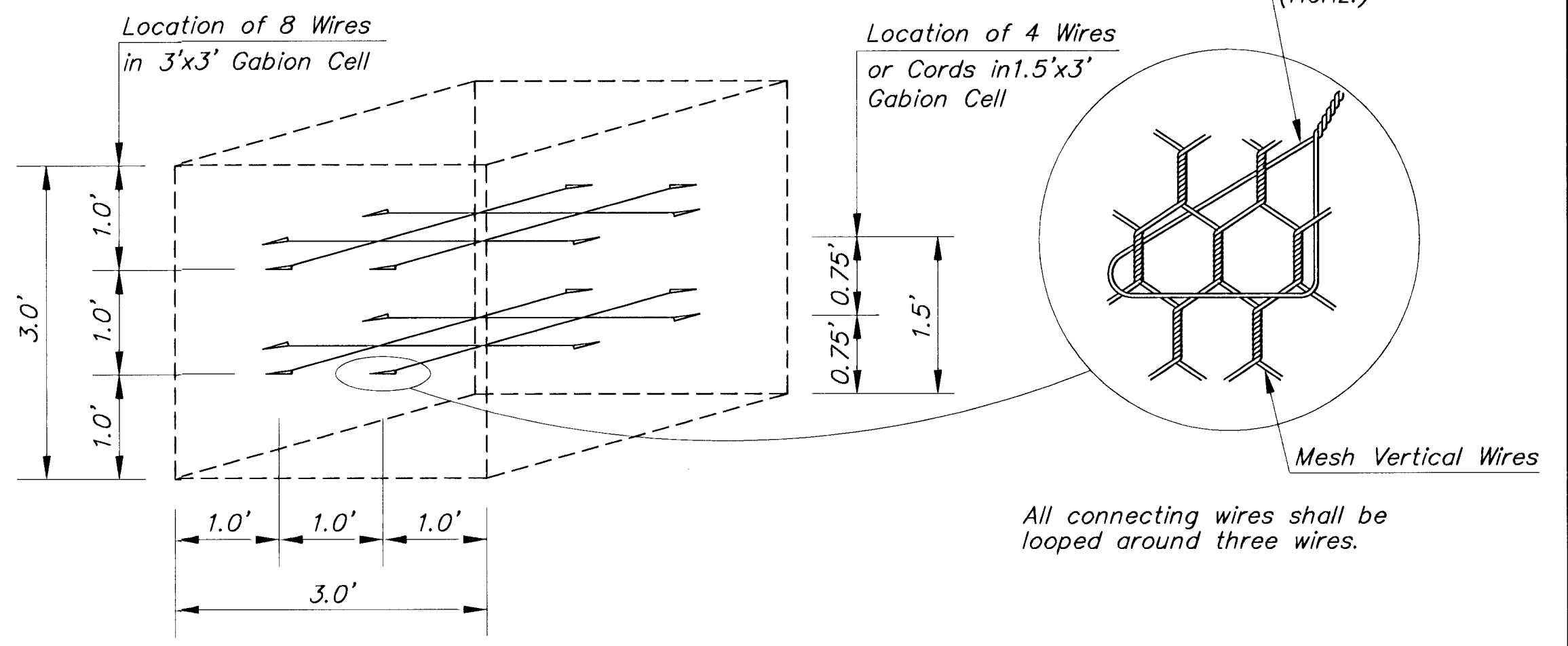
TOEWALL DETAIL



TYPICAL GABION UNITS

NOTE: All Units shall be P.V.C. Coated Galvanized Wires.

- Gabions shall be placed in rectangular form by connecting total length of all edges.
- 3' deep gabions shall be filled to depth of one foot. Then four connecting wires shall be placed in each direction and looped around three meshes of gabion wall. This operation shall be repeated until the gabion is filled. 1.5' deep gabions similar. See detail at right.
- Gabions shall be connected together along all contacting edges.
- Completely fill gabions and connect top to all edges.
- Consult with Gabions supplier for additional assembly requirements.
- "Retied" units are standard units which are shortened or reshaped in the field.
- Gabion baskets shall be staked, stretched or supported in accordance with suppliers requirements to ensure that units are placed to proper line & grade in rectangular configuration without unsightly bulging of the basket.
- All Gabions and Mattresses shall be filled with carefully sorted stones and positioned very carefully, to provide as smooth a surface as possible and to minimize voids. Rock shall be placed by hand along all visible faces.
- Filter Fabric shall be Trevira #1125, Mirafir #180N or approved equal.
- All Labor and material required to extend existing drain pipes through Gabions shall be subsidiary to Bid Item for Gabions.



DETAIL OF CONNECTING WIRES IN EACH GABION CELL

| Size of Stone | % Larger Than |
|---------------|---------------|
| 8" | 0 |
| 4" | 95-100 |

For Information Only
Filter Fabric 11,380 Sq. Yds.

Rock for this construction shall have a soundness ratio of not less than 0.80 after 25 cycles of freeze and thaw tests.

| 3 | | | | | |
|--|------|------------|-----------|------------|------------|
| 2 | | | | | |
| 1 | | | | | |
| NO. | DATE | REVISIONS | BY | APP'D | |
| CITY OF WICHITA | | | | | |
| TYPICAL SECTIONS RIP-RAP & GABION DETAILS | | | | | |
| SHEET NO. | OF | SCALE | APP'D | DESIGNED | MDK |
| | | | | JNJ | DETAIL CK. |
| DESIGN CK. | JNJ | DETAIL CK. | MDK | QUANTITIES | TRACED |
| | | | QUAN. CK. | | TRACE CK. |