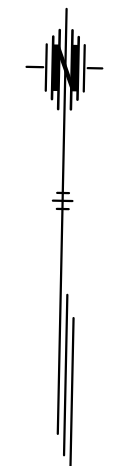
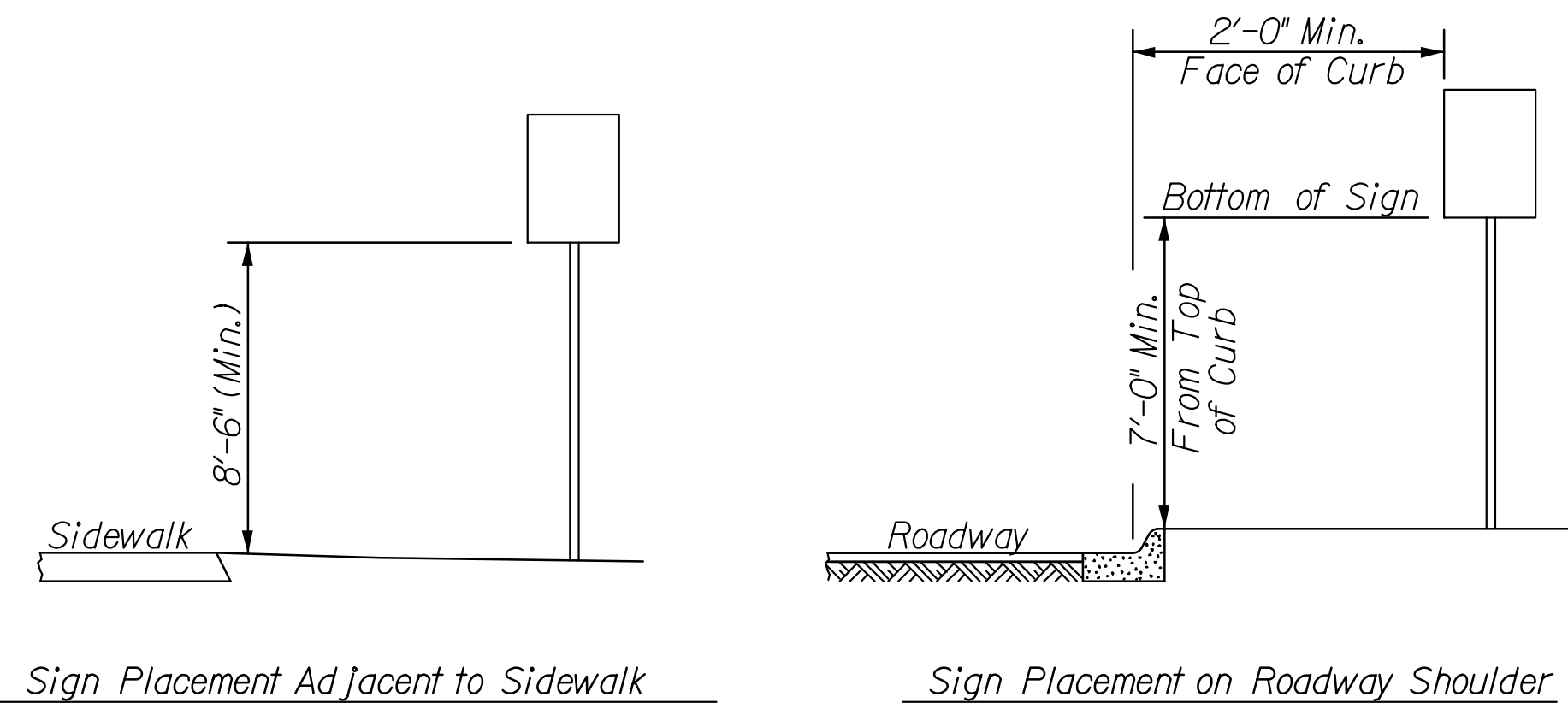


STATE	PROJECT NO.	YEAR	SHEET NO.	TOTAL SHEETS
KANSAS	87 TE-0396-01	2014	31	68



DATE	BY	REFERENCES NOTED	REFERENCES CHECKED



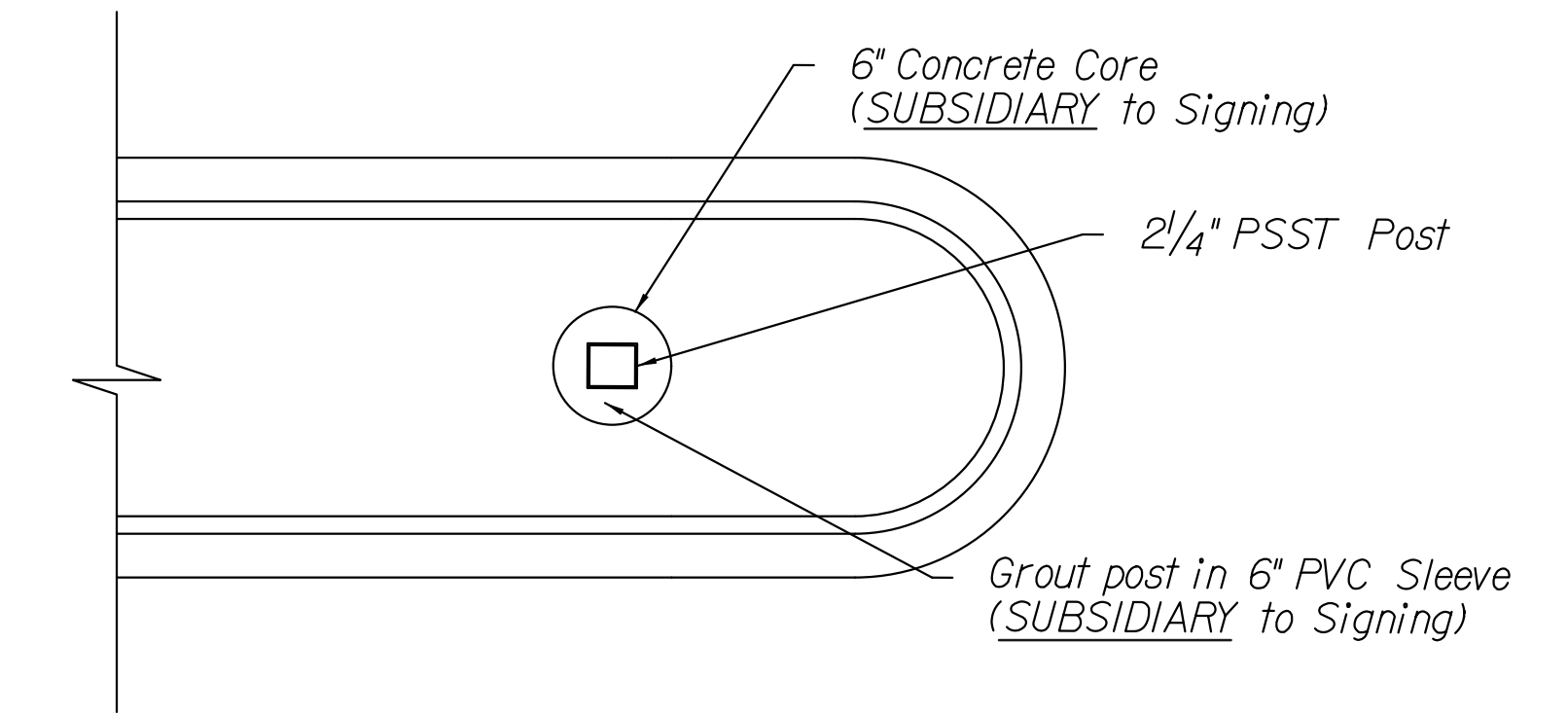
URBAN DISTRICT

URBAN:

1. Ground-mounted signs shall be mounted at a minimum height of 7' measured from the bottom of sign to the top edge of the curb.
2. Permanent sign supports should not be located on sidewalks or areas designated for pedestrian or bicycle traffic.
3. The height from bottom of the secondary sign mounted below another sign may be 6' measured from the bottom of sign to the near edge of the pavement. Signs shall not overlap each other. Signs mounted lower than 7' should not project more than 4" into pedestrian facilities.

ADJUSTMENTS:

Signs may be moved laterally or longitudinally if it will improve the visibility of the sign or other signs and if it will protect the sign more.



PSST POST BLOCK OUT DETAIL
Not to Scale

Core Holes shall be used for all PSST Post located in Concrete or Brick. This work is SUBSIDIARY to the Bid Item "Signing".



CITY OF WICHITA, KANSAS
W. 2ND STREET
PROPOSED SIGNING SHEET
STA. 242+00.00 TO STA. 266+00.00