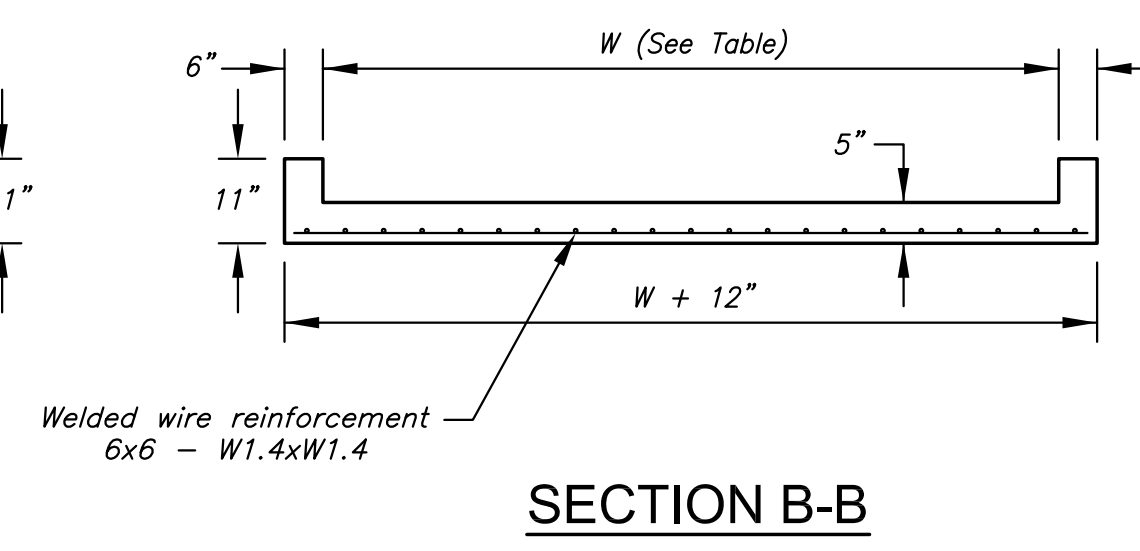
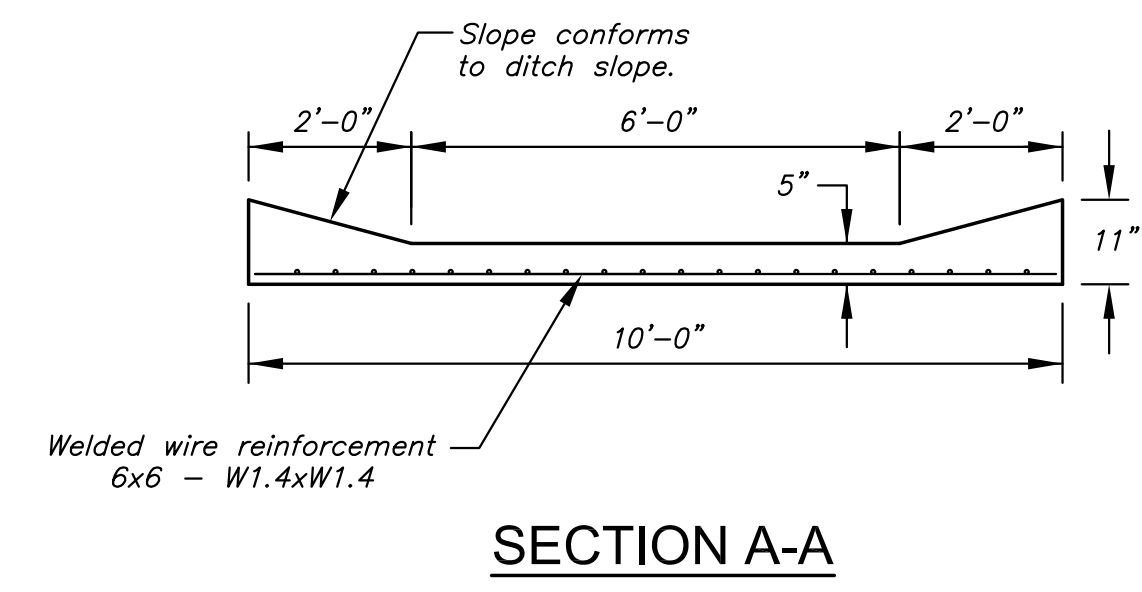
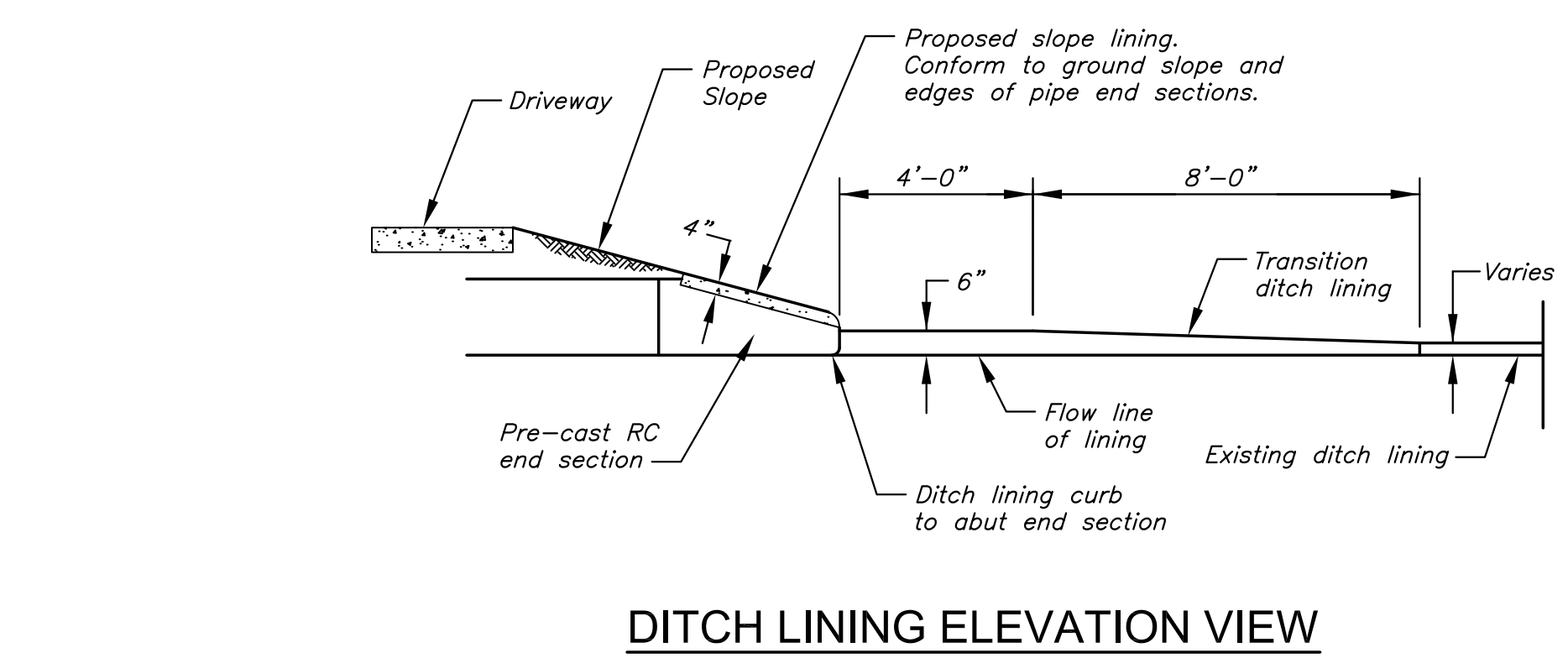
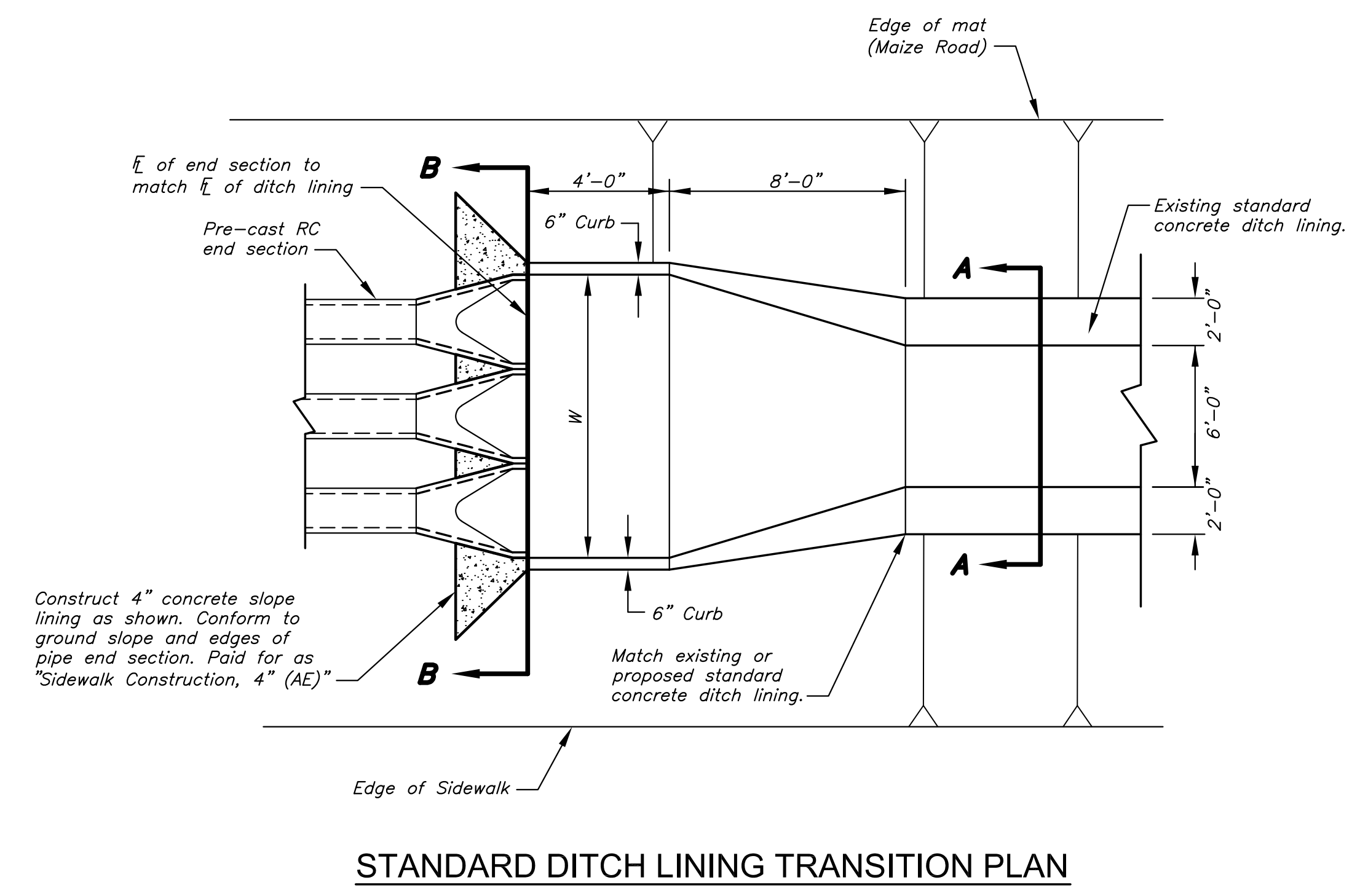
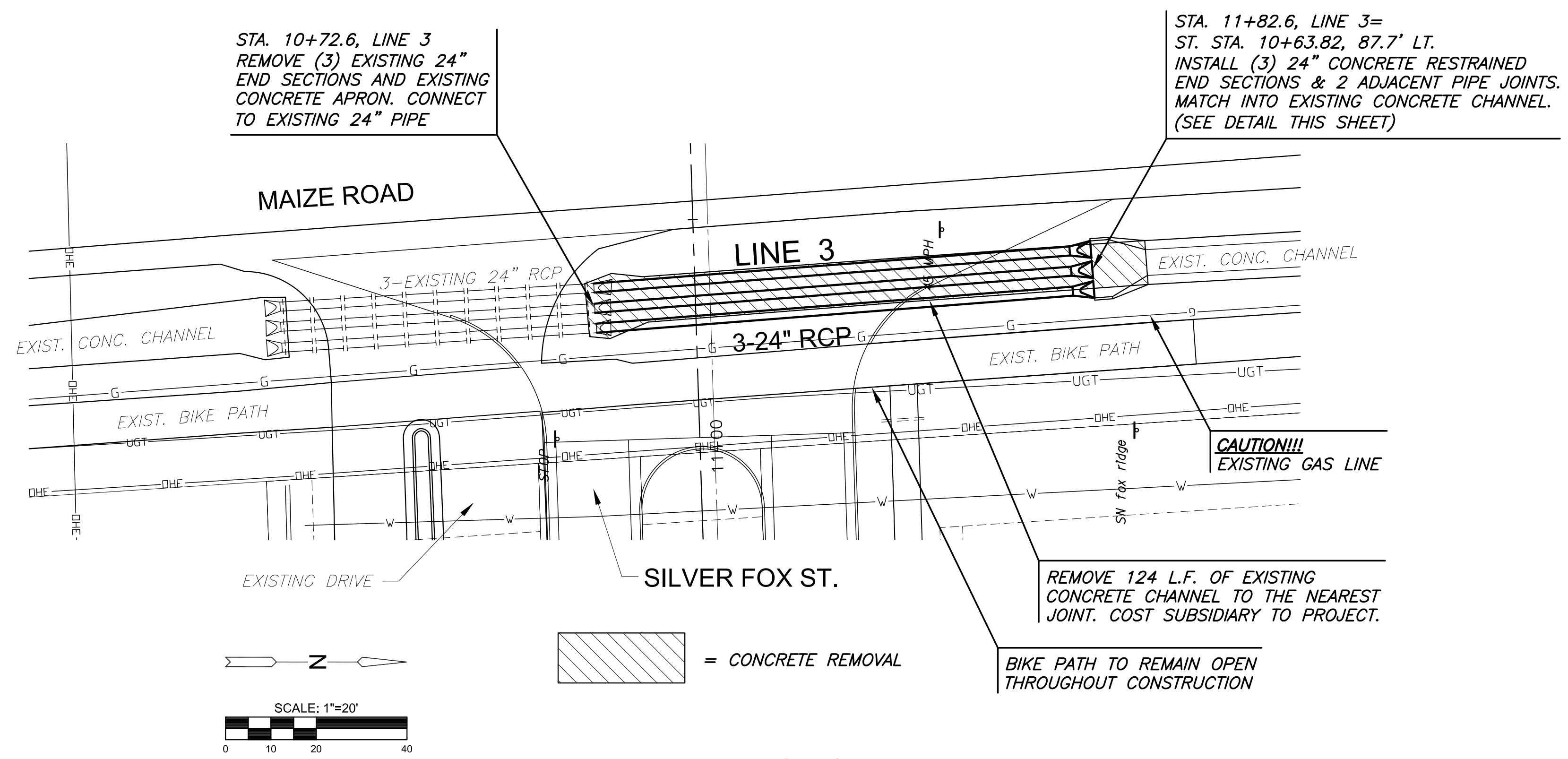


©2015 MKEC Engineering
All Rights Reserved
www.mkec.com
These drawings and their contents, including, but not limited to, all concepts, designs, & ideas are the exclusive property of MKEC Engineering (MKEC), and may not be used or reproduced in any way without the express consent of MKEC.

SWS LINE 3

PROJECT NO.	468-84952	
DATE	JUNE 2015	
SCALE	1" = 20'	
DESIGNED	DRAWN	CHECKED
DFL	JWC	SLF

NO.	REVISION	DATE
-----	----------	------



PLOTTED: Wednesday, June 17, 2015 @ 09:52AM
 J:\PROJECTS\2011\101010577 - PREMIER FOX RIDGE PLAZA\CIVIL\CAD\SW\11577_DP_06.DWG