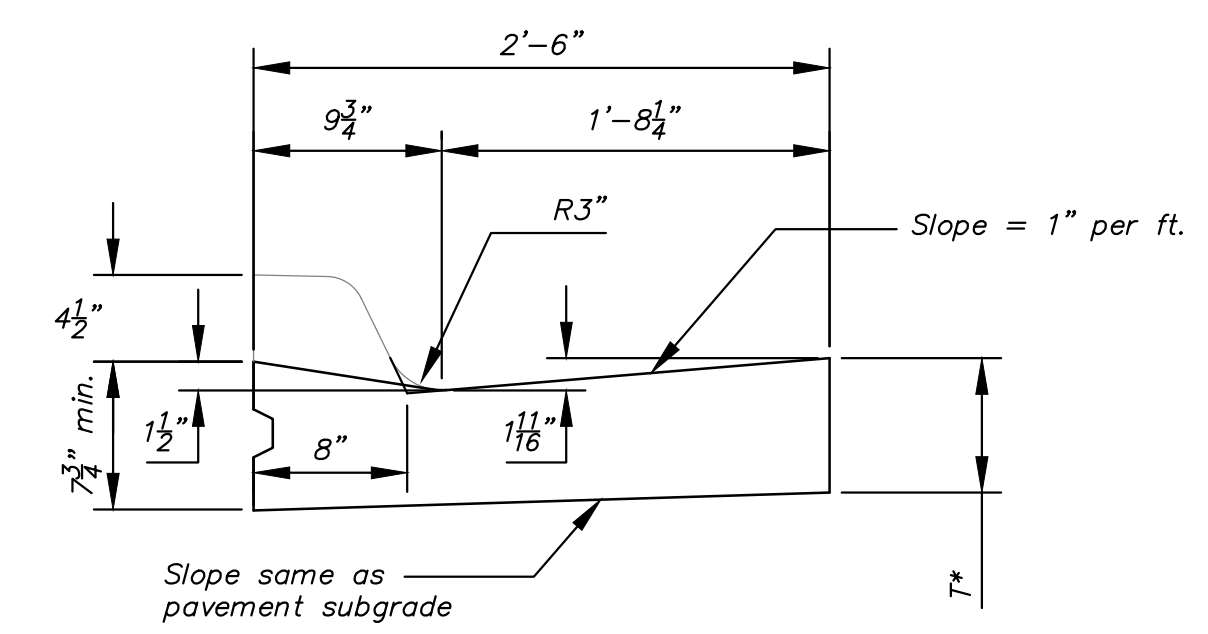
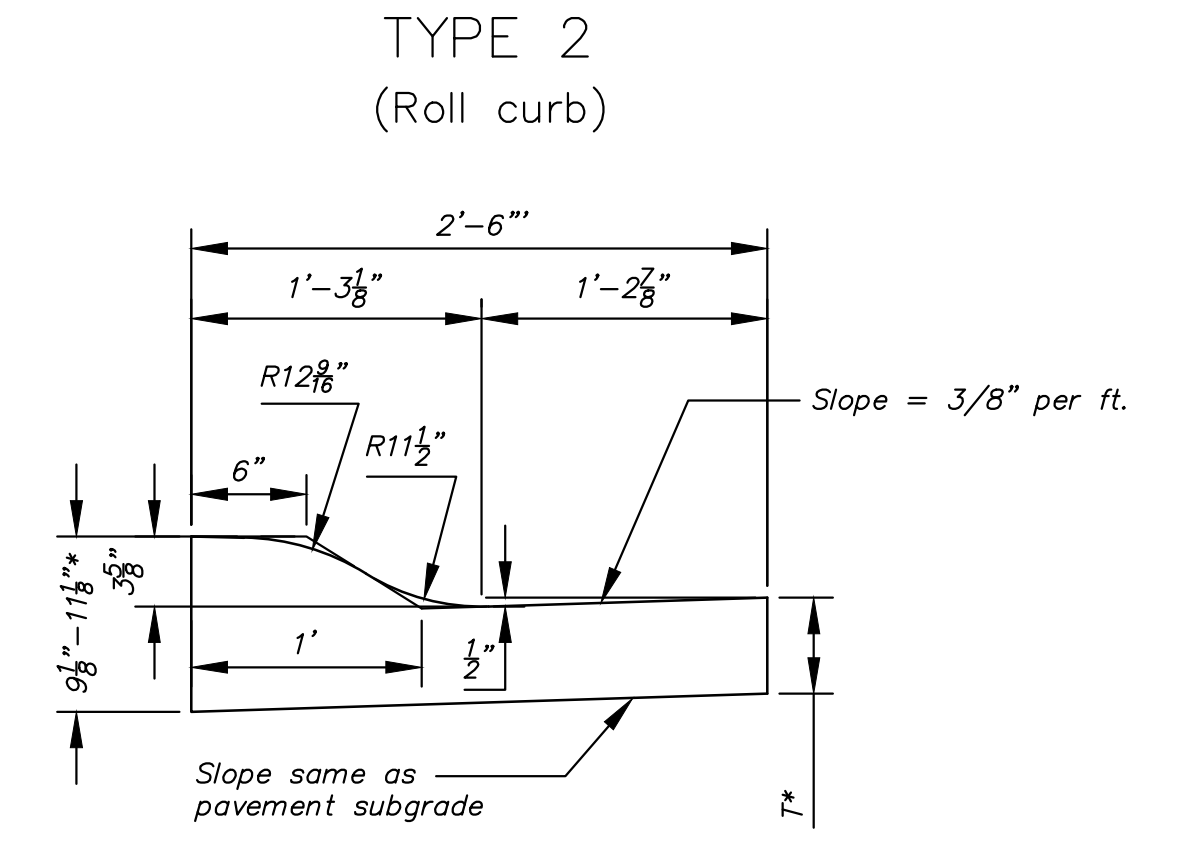


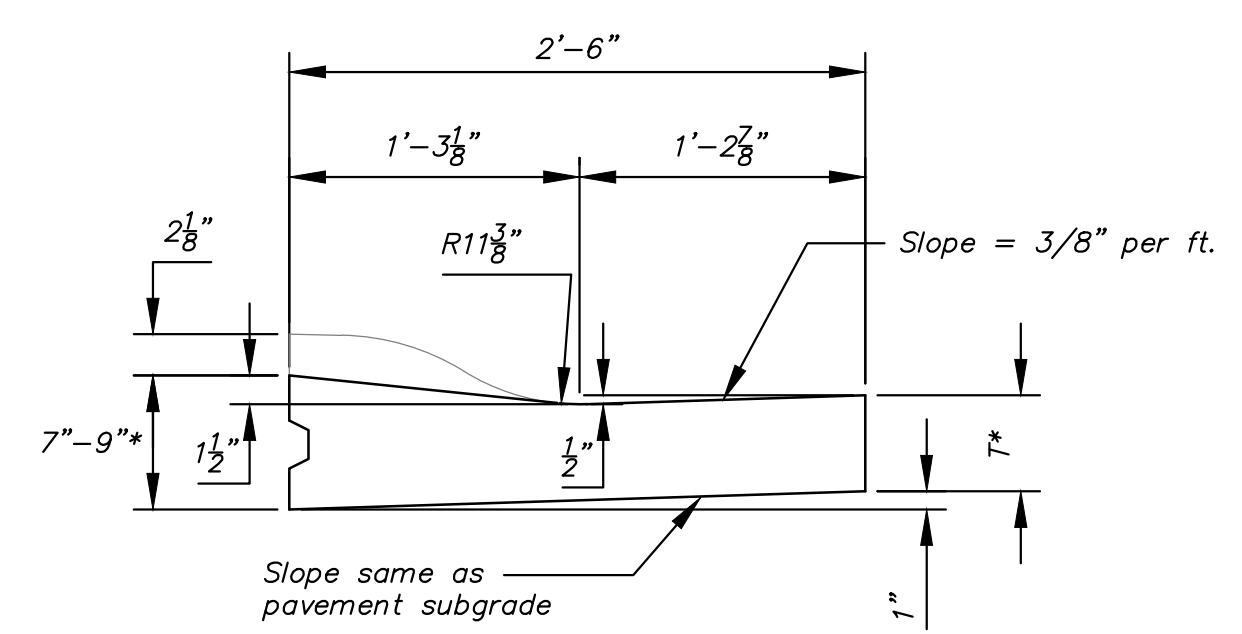
Combined Curb & Gutter (6")



Combined Curb & Gutter (1 1/2")



Combined Curb & Gutter (3 5/8")

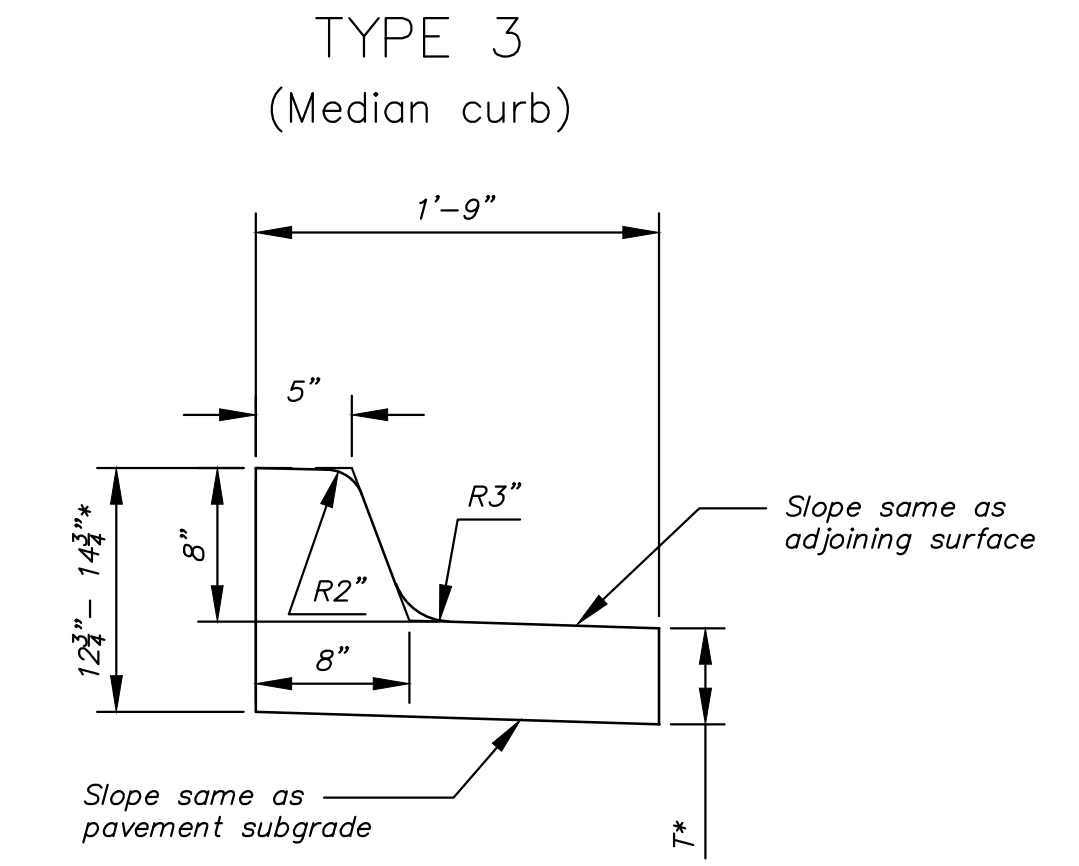


Combined Curb & Gutter (1 1/2")

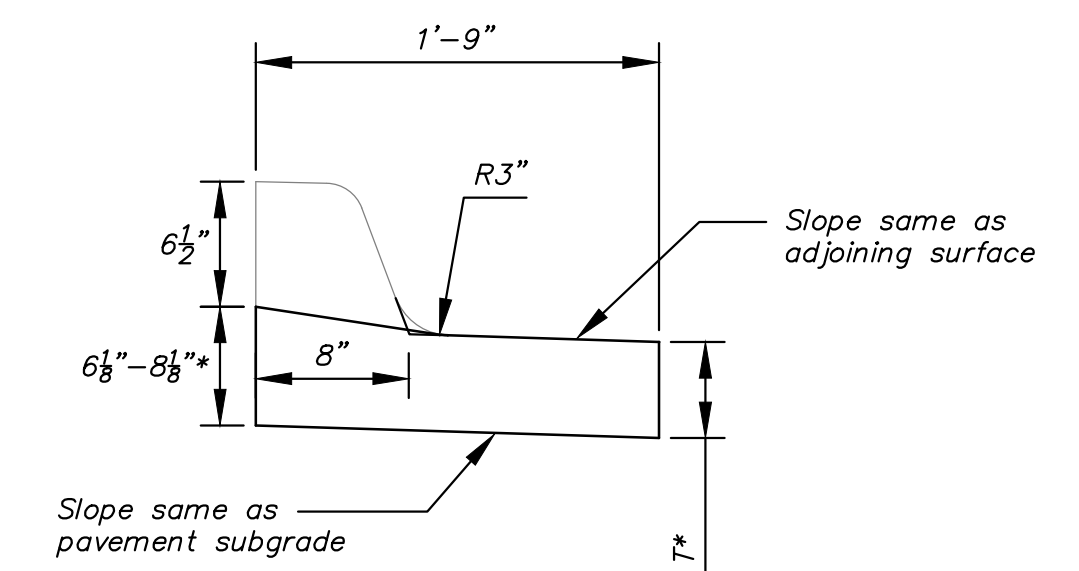
T\* = Thickness of curb to adjust with pavement thickness

**GENERAL NOTES**

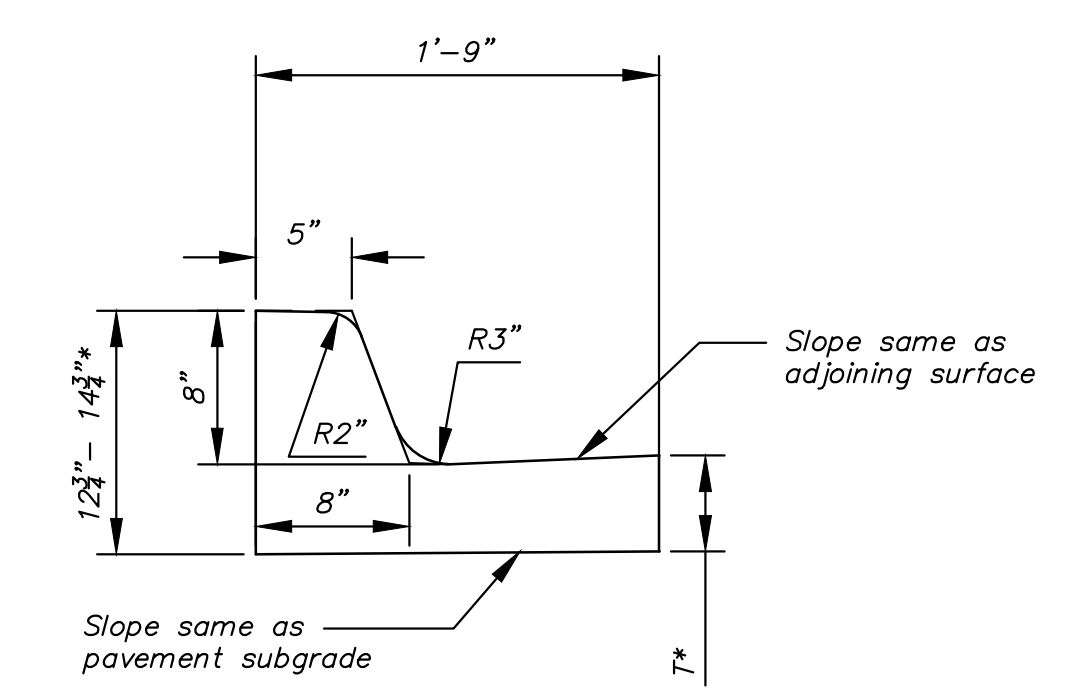
1. Expansion (isolation) joints shall be constructed a maximum of 300' apart and at all PIs, PCs, cul-de-sac quadrants, and ends of returns.
2. Contraction joints shall be constructed a minimum of 12' apart.
3. Joint sealer shall be required at all joints on arterial and industrial streets and at intersections on residential streets.



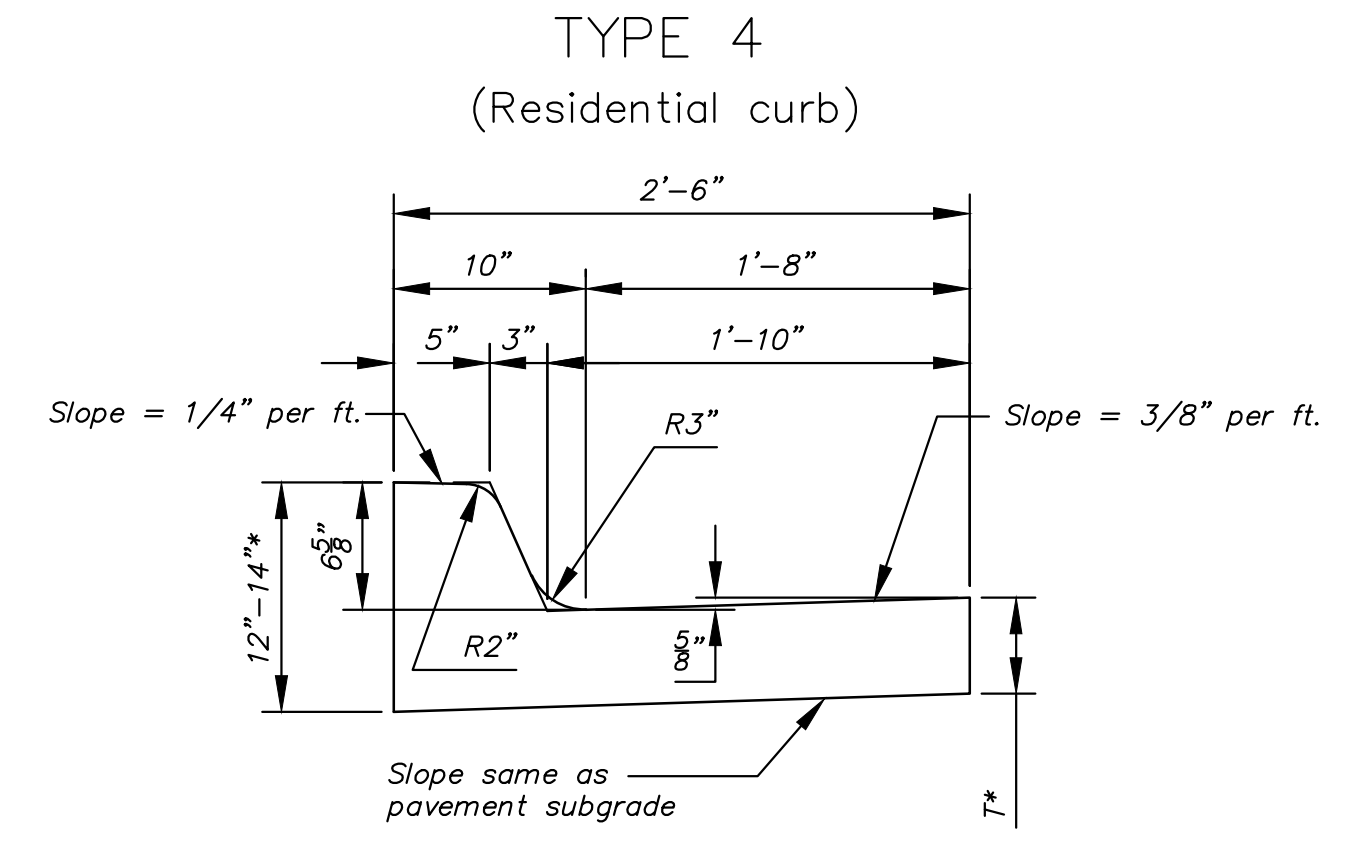
Combined Curb & Gutter (8")



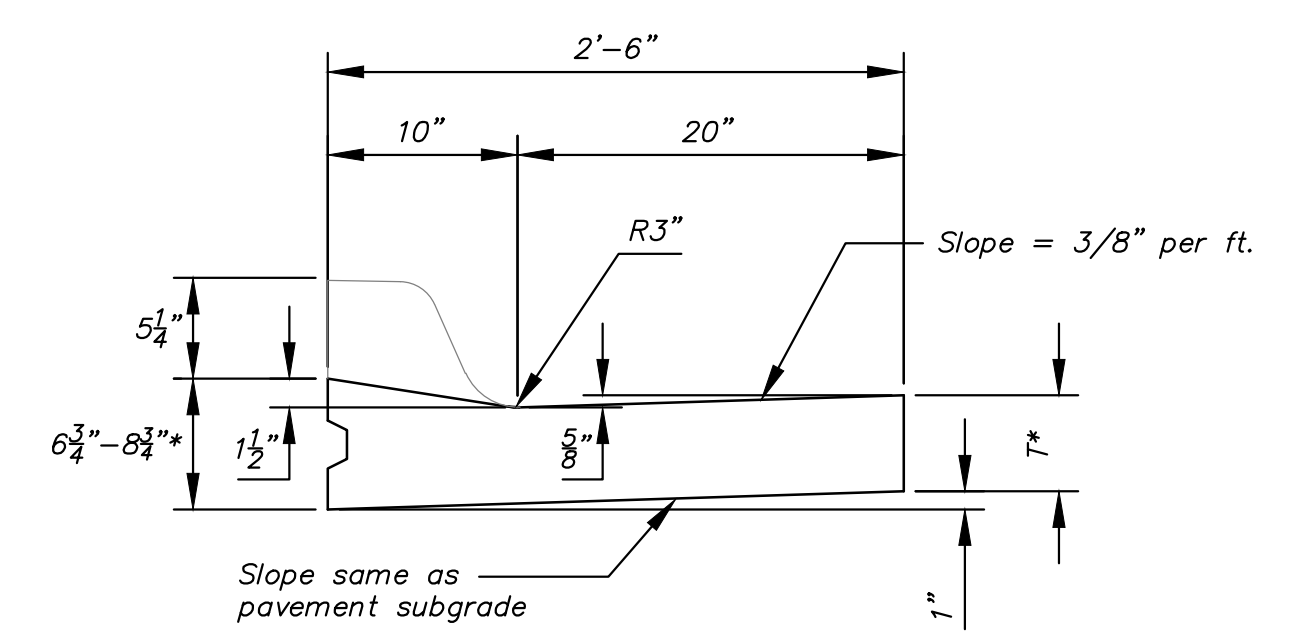
Combined Curb & Gutter (1 1/2")



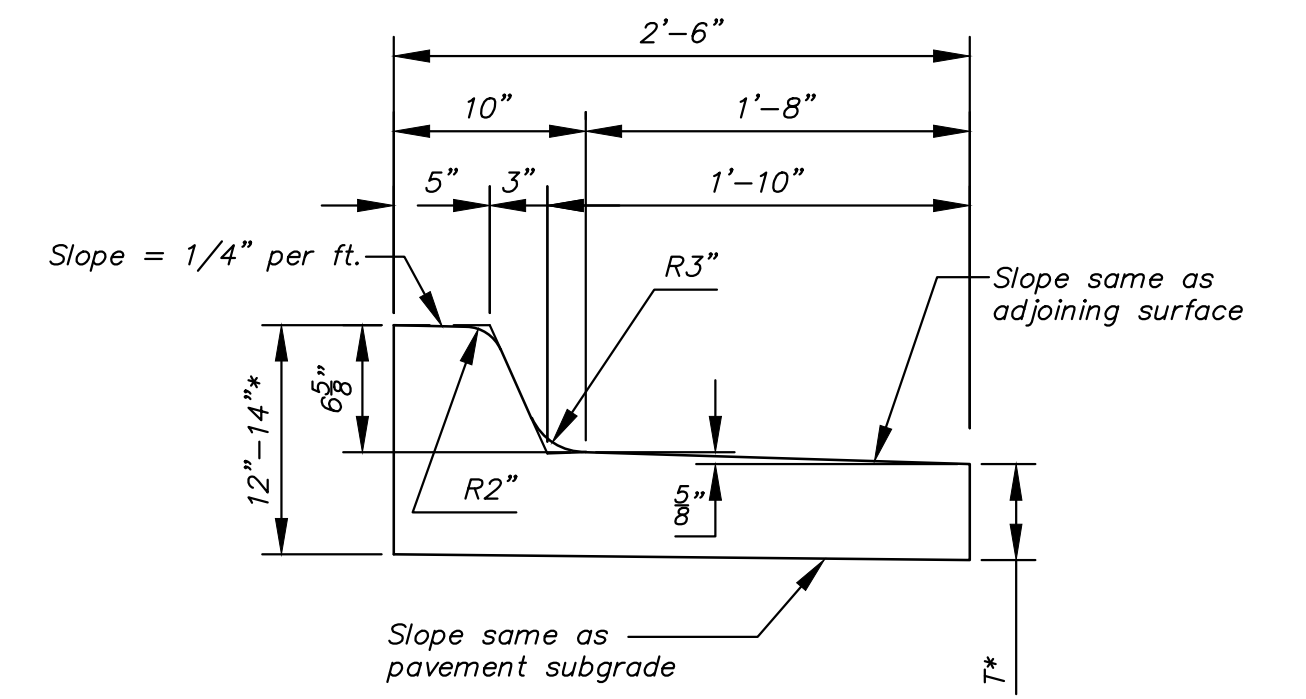
Combined Curb & Gutter (8")  
High Edge



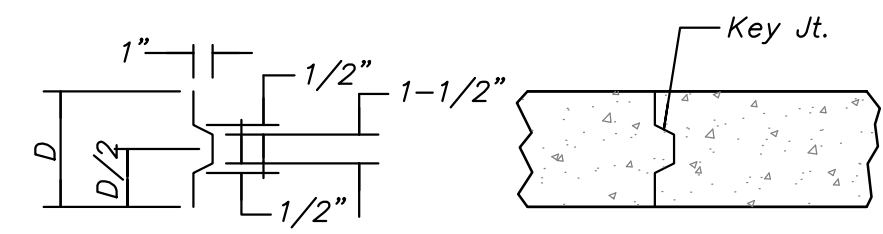
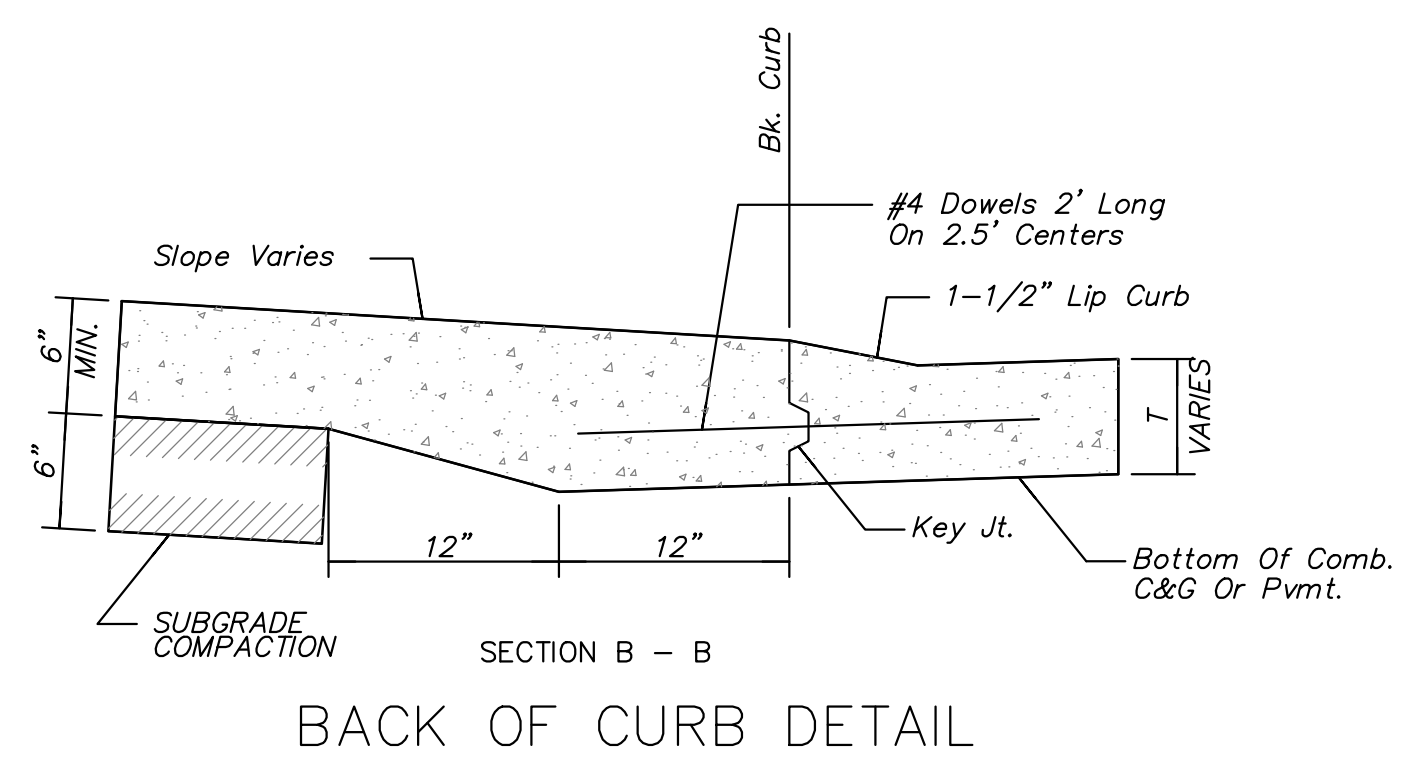
Combined Curb & Gutter (6 5/8")



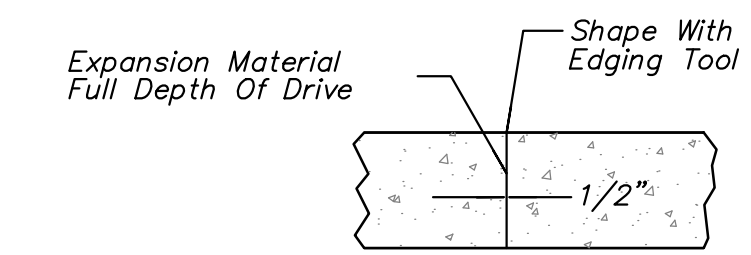
Combined Curb & Gutter (1 1/2")



Combined Curb & Gutter (6 5/8")  
Low Edge



ALT. LONGITUDINAL CONSTRUCTION JOINT



EXPANSION JOINT (E.J.)

|  |  |            |         |
|--|--|------------|---------|
| <br><b>CITY OF WICHITA</b><br>PUBLIC WORKS & UTILITIES<br>ENGINEERING DIVISION | <b>CURB &amp; GUTTER DETAILS</b>   |            |         |
|  | CITY ENGINEER<br><b>GARY JANZEN, P.E.</b>  |            |         |
|  | PROJECT NUMBER   | OCA NUMBER | DATE    |
|  | CITY ENGINEER'S OFFICE<br>CITY HALL - SEVENTH FLOOR<br>455 NORTH MAIN STREET<br>WICHITA, KANSAS 67202-1620<br>(316) 268-4501 |            |         |
|  |  |            | 4 of 22 |