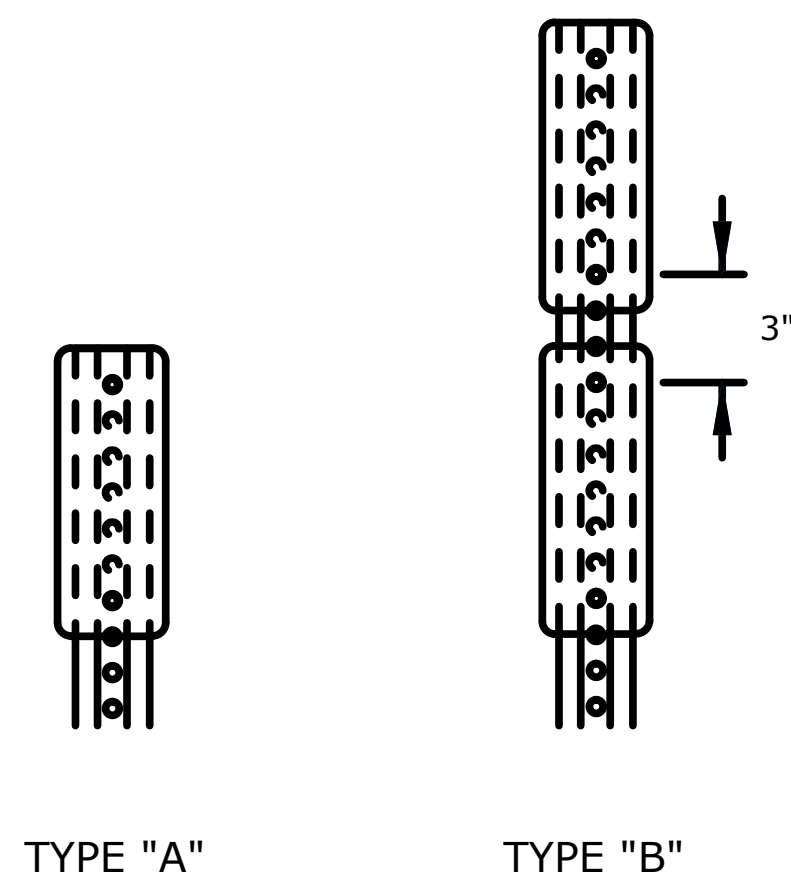


STATE	PROJECT NO.	YEAR	SHEET NO.	TOTAL SHEETS
KANSAS	87 TE-0397-01	2014	SD602	

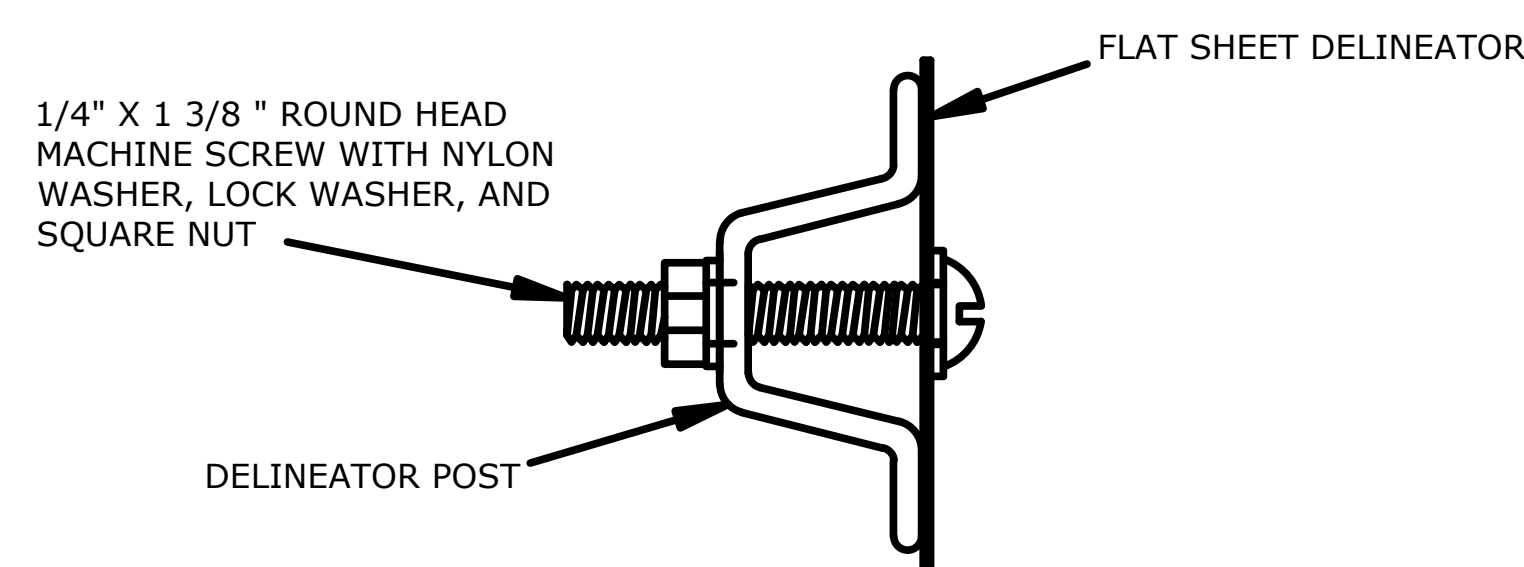
F.A. TEA-T039(701)
C.O.W. 472-85109



TYPICAL DELINEATOR ASSEMBLY POSITIONS FOR STEEL POST MOUNTING

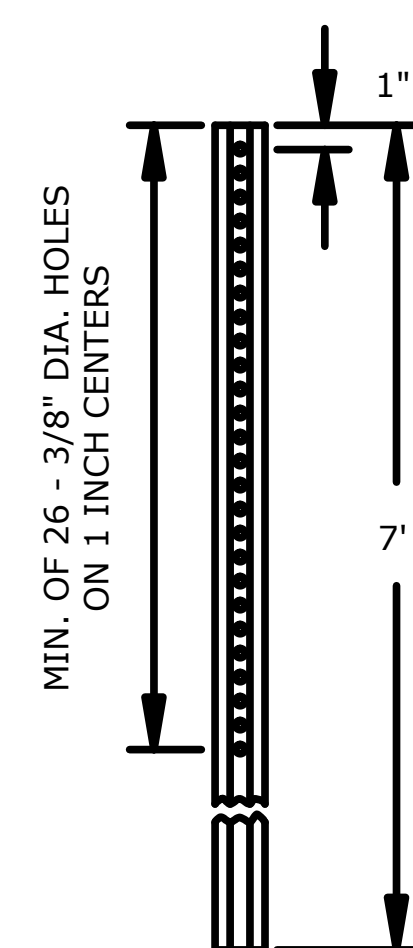
FLAT SHEET DELINEATORS:
SEE FLAT SHEET SIGN BLANK DETAIL SHEETS FOR THE REQUIRED ALUMINUM ALLOYS AND THICKNESS.

THE 3 IN X 8 IN DELINEATOR SIGN FACE SHALL BE COVERED WITH TYPE IV HIGH INTENSITY WHITE OR YELLOW RETROREFLECTIVE SHEETING.

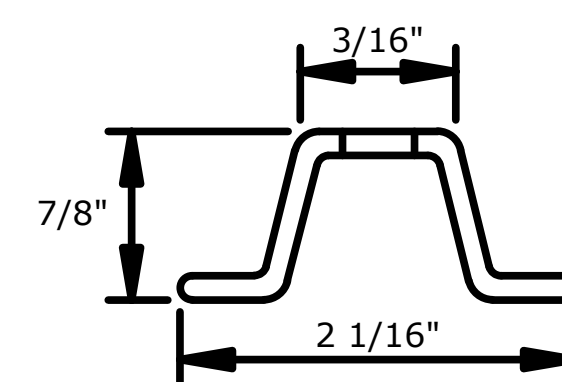


FLAT SHEET DELINEATOR MOUNTING

DETAILS FOR ATTACHING DELINEATORS TO STEEL DELINEATOR POSTS

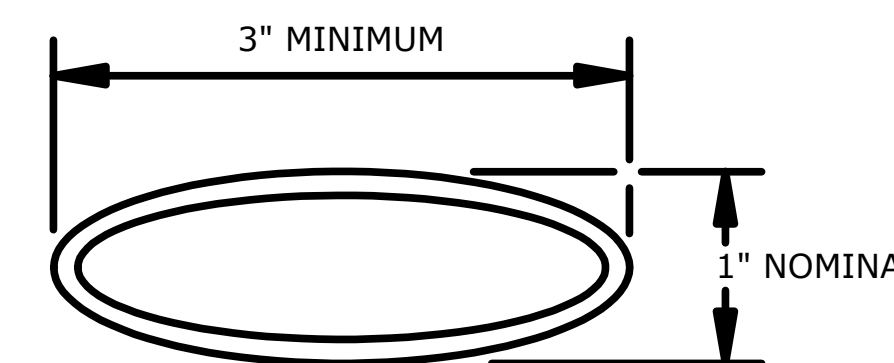
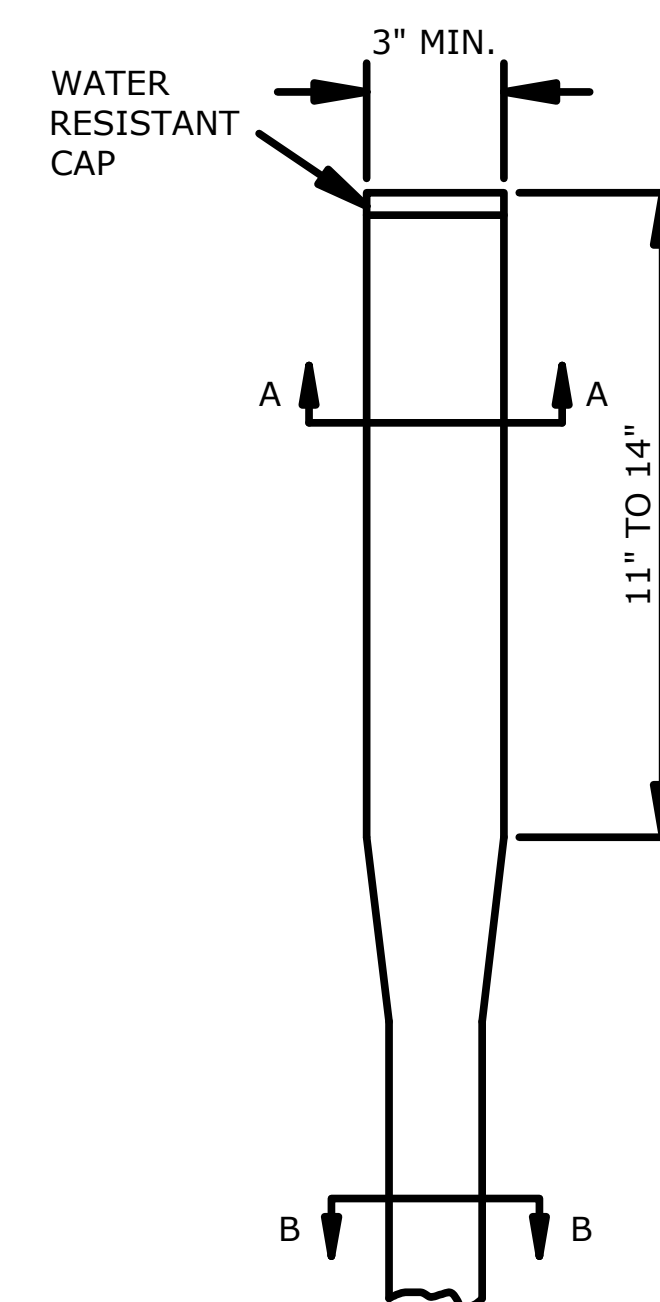


PUNCHING DETAILS

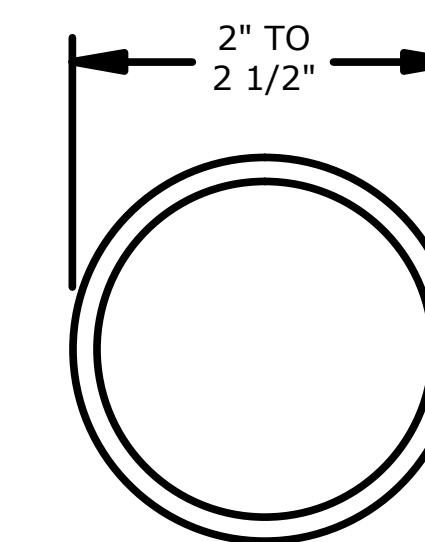


POST DIMENSIONS (ALL DIMENSIONS SHOWN ARE NOMINAL)

STEEL DELINEATOR POST DETAILS

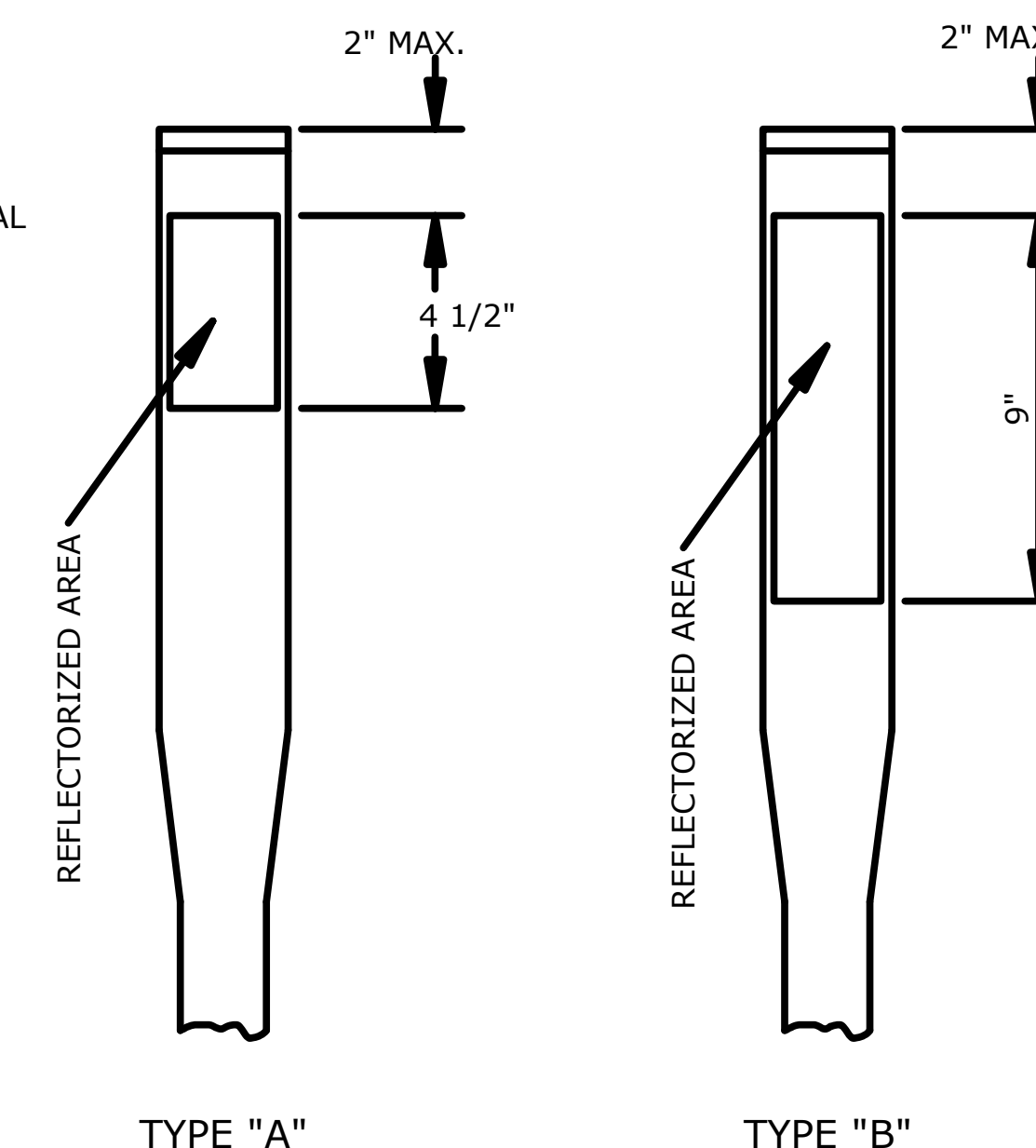


SECTION A-A



SECTION B-B

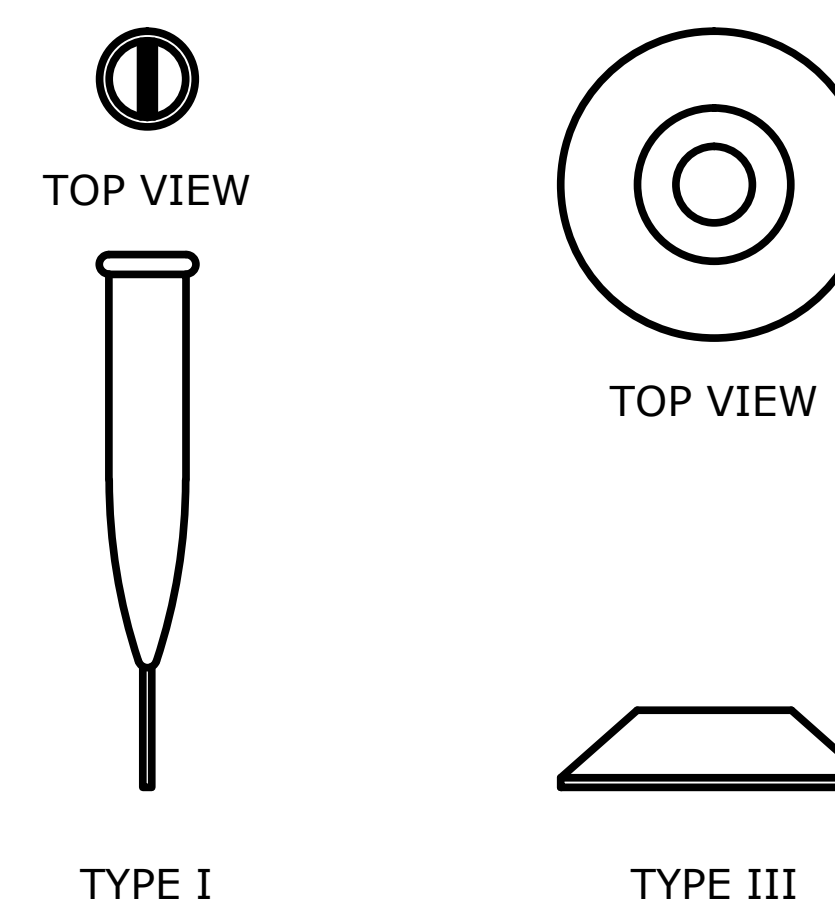
FLEXIBLE DELINEATOR POST DETAILS



TYPICAL REFLECTORIZED AREA POSITIONING FOR FLEXIBLE POST MOUNTING

FLEXIBLE DELINEATOR POSTS AND ANCHORING DEVICES:
THE TOTAL LENGTH OF THE FLEXIBLE POST SHALL BE DETERMINED BY THE CONTRACTOR, AS PER LOCATION AND ANCHORING DEVICE.

REFLECTORIZATION:
THE REFLECTORIZED AREA SHALL BE TYPE IV HIGH INTENSITY WHITE OR YELLOW RETROREFLECTIVE SHEETING. THE REFLECTORIZED AREA SHALL BE 3" MINIMUM IN WIDTH.



ANCHORING DEVICES FOR FLEXIBLE DELINEATORS

DELINEATION NOTE:
SEE THE "DESIGN DETAILS FOR POSITIONING OF DELINEATORS" AND/OR PLAN SHEETS FOR THE DELINEATION SPACING, TYPE, AND COLOR.

NO.	DATE	REVISIONS	BY	APPD
1	7/23/10	Changed Sheeting Type	D.D.S.	D.B.

KANSAS DEPARTMENT OF TRANSPORTATION
DELINEATOR DESIGN DETAILS
STEEL POST MOUNT &
FLEXIBLE POST MOUNT

TE412 7/1/03

DESIGNED BY: D.D.S. (D.D.S.)
CHECKED BY: S.A.B. (S.A.B.)
DATE: 7/23/10