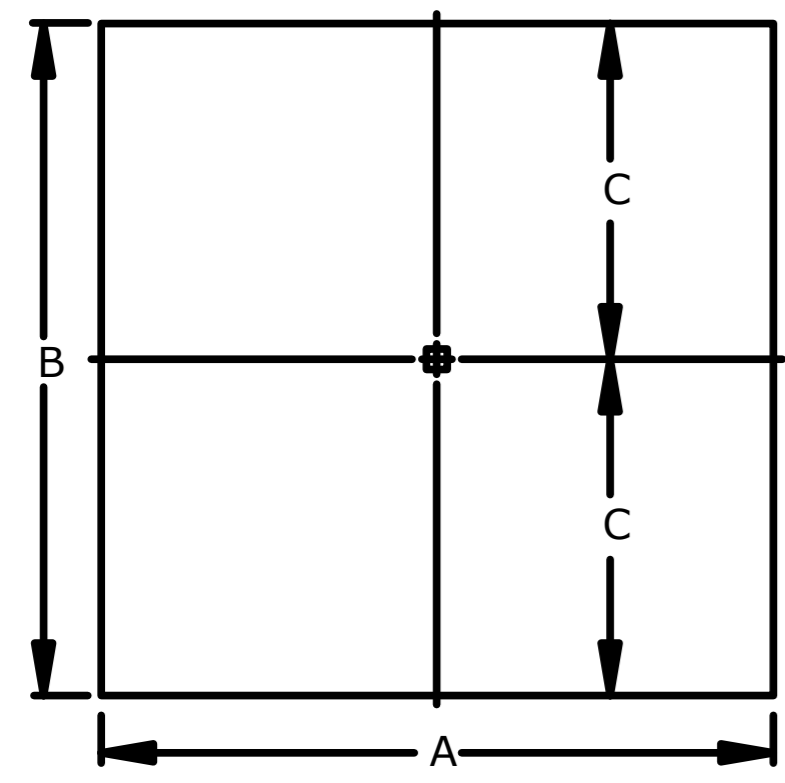
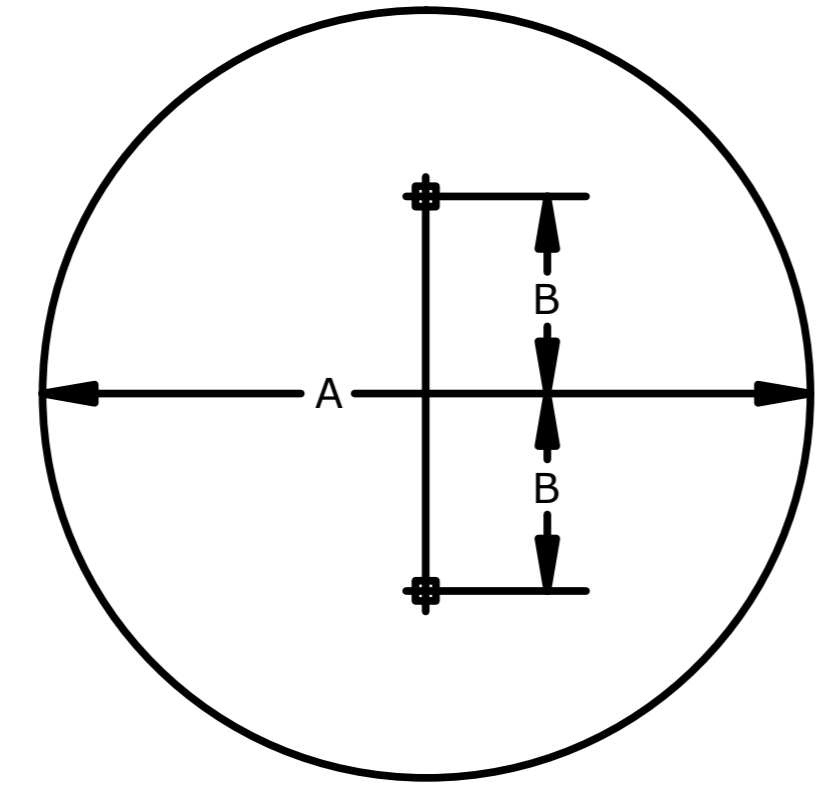


STATE	PROJECT NO.	YEAR	SHEET NO.	TOTAL SHEETS
KANSAS	87 TE-0397-01	2014	SD606	

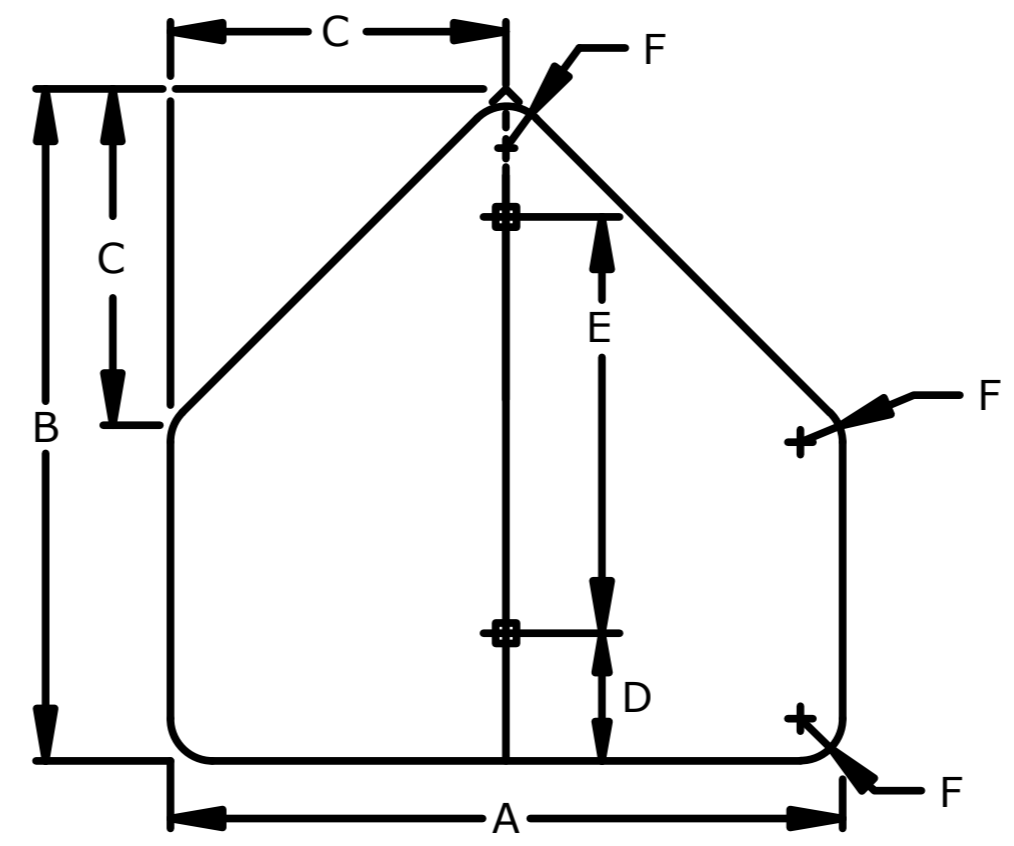
F.A. TEA-T039(701)  
C.O.W. 472-85109



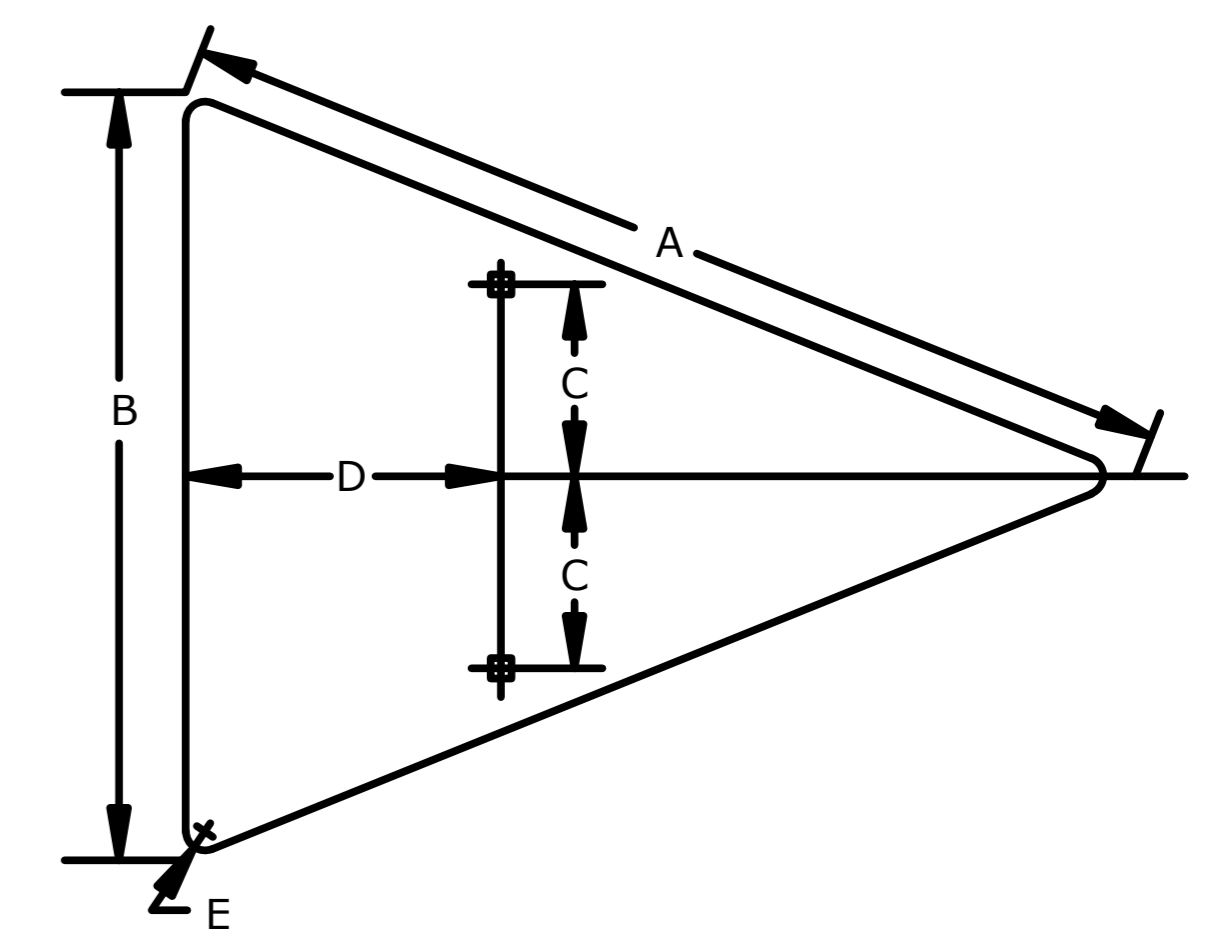
SIGN SIZE	A	B	C	T	AREA
6 X 6	6	6	3	0.063	0.25



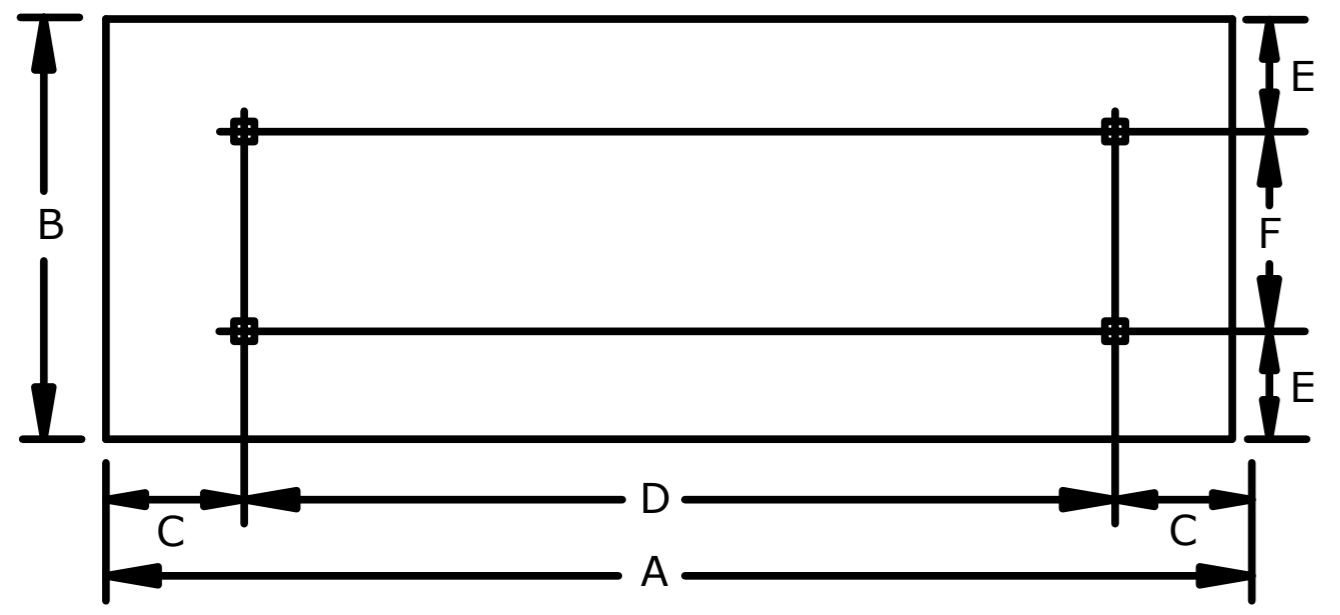
SIGN SIZE	A	B	T	AREA
36 DIA	36	12	0.080	7.07



SIGN SIZE	A	B	C	D	E	F	T	AREA
30 X 30	30	30	15	3	24	48	0.080	4.69
36 X 36	36	36	18	6	24	2 1/4	0.080	6.75

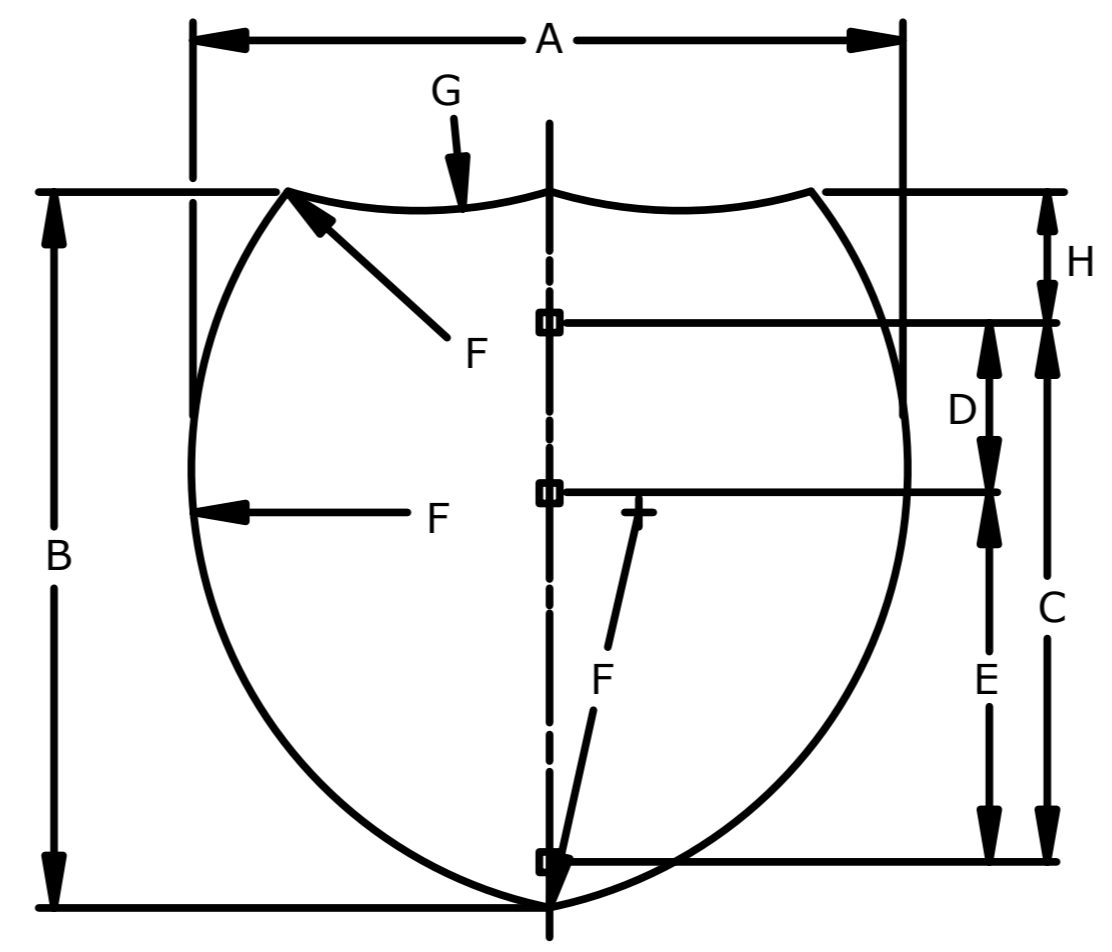


SIGN SIZE	A	B	C	D	E	T	AREA
48 X 36	48	36	9	14 3/4	2 1/4	0.125	5.56



SIGN SIZE	A	B	C	D*	E	F	T	AREA
102 X 18	102	18	3	13 HOLES @ 8" SPACING	3	12	0.100	12.75

\* 3/8" DIA. HOLES



INDEPENDENT USE

DIMENSIONS										
SIZE	A	B	C	D	E	F	G	H	T	AREA
24 X 24	24	24	18	-	-	15	15	3	0.080	3.20
36 X 36	36	36	30	12	18	22.5	22.5	3	0.080	7.20
30 X 24	30	24	18	-	-	17	24	3	0.080	3.99
45 X 36	45	36	30	12	18	25.5	36	3	0.100	8.99

NOTES:  
ALL HOLES ARE 3/8 " SQUARE, UNLESS OTHERWISE NOTED.  
THE DIMENSION "T" IS THE THICKNESS OF THE ALUMINUM BLANK.

ALL DIMENSIONS ARE IN INCHES.

NO.	DATE	REVISIONS	BY	APPD
KANSAS DEPARTMENT OF TRANSPORTATION				
SIGN BLANK DETAILS FOR FLAT SHEET SIGNS				
TE509		7/1/03		
DESIGNED	D.G. (DETAILS)	CHECKED	A.A. (QUANTITIES)	DATE
DRAWN	S.A. (DETAILS)	DESIGNED	D.G. (QUANTITIES)	DATE