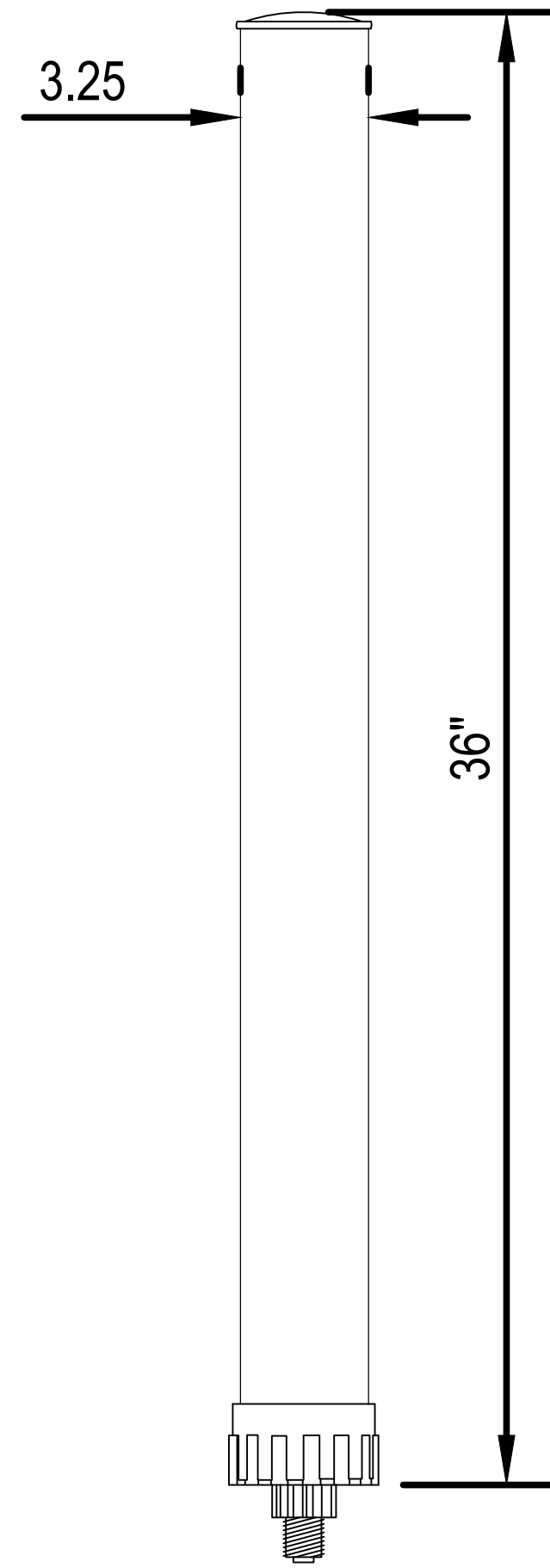
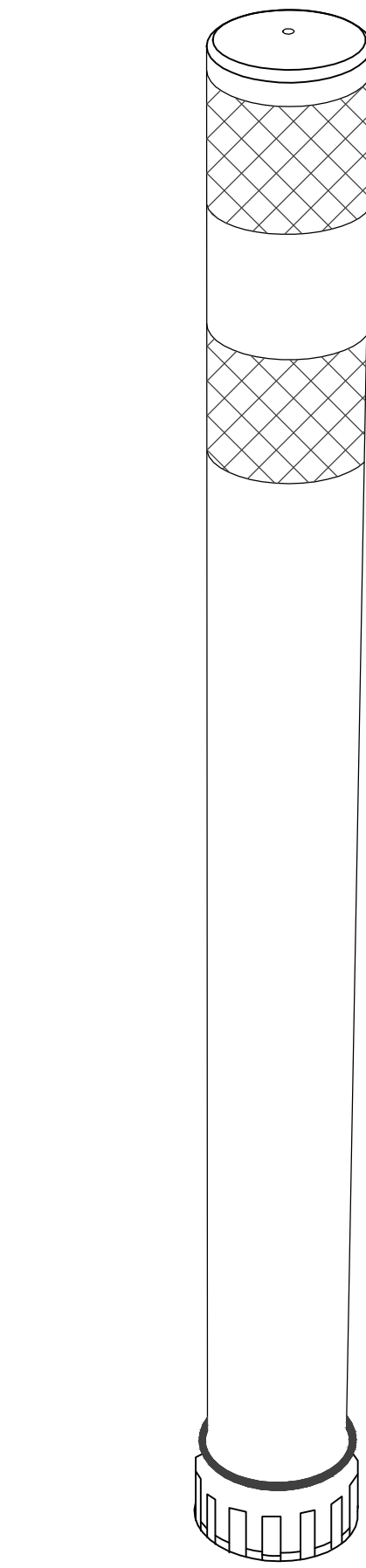


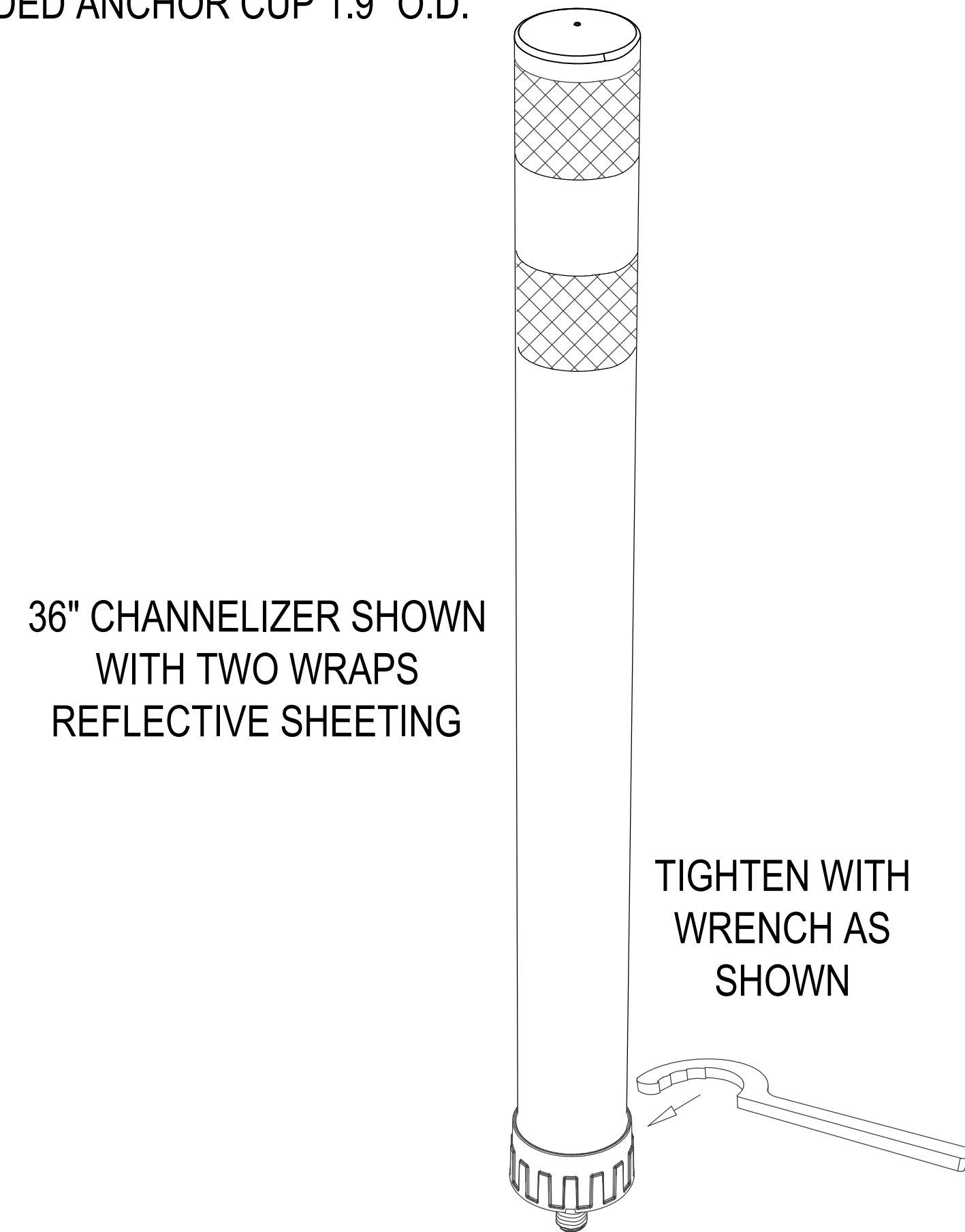
AT-GRADE  
EMBEDDED ANCHOR CUP 1.9" O.D.



FRONT ELEVATION



ISOMETRIC  
WITH TWO WRAPS  
REFLECTIVE SHEETING



36" CHANNELIZER SHOWN  
WITH TWO WRAPS  
REFLECTIVE SHEETING

TIGHTEN WITH  
WRENCH AS  
SHOWN

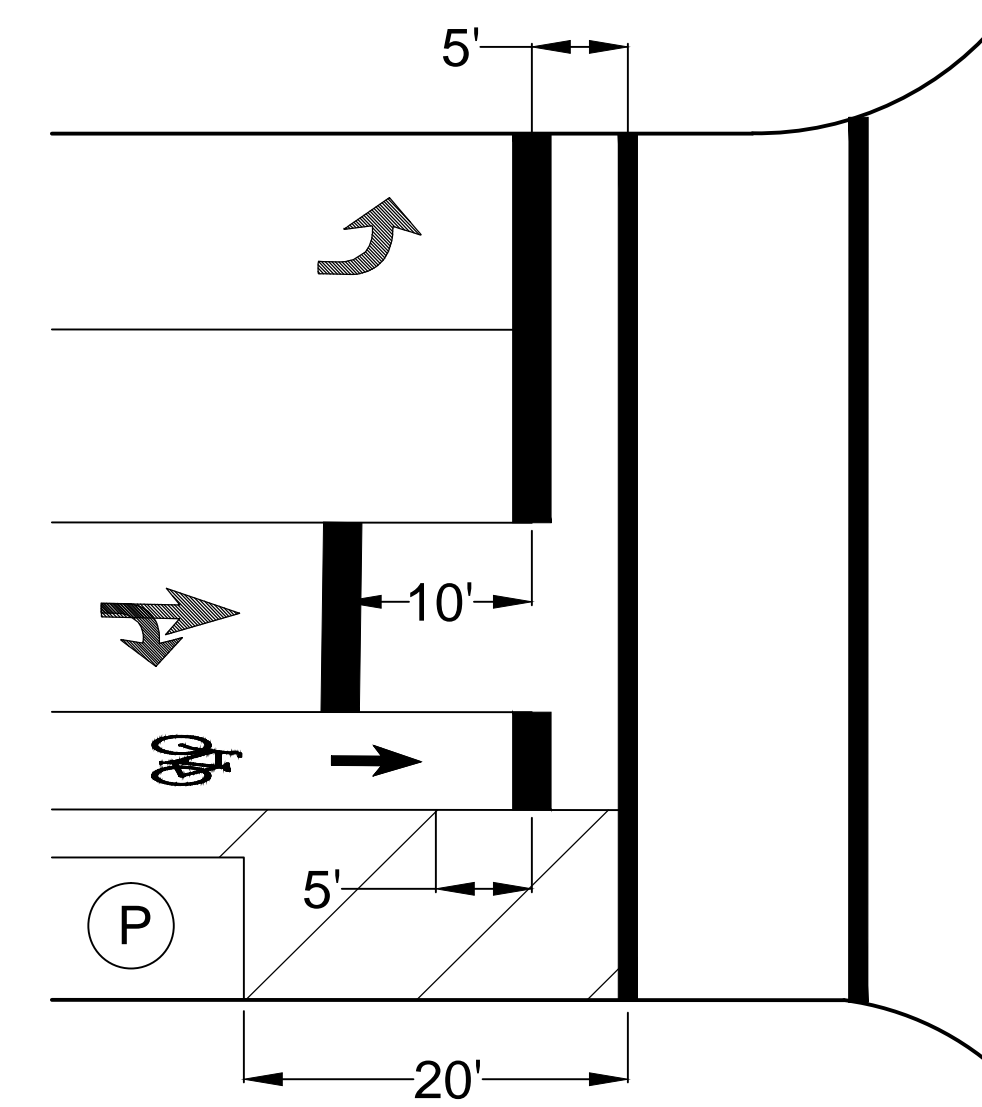
SPINS INTO  
EMBEDDED  
ANCHOR CUP

ISOMETRIC  
WITH EMBEDDED ANCHOR CUP

**WHITE CHANNELIZER (FLEXIBLE)**

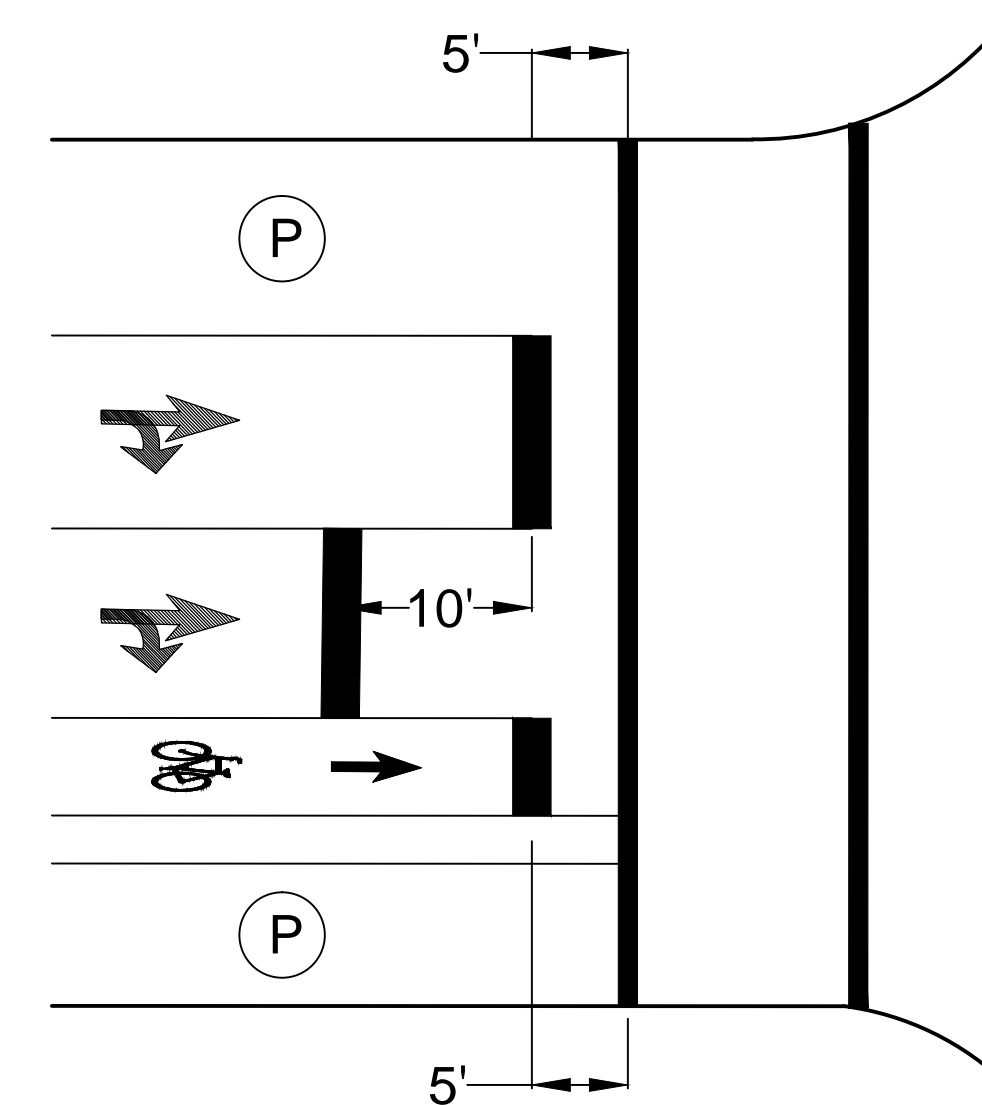
NOT TO SCALE

NOTE: POSTS MUST BE ABLE TO WITHSTAND AT LEAST 100 HITS IN TEST RESULTS PROVIDED BY MANUFACTURER



**SET BACK STOP LINE DETAIL**

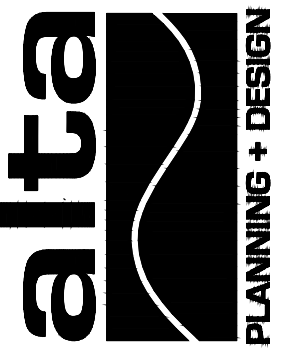
NOT TO SCALE



**SET BACK STOP LINE DETAIL**

NOT TO SCALE

SEAL:



CITY OF WICHITA, KANSAS  
**MARKET & TOPEKA STREET  
ON-STREET BIKEWAYS**

REVISD

PROJECT NUMBER  
87 TE-0397-01

FINAL  
PLANS

SHEET NUMBER:  
DS301

DESIGNED BY: \_\_\_\_\_ DRAWN BY: \_\_\_\_\_ CHECKED BY: \_\_\_\_\_ DATE: \_\_\_\_\_