

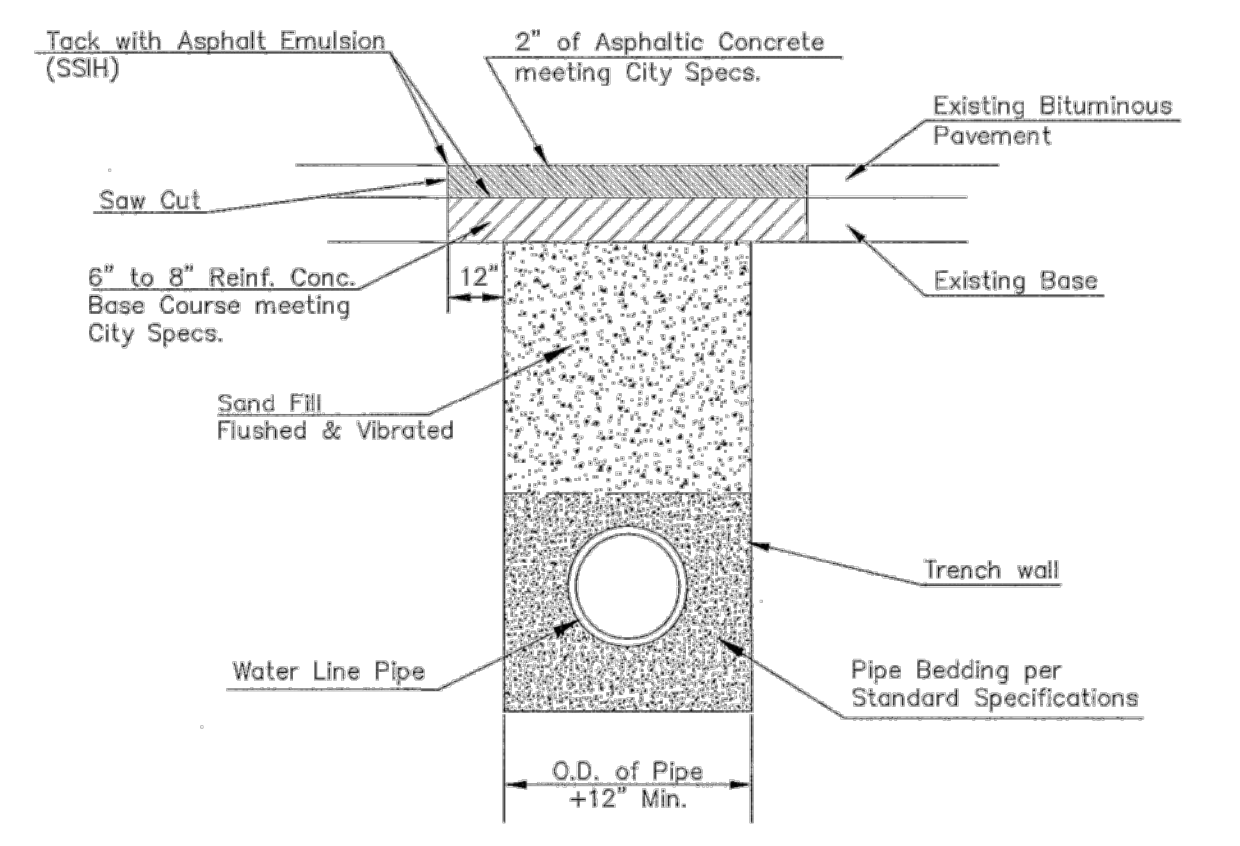
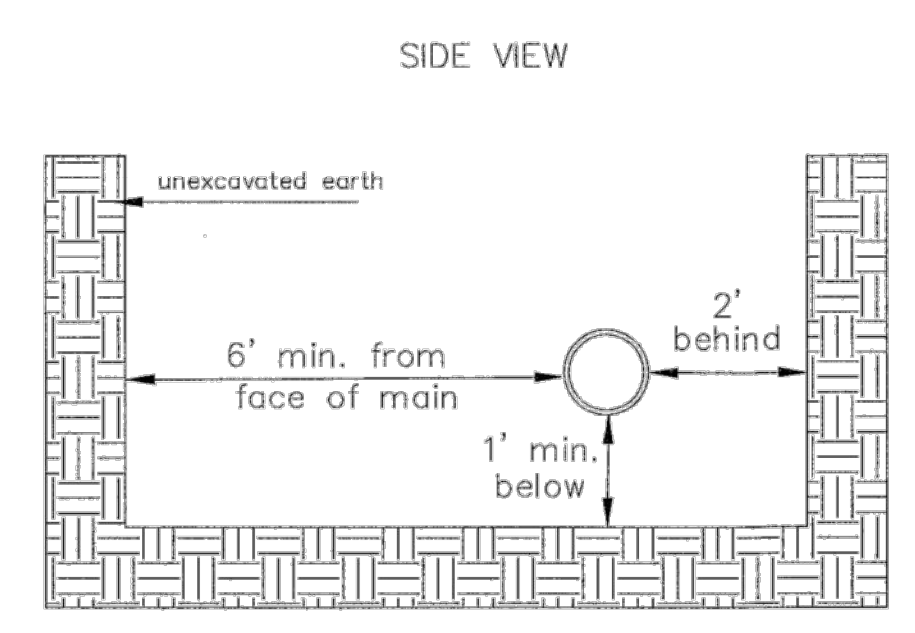
Note: Encasement to begin and end at a Bell on Sanitary Sewer Pipe.

TRENCH COMPACTION IN ROAD RIGHT-OF-WAY

REINFORCED CONCRETE ENCASEMENT OF SANITARY SEWER

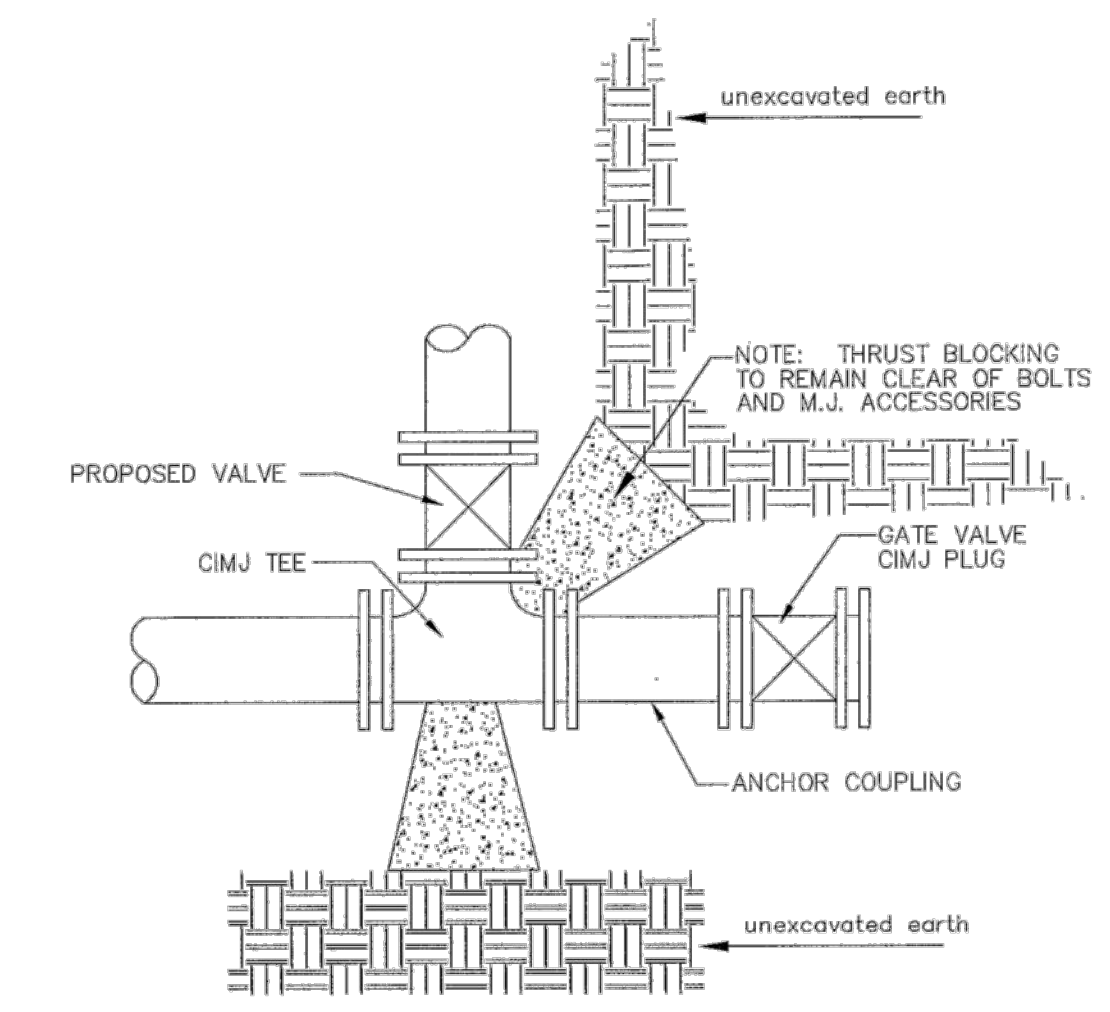
PIPE SIZE	THRUST AT FITTINGS IN TONS—AT 150#/IN ² P					
	PLUG	90°	45°	22 1/2°	11 1/4°	TEE
6"	2.8	3.95	2.15	1.09	.55	2.8
8"	4.9	6.95	3.75	1.90	.96	4.9
12"	11.4	16.1	8.75	4.45	2.25	11.4
16"	20.15	28.5	15.4	7.85	3.95	20.15
20"	31.15	44.0	23.85	12.15	6.10	31.15
24"	44.55	63.0	34.1	17.4	8.75	44.55

TYPICAL THRUST BLOCKS



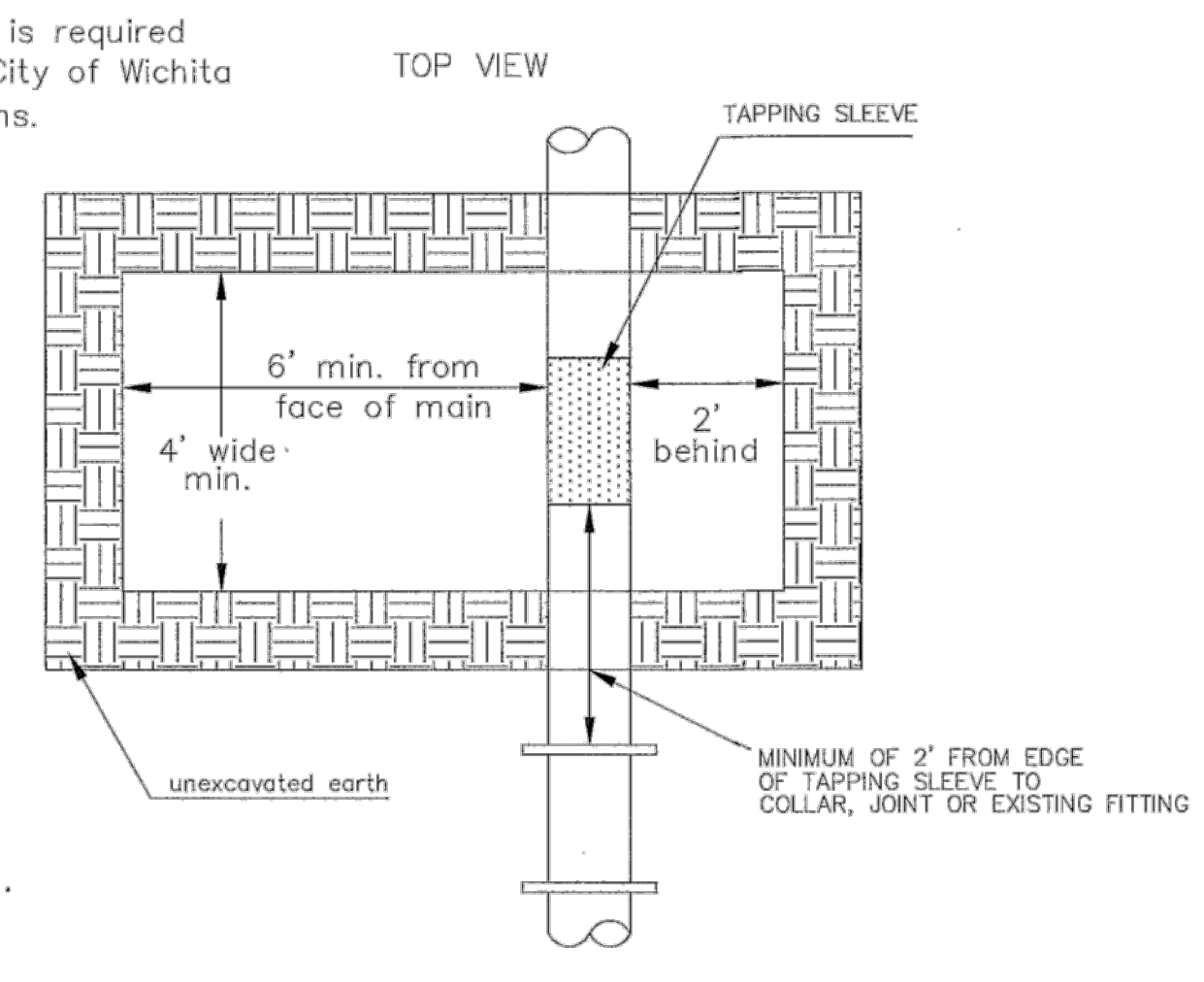
PAVEMENT REPLACEMENT & TRENCH COMPACTION UNDER EXISTING AND PROPOSED CITY ROADS

REVISED: JUNE 2015

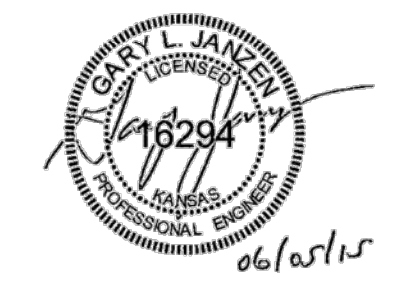


KEY BLOCK DETAIL

* PLANS GOVERN UNLESS OTHERWISE NOTED ON PLANS



EXCAVATION FOR WET TAP



MISCELLANEOUS WATER DETAILS

CITY ENGINEER
GARY JANZEN, P.E.

PROJECT NUMBER OCA NUMBER DATE

CITY ENGINEER'S OFFICE
CITY HALL - SEVENTH FLOOR
455 NORTH MAIN STREET
WICHITA, KANSAS 67202-1620
(316) 268-4301

SHEET
_ of _

Burns & McDonnell
SINCE 1898

9400 WARD PARKWAY
KANSAS CITY, MO 64114
816-333-9400
LICENSEE NO. 000165

date AUGUST 25, 2014	detailed M. CHARRETTE
designed J. MCNIFF	checked S. WILSON



ETHEL NEIGHBORHOOD WATER MAIN REPLACEMENT
DETAIL SHEET 4

project 77025	contract 448-90612
drawing C091 - 0	
sheet 98	of 101 sheets
file WL-104_DETAILSHEET4.dwg	

Scale For Microfitting

Inches

J:\WCHIT\77025 - Ethel\WMCADD\06_Civil\WL-104_DETAIL\WMCADD06_Civil\WL-104_DETAILSHEET4.dwg Jul 16, 2015 - 9:56am mchanette
COPYRIGHT © 2015 BURNS & MCDONNELL ENGINEERING COMPANY, INC.

Name
Discipline
License No.