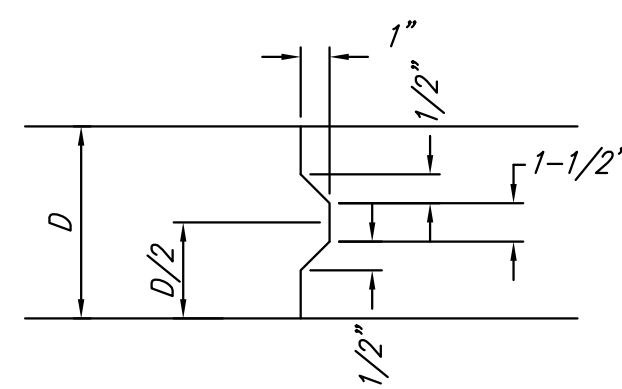
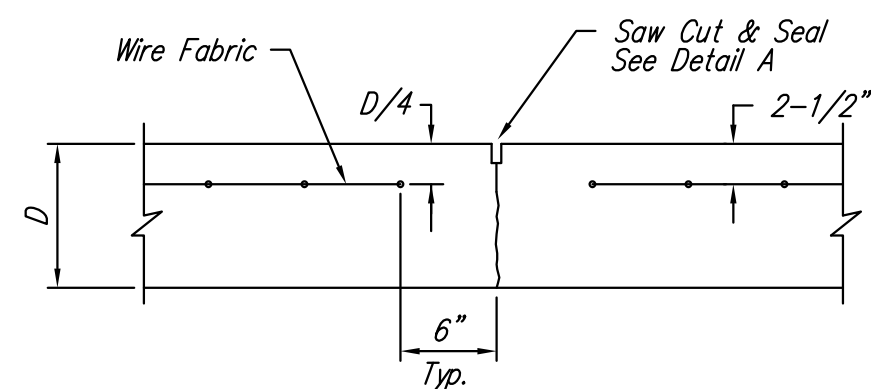


EXPANSION JOINT

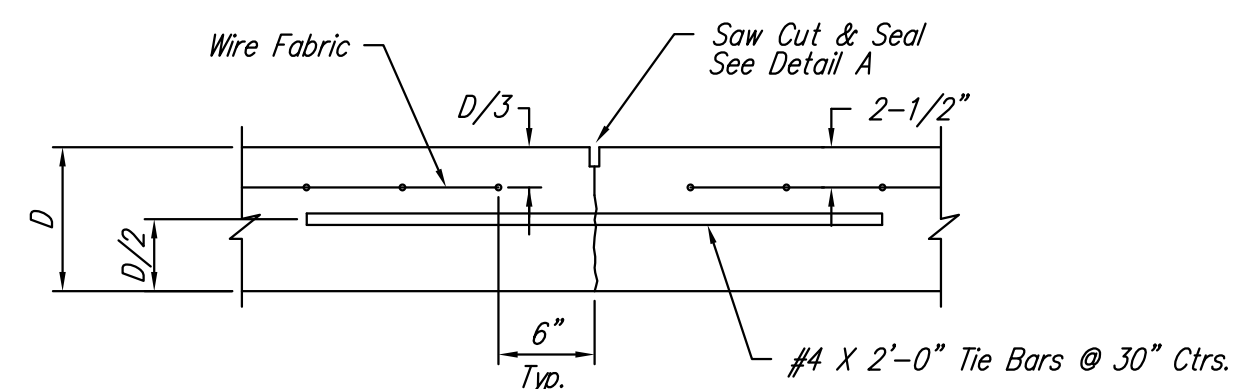
NOTE: Extra Thickness to be Subsidiary to Price of Square Yards Pavement



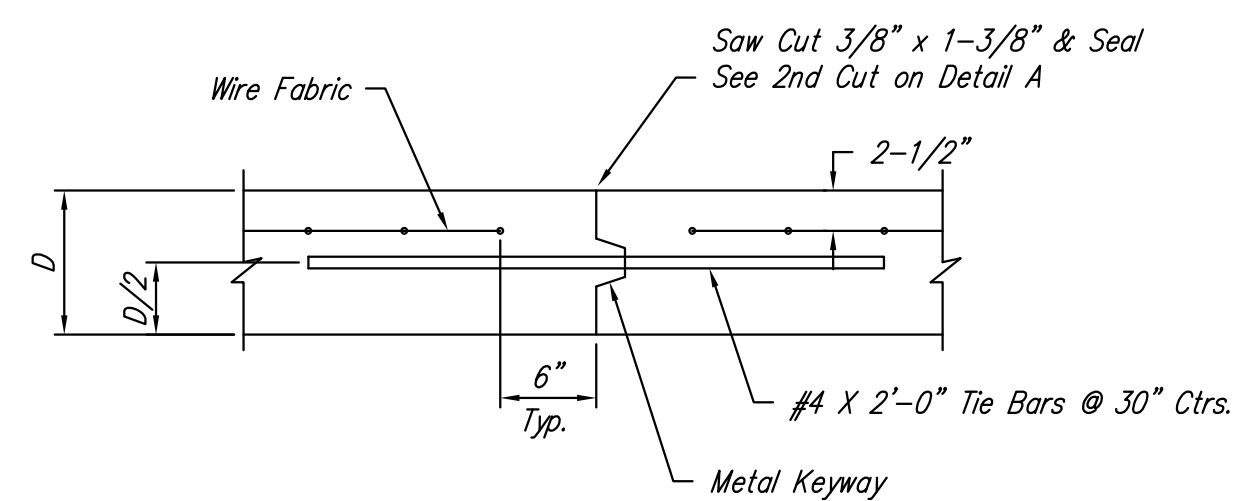
KEYWAY DETAIL



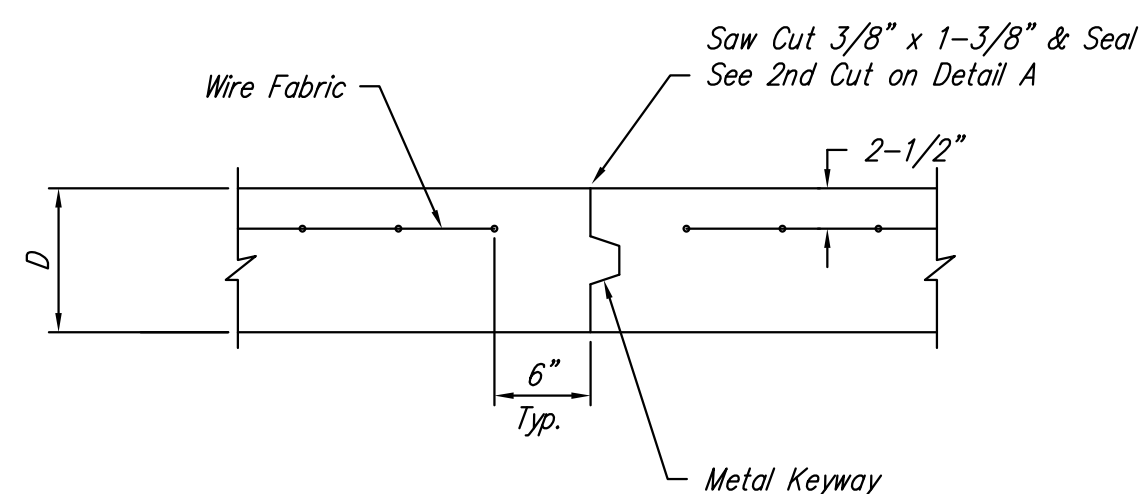
CONTRACTION JOINT DETAIL (C.J.)



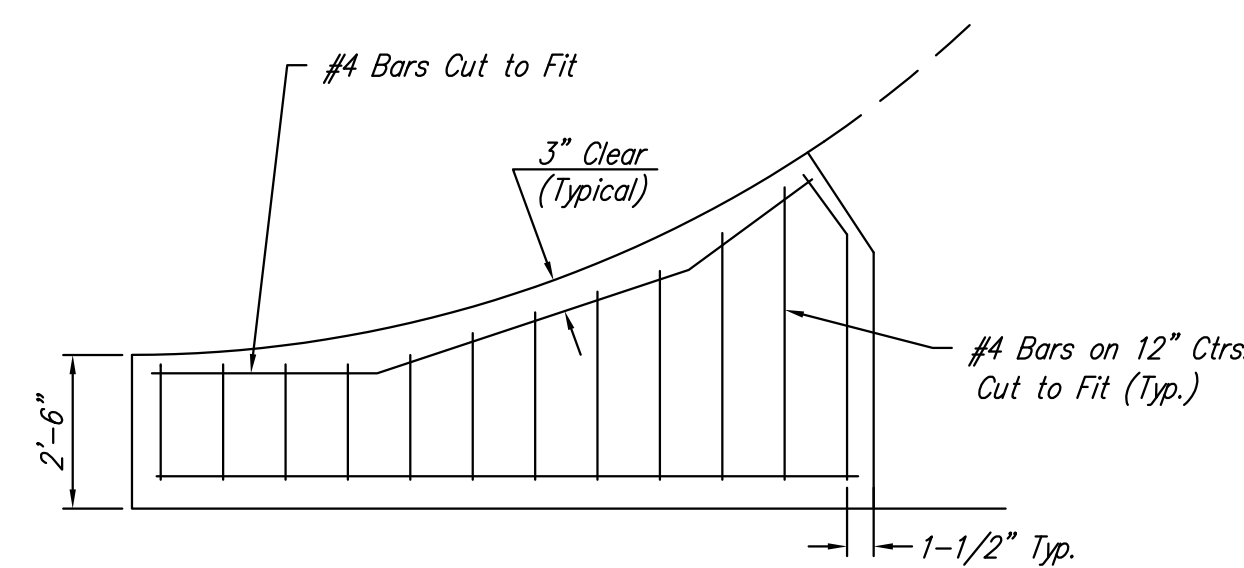
LONGITUDINAL JOINT DETAIL (L.J.)



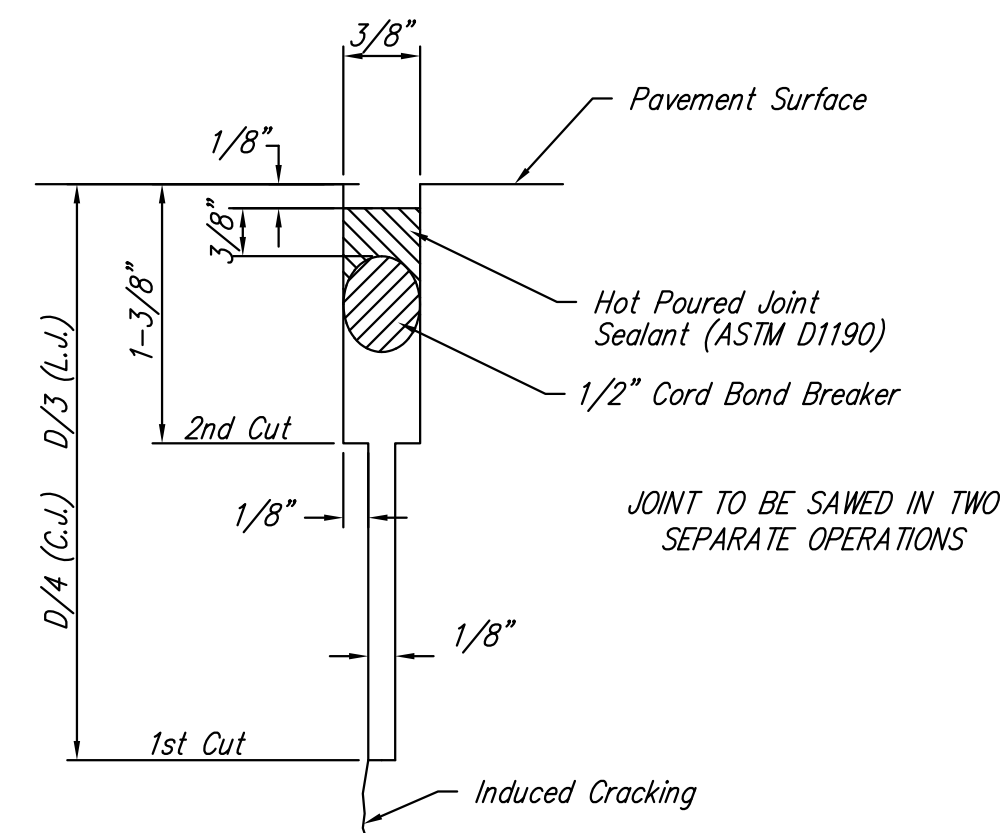
OPTIONAL LONGITUDINAL JOINT DETAIL (L.J.)



OPTIONAL CONTRACTION JOINT



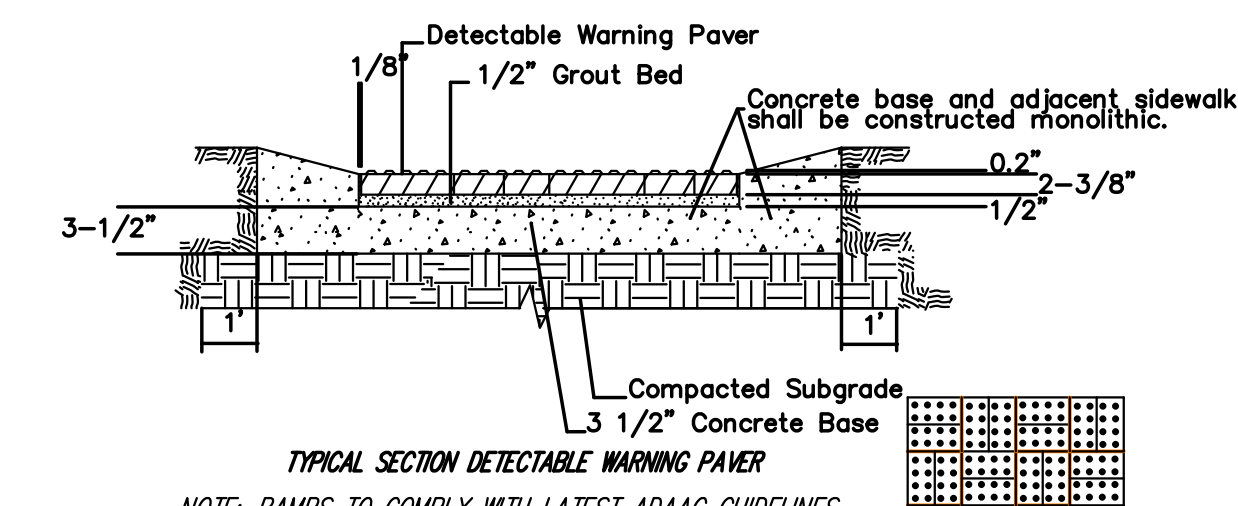
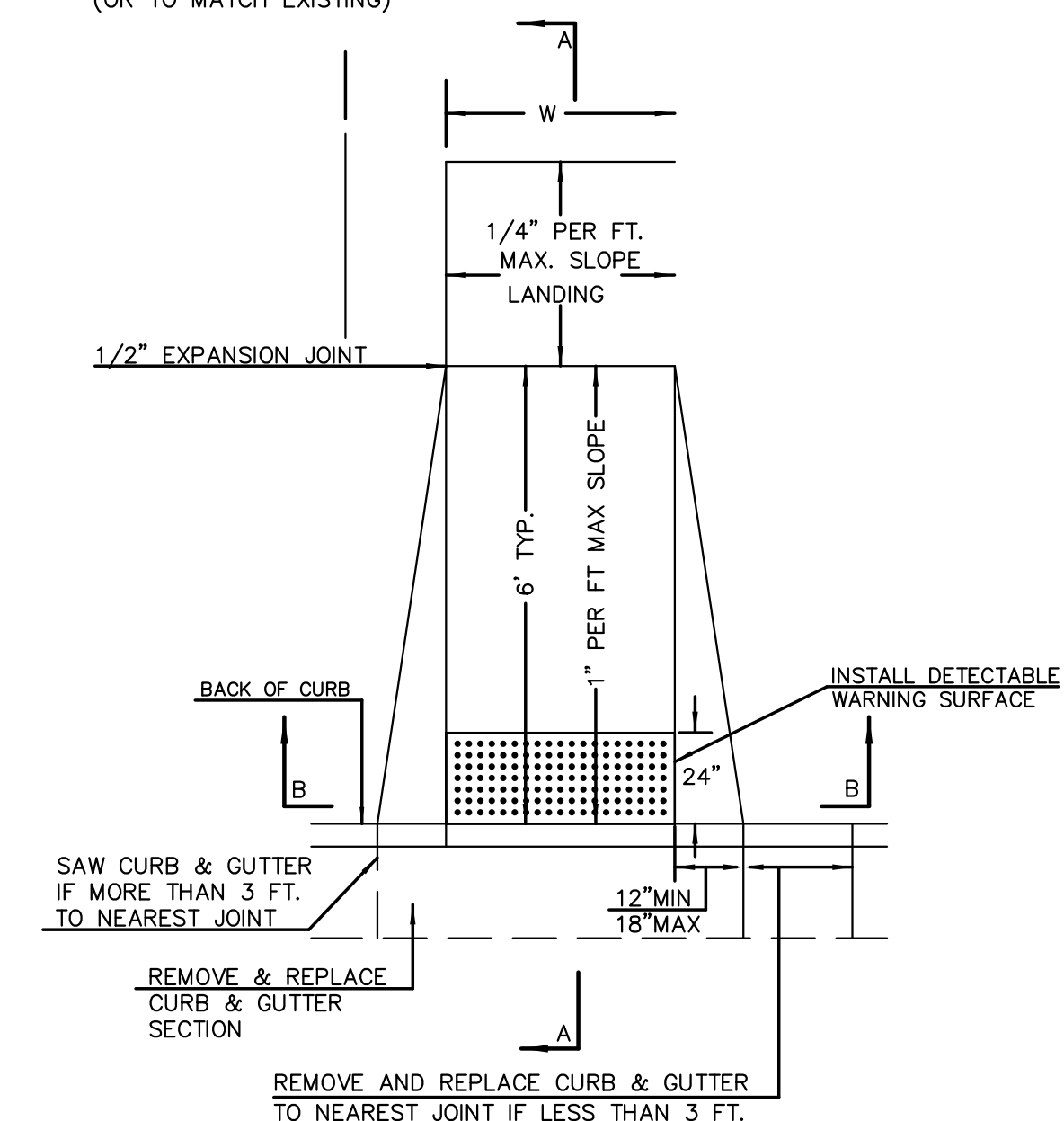
WING REINFORCING DETAIL



SAW JOINT DETAIL

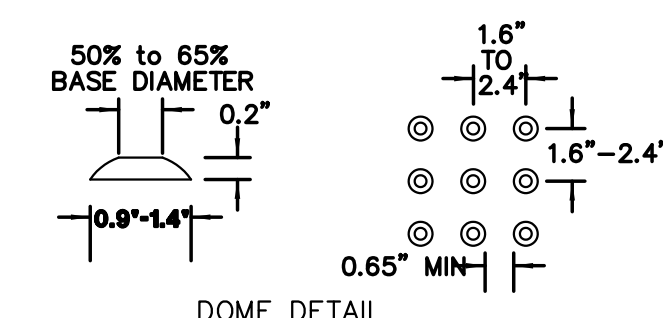
(TYPE A)  
STANDARD WHEELCHAIR RAMP  
WITH DETECTABLE WARNING  
CONSTRUCTION DETAIL FOR STREETS  
WITH COMBINED CURB & GUTTER

W= 4'0" FOR STANDARD RAMP  
W= 5'0" FOR RAMP AT SCHOOL CROSSWALKS  
(OR TO MATCH EXISTING)

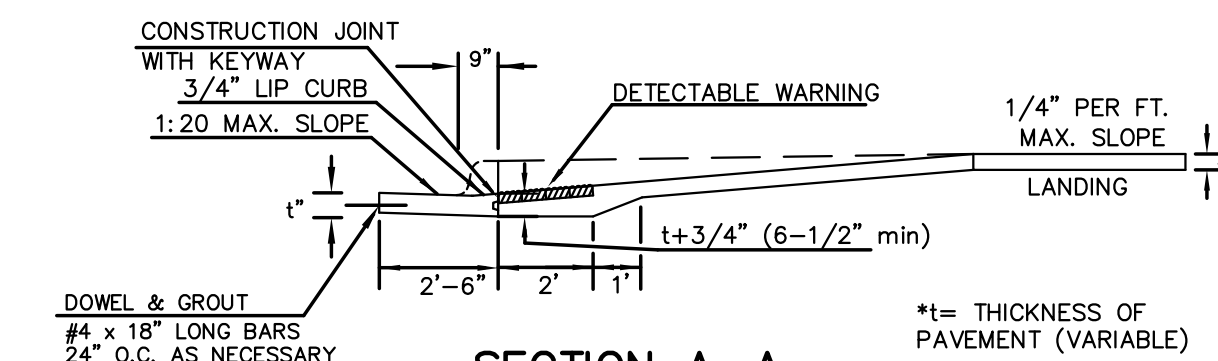


NOTE: RAMPS TO COMPLY WITH LATEST ADAAG GUIDELINES. PAVESTONE DETECTABLE WARNING PAVERS (OR AN APPROVED EQUAL) SHALL BE USED IN ALL WHEELCHAIR RAMPS. THE RED PAVES SHALL BE INSTALLED USING A BASKET WEAVE/PARQUET PATTERN. OTHER PATTERNS MAY BE USED WITH APPROVAL OF ENGINEER. SAND FILL JOINTS. ALIGN DOMES IN THE DIRECTION OF PEDESTRIAN TRAVEL.

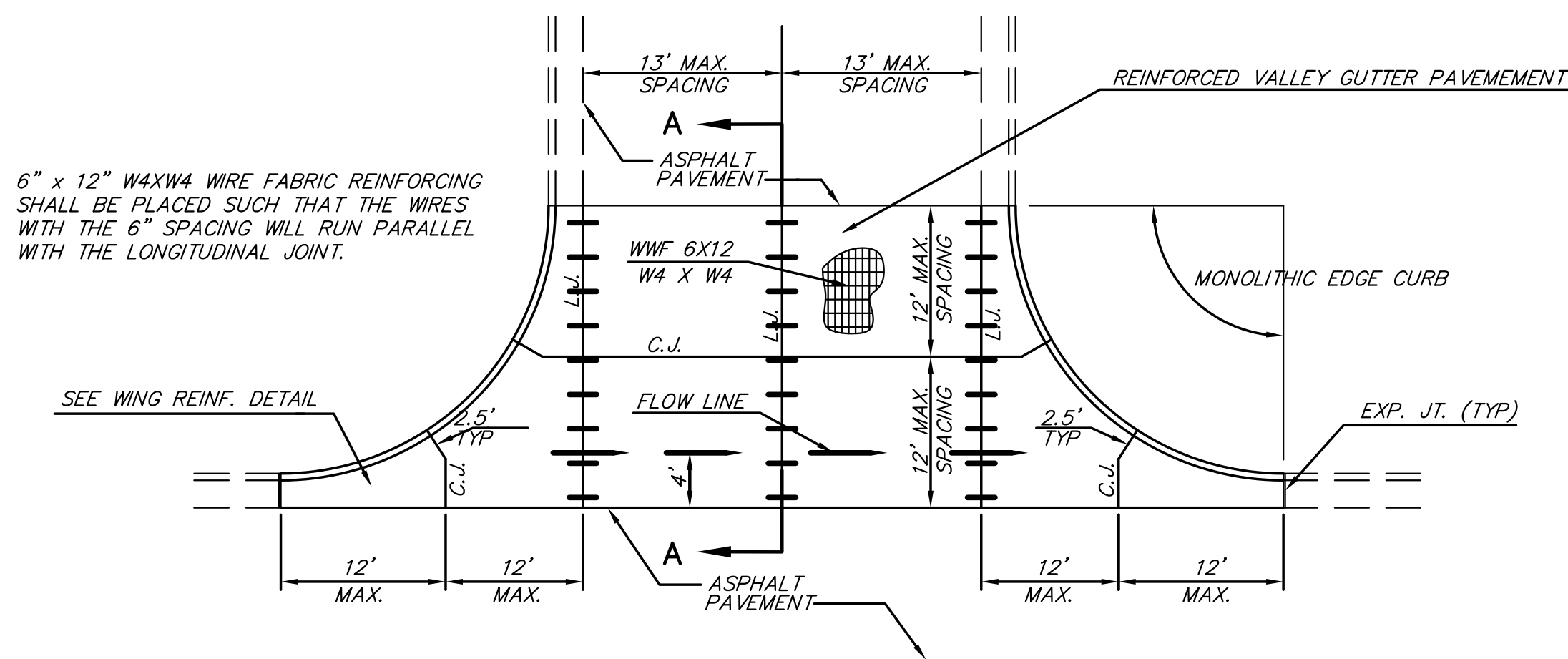
SECTION B-B



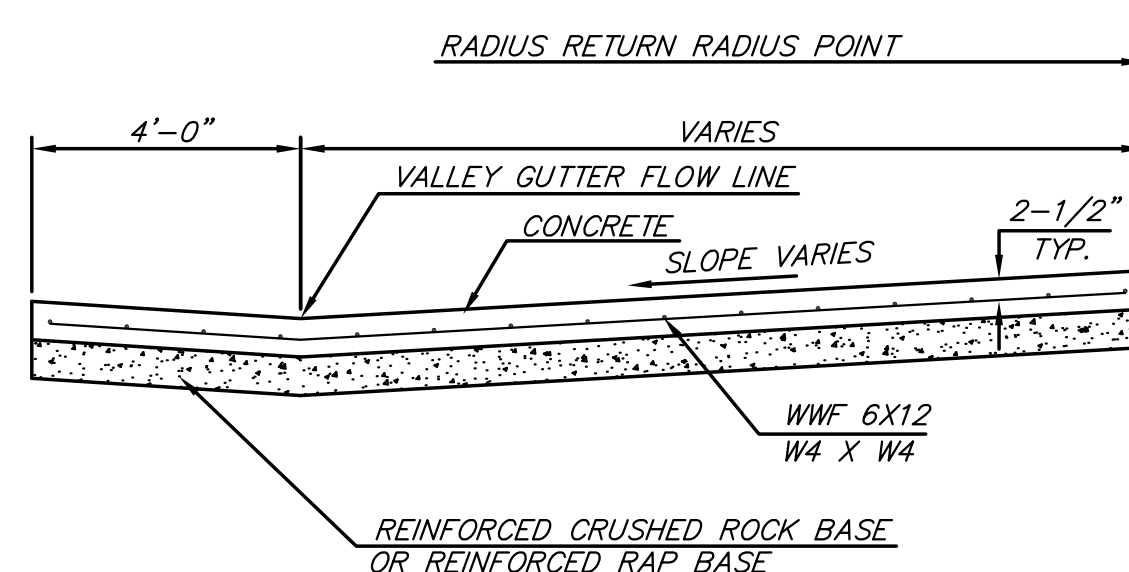
DOMES DETAIL



SECTION A-A



PLAN



SECTION A-A

REINFORCED VALLEY GUTTER DETAIL



VALLEY GUTTER DETAILS  
WHEELCHAIR RAMP  
DETAILS

CITY ENGINEER  
GARY JANZEN, P.E.

| PROJECT NUMBER   | OCA NUMBER | DATE            |
|--|------------|-----------------|
| 472-85167  | 766337     |                 |
| CITY ENGINEER'S OFFICE<br>CITY HALL - SEVENTH FLOOR<br>455 NORTH MAIN STREET<br>WICHITA, KANSAS 67202-1620<br>(316) 268-4501 |            | SHEET<br>2 OF 5 |