

STORMWATER DRAIN #394 FOR
FOX RIDGE PLAZA ADDITION

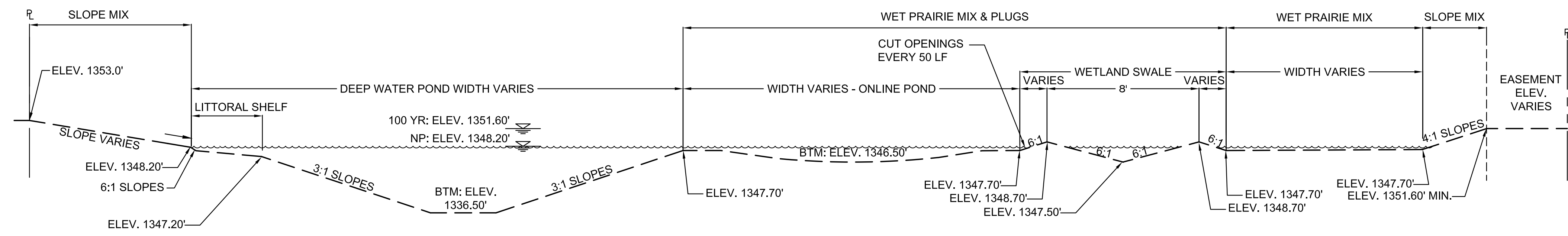
©2015
MKEC Engineering
All Rights Reserved
www.mkec.com
These drawings and their contents, including, but not limited to, all concepts, designs, & ideas are the exclusive property of MKEC Engineering (MKEC), and may not be used or reproduced in any way without the express consent of MKEC.

WETLAND SECTIONS

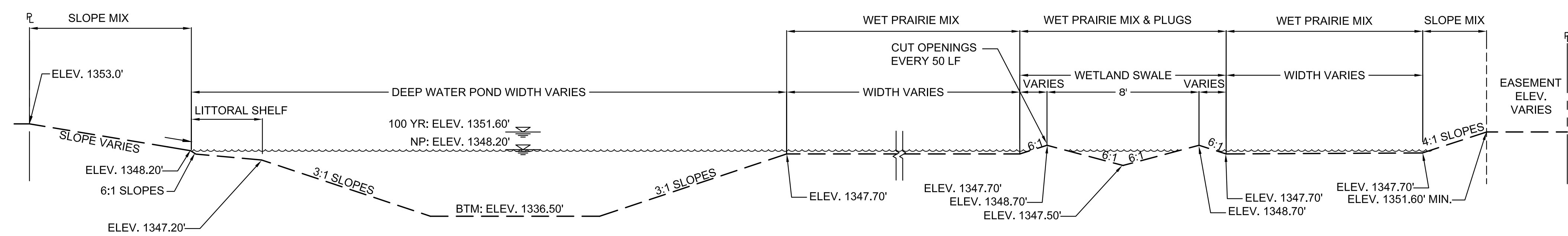
PROJECT NO.	468-84953	
DATE	JULY 2015	
SCALE	1"=30'	
DESIGNED	DRAWN	CHECKED
MLP	MLP	GJA

NO.	REVISION	DATE
-----	----------	------

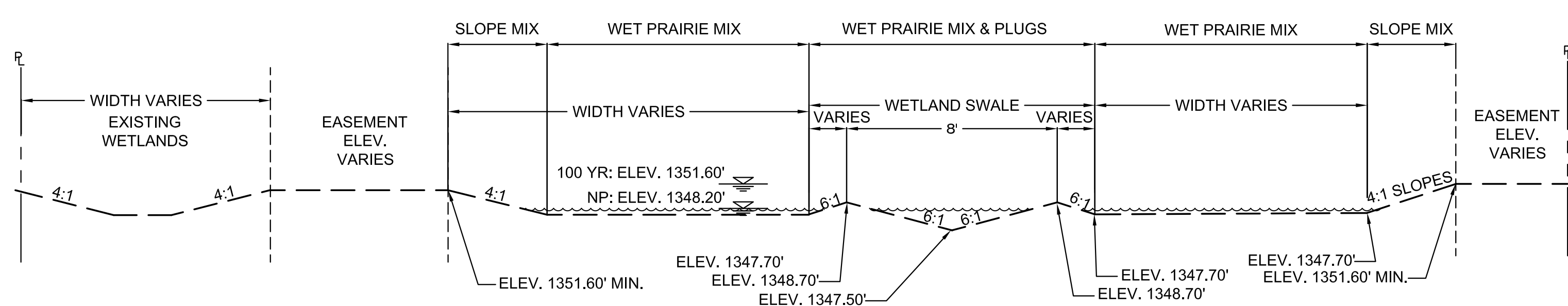
SHEET NO.



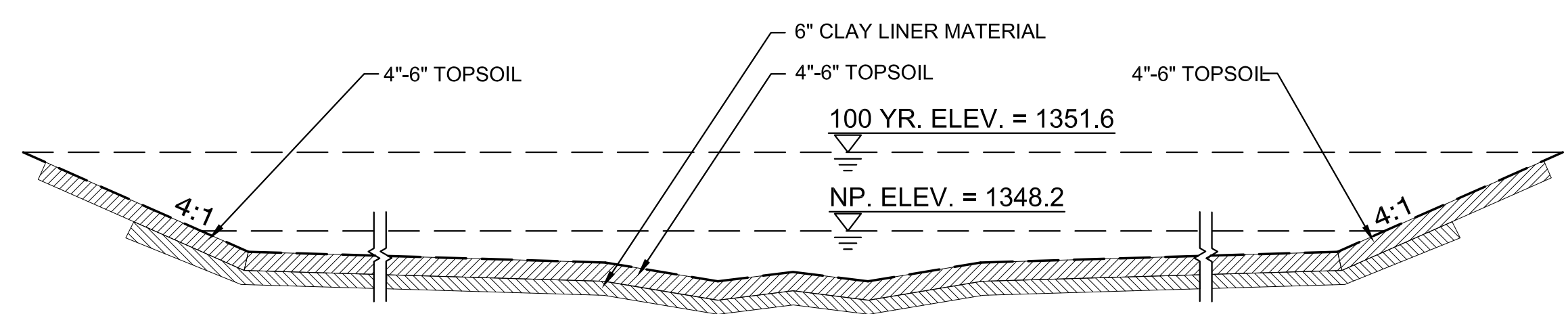
A TYPICAL SECTION
NOT TO SCALE



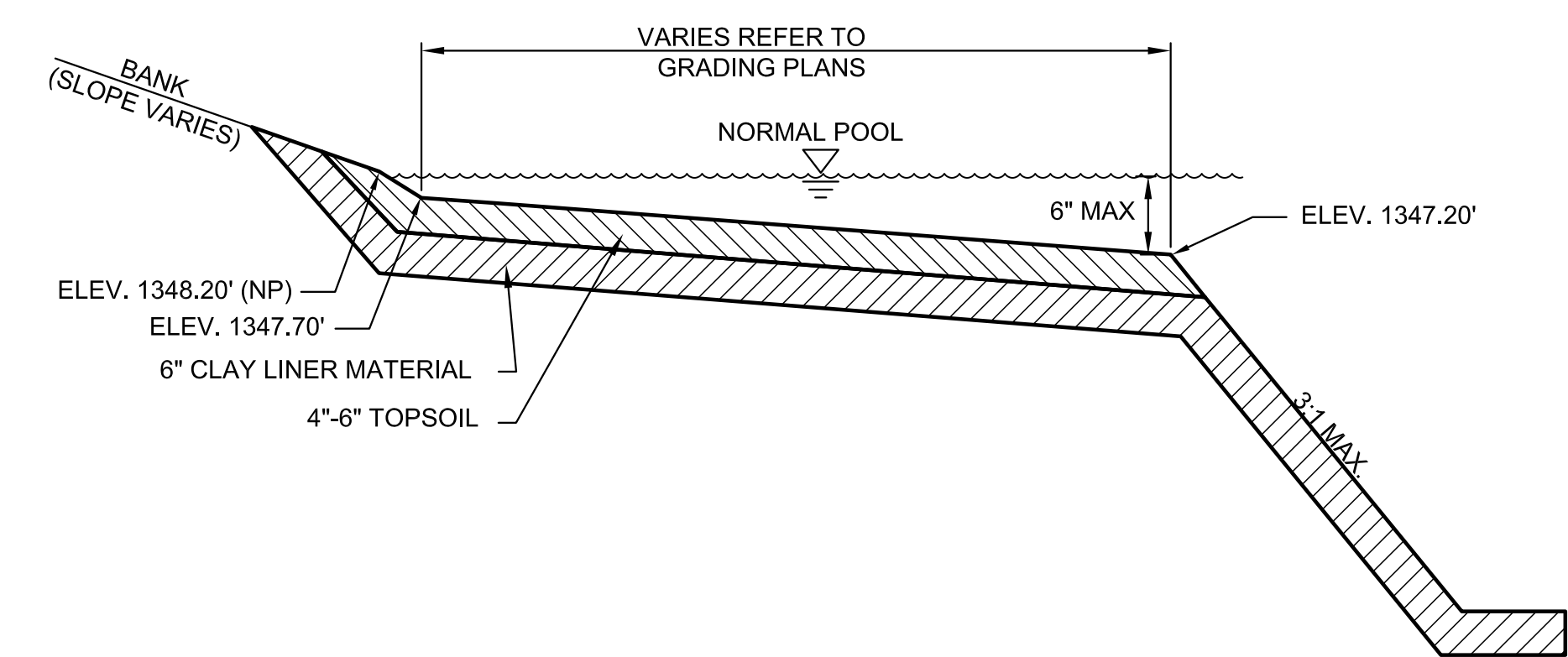
B TYPICAL SECTION
NOT TO SCALE



C TYPICAL SECTION
NOT TO SCALE



TYPICAL DETENTION LINER
NOT TO SCALE



LITTORAL BENCH
NOT TO SCALE

J:\PROJECTS\2011\1010577 PREMIER FOX RIDGE PLAZA\CIVIL\CAD\GRD\11577_GR_DR_03.DWG
 PLOTTED: Wednesday, July 22, 2015 @ 09:21AM