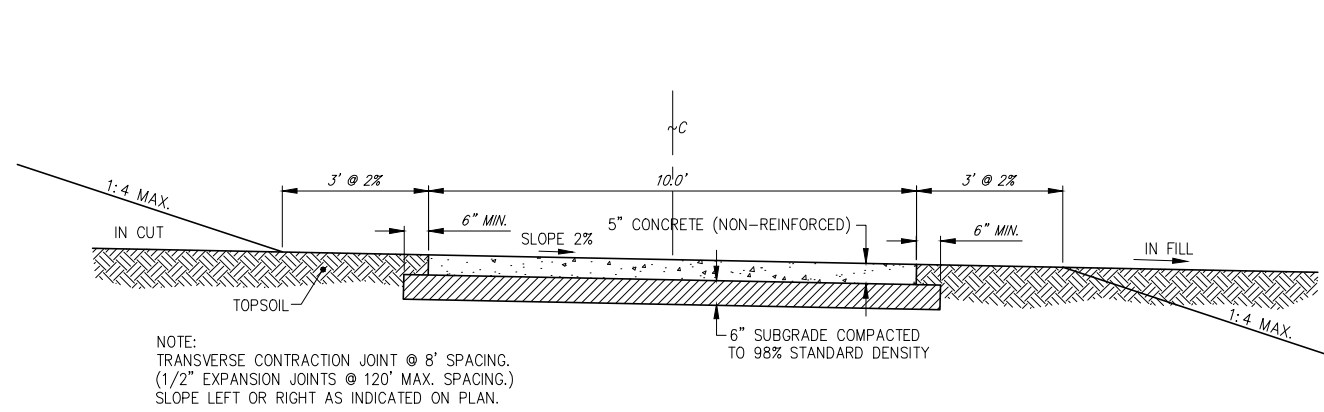
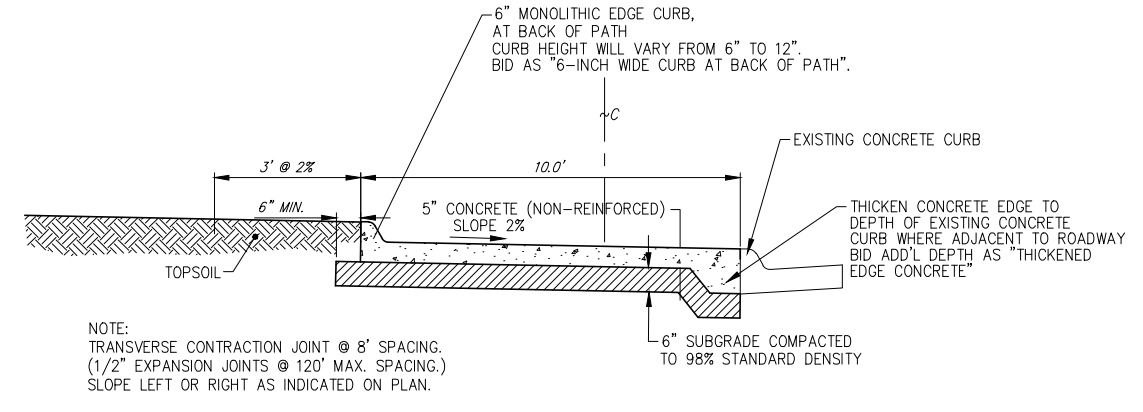


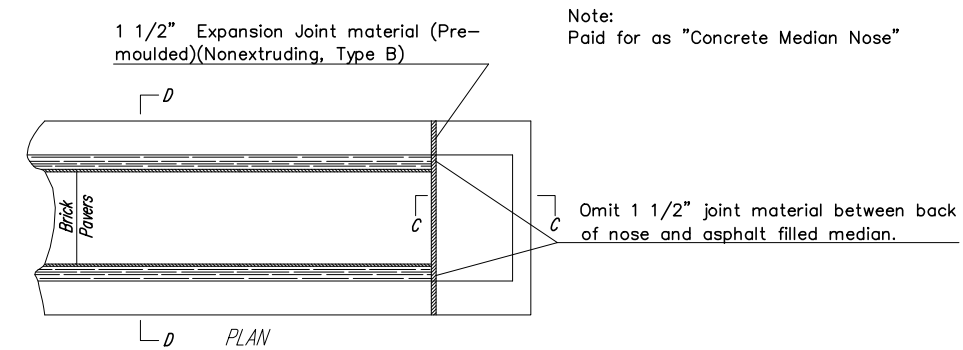
STATE	PROJECT NO.	YEAR	SHEET NO.	TOTAL SHEETS
KANSAS	87 TE-0623-01	2014	22	35



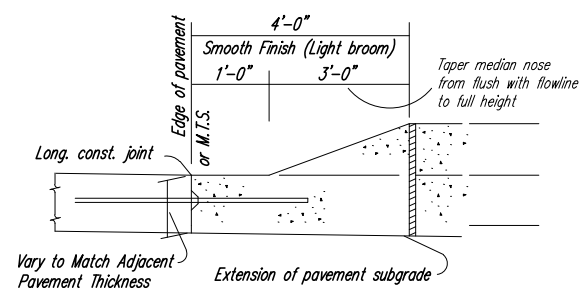
1 TYPICAL SECTION (5" CONCRETE)
NOT TO SCALE



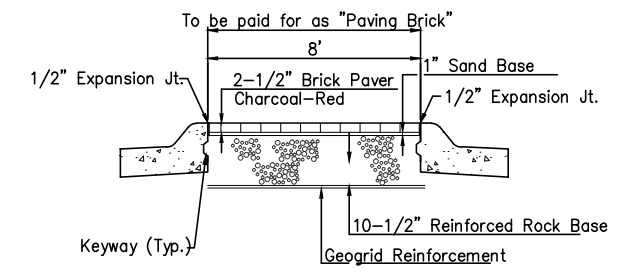
2 5" CONCRETE SECTION W/ MONOLITHIC CURB
NOT TO SCALE



Note: Expansion joints shall be placed in concrete median as follows. In long runs expansion joints shall be 1/2" expansion joint material (Nonextruding, Type B) flush with the surface. Expansion joints in the median shall match expansion joints in the curb and gutter with a maximum spacing of 100 feet. Plane of weakness in median shall match plane of weakness in curb & gutter.



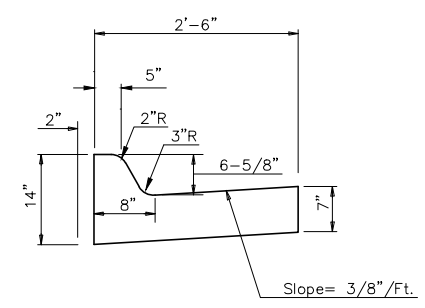
DRIVABLE MEDIAN NOSE - TYPE III
SECTION C-C



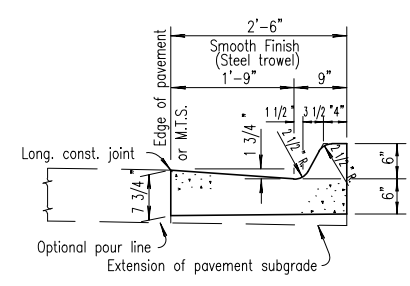
NOTE: Construction of the interlocking precast concrete paving stones shall conform to special provision 90P-3956.

SECTION D-D

3 TYPICAL NOSE DETAILS FOR RAISED MEDIANS
NOT TO SCALE



4 COMBINED CONCRETE CURB & GUTTER (6 - 5/8")
NOT TO SCALE



5 COMBINED CONCRETE CURB & GUTTER (TYPE I) (6")
NOT TO SCALE

RUGGLES BOHM

STANDARD PAVEMENT DETAILS
ARMOUR BIKE BOULEVARD
WICHITA, KANSAS

PROJECT NUMBER: 472-6511
DRAWING FILE: Details.dwg {22-...}

DESIGN: BDT
REVIEW: BDT
DATE: Sept 2014

REVISION: BDT
REVIEW: BDT
DATE: Sept 2014

RB JOB: 4181H
SHEET: 22
OF: 35

© Copyright 2013, Ruggles & Bohm, P.A.