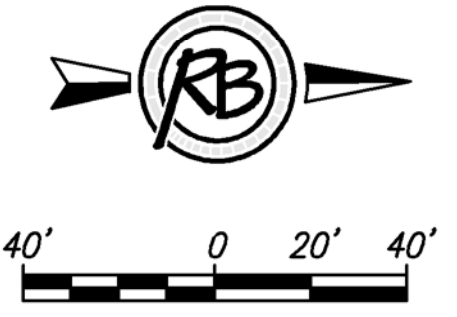
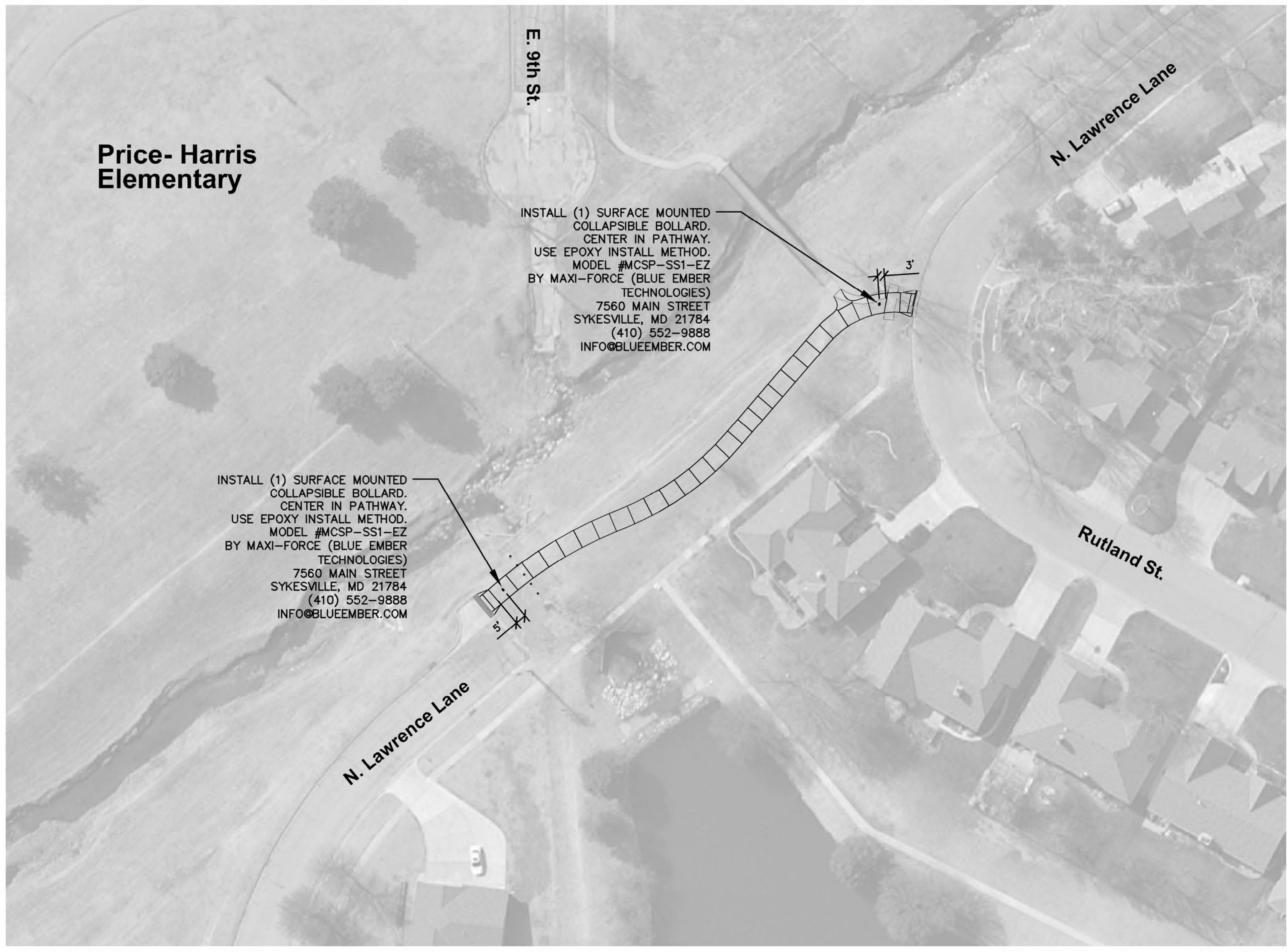
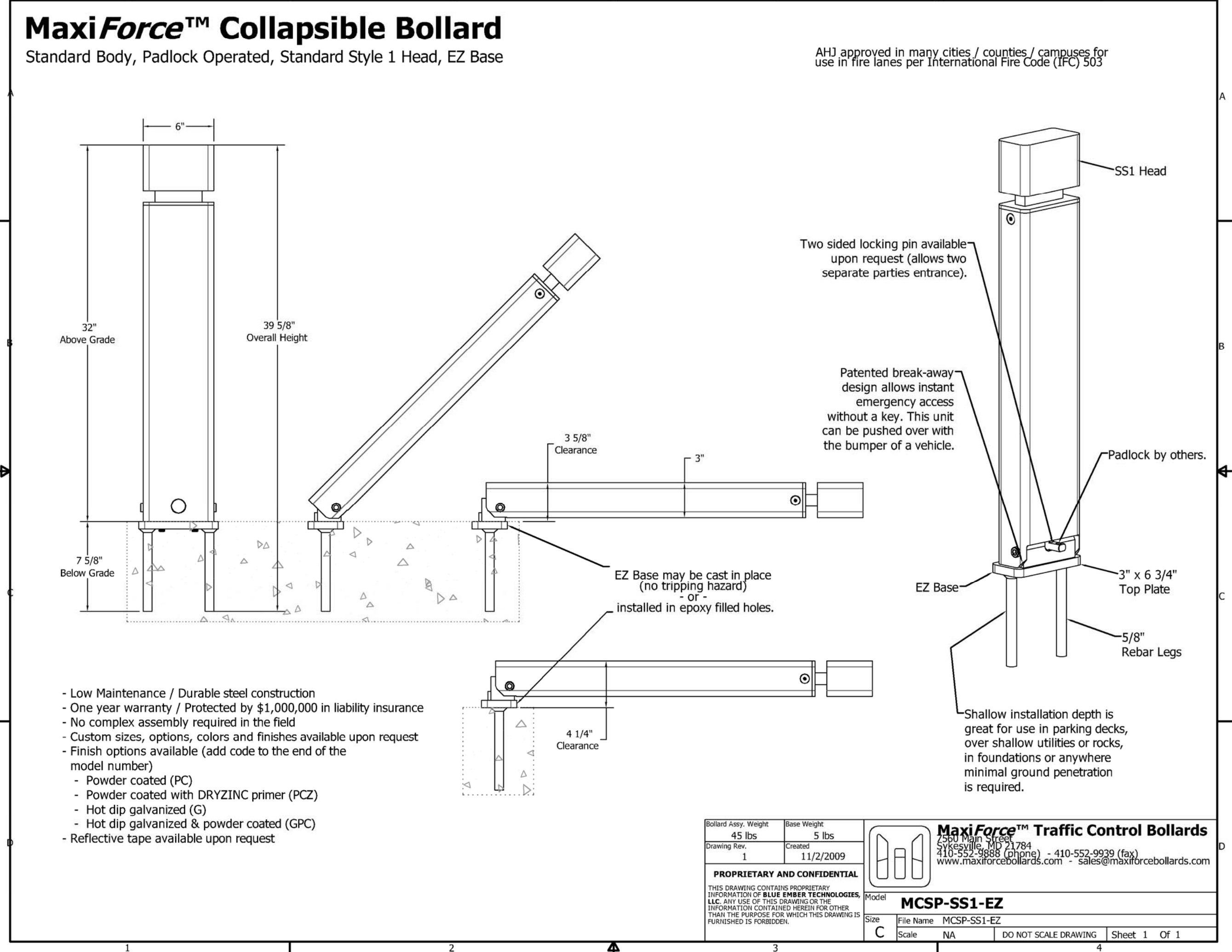


STATE	PROJECT NO.	YEAR	SHEET NO.	TOTAL SHEETS
KANSAS	87 TE-0623-01	2014	8	35



NOTE:
SIDEWALK IMPROVEMENTS AT
THIS LOCATION WERE
COMPLETED BY OTHERS.



LAWRENCE LANE CONNECTOR

RUGGLES BOHM

DESIGN: BDT
DRAWN: BDT
REVIEW: BDT

DATE: SEP 2014
DATE: SEP 2014

UTILITY
PROJECT NUMBER: 472-8571
DRAWING FILE: Armour base [06a Plan]

**LAWRENCE LN. CONNECTOR
ARMOUR BIKE BOULEVARD
WICHITA, KANSAS**

RS 408
4181H
SHEET
8
OF
35

© Copyright 2013, Ruggles & Bohm, P.A.