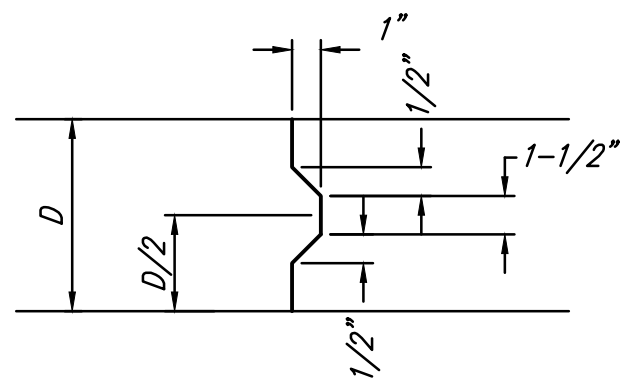
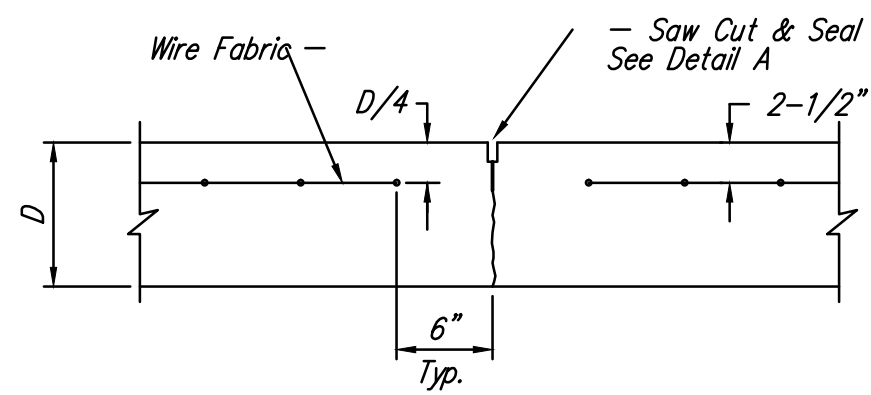


EXPANSION JOINT (E.J.)

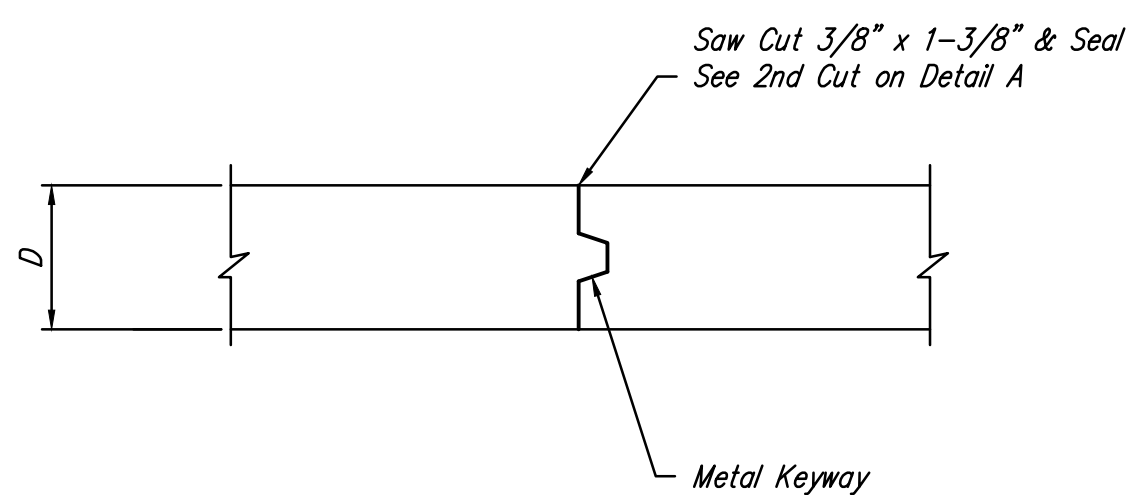
NOTE: Extra Thickness to be Subsidiary to Price of Square Yards Pavement



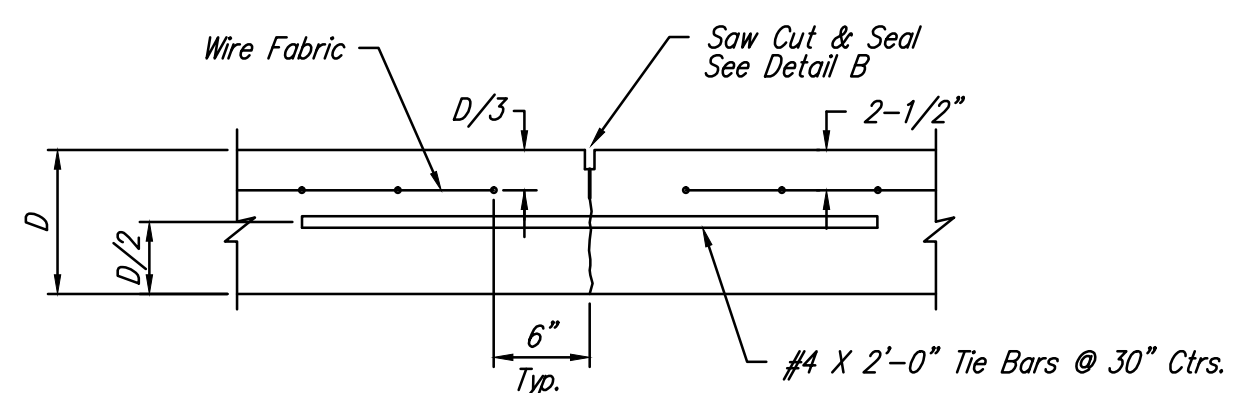
KEYWAY DETAIL



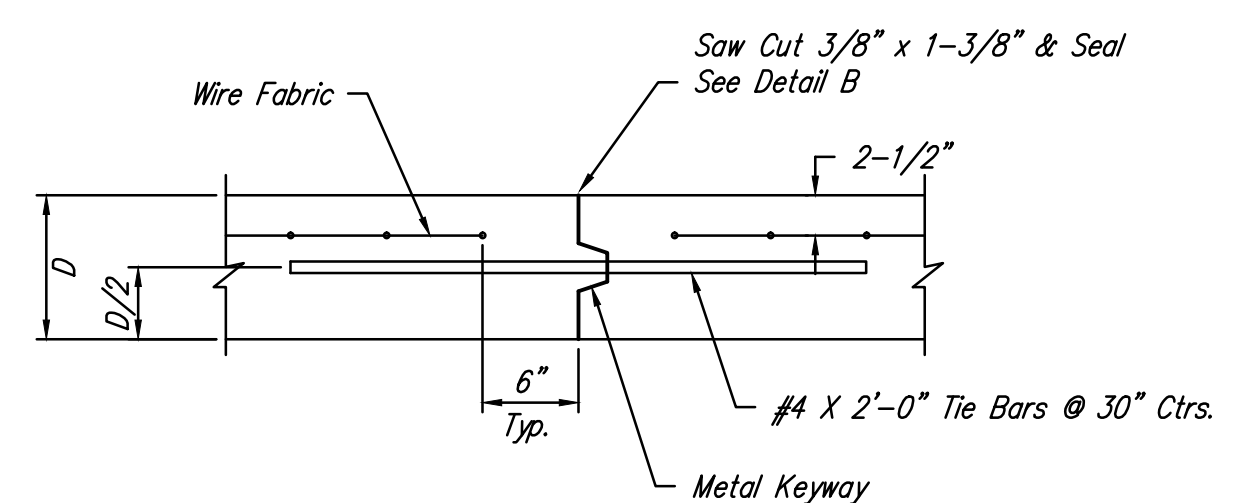
CONTRACTION JOINT DETAIL (C.J.)



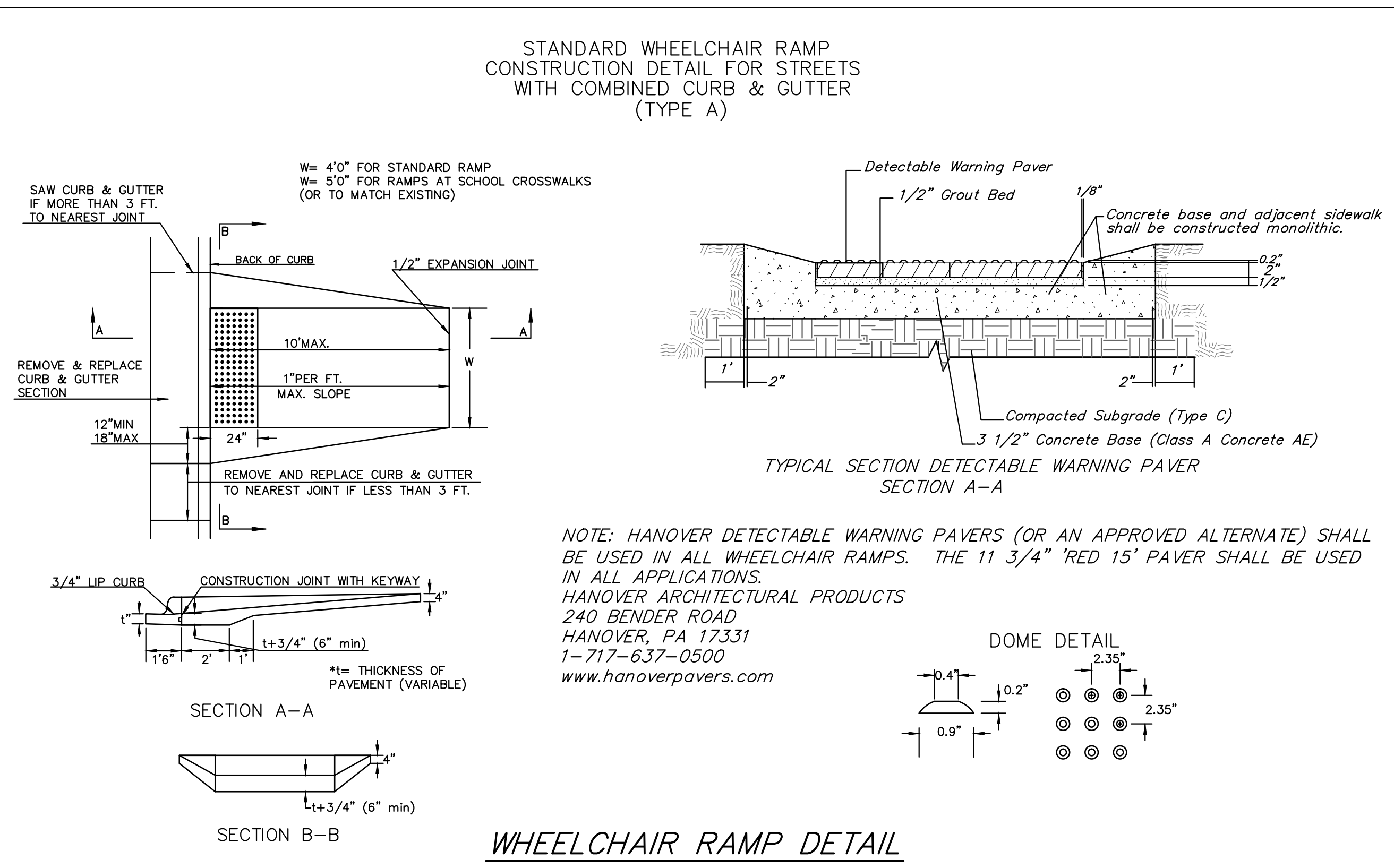
LONGITUDINAL JOINT DETAIL (L.J.) "A"



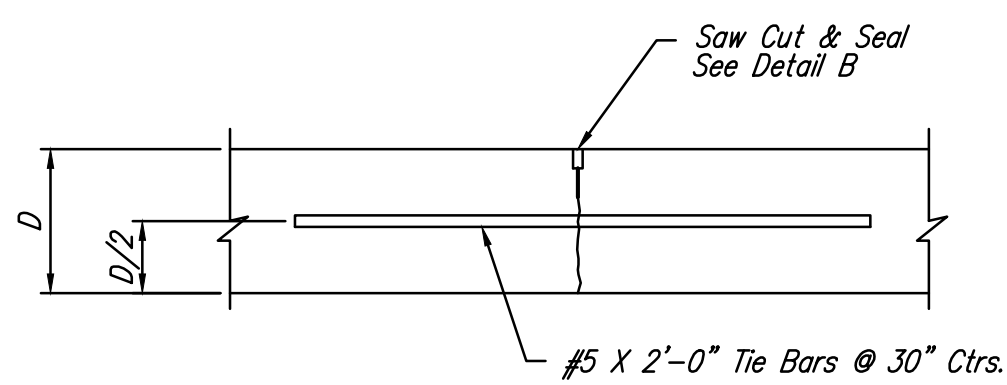
LONGITUDINAL JOINT DETAIL (L.J.)



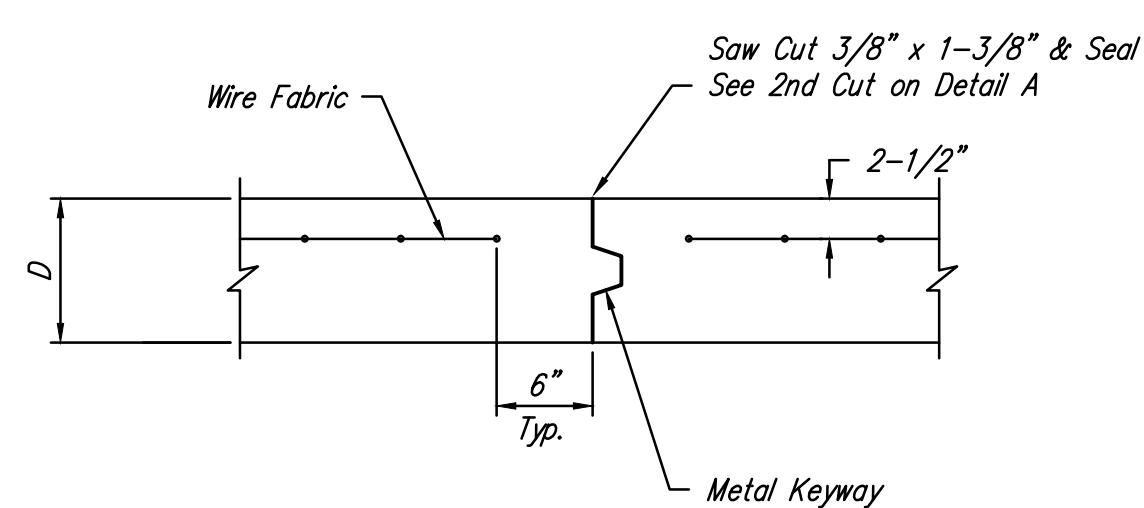
OPTIONAL LONGITUDINAL JOINT DETAIL (L.J.) (CONSTRUCTION JOINT)



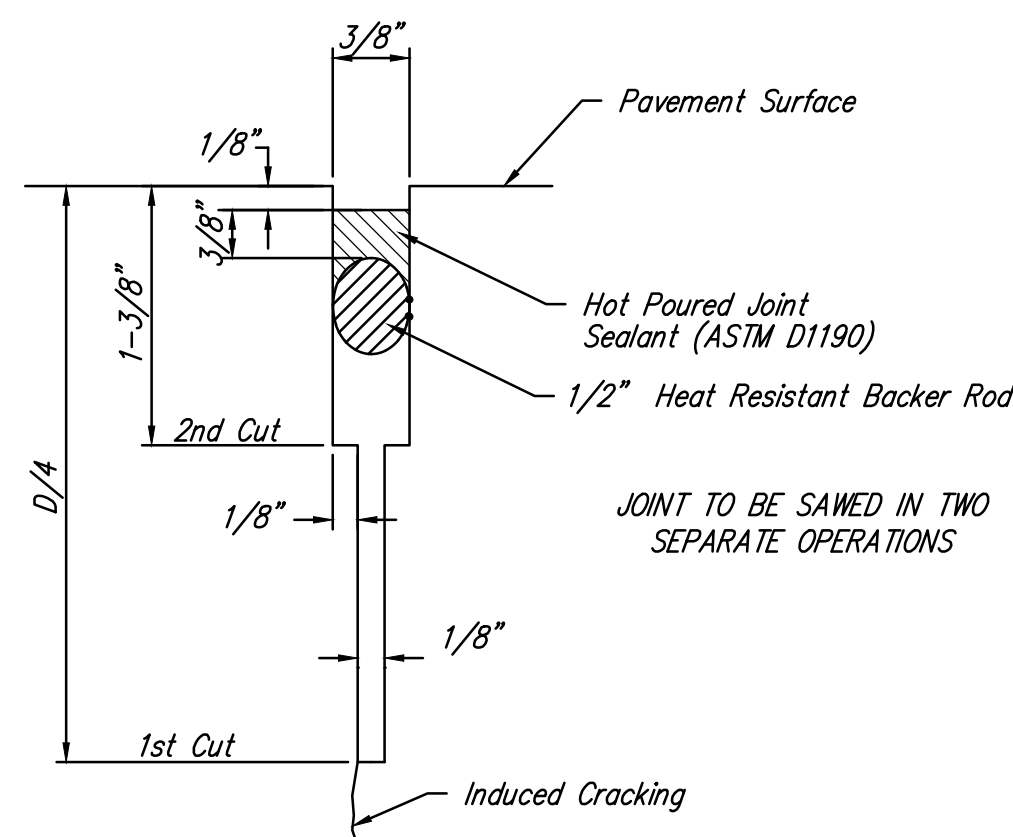
WHEELCHAIR RAMP DETAIL



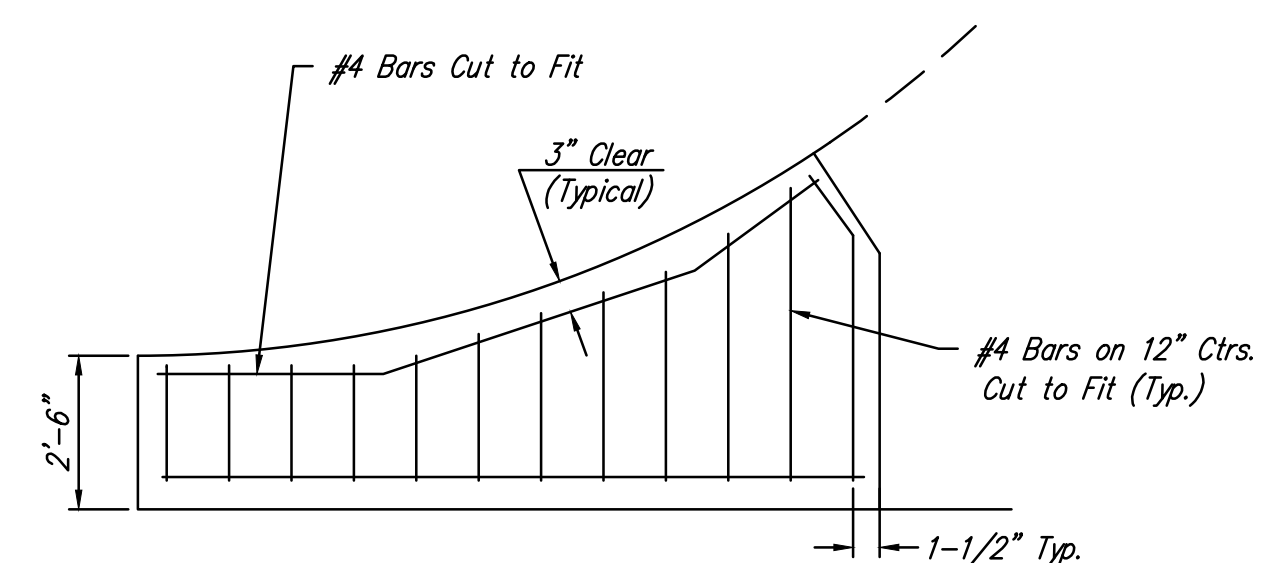
LONGITUDINAL JOINT DETAIL (L.J.) "B"



OPTIONAL CONTRACTION JOINT (CONSTRUCTION JOINT)



SAW JOINT DETAIL



WING REINFORCING DETAIL

	Falcon Falls 6th Addition MISCELLANEOUS DETAILS WHEELCHAIR RAMP DETAILS	
	Baughman Company, P.A. 315 Ellis St. Wichita, KS 67211 P 316-262-7271 F 316-262-0149 ENGINEERING SURVEYING PLANNING LANDSCAPE ARCHITECTURE	
PROJECT NUMBER	DESIGN	DRAWN
	AEG	JAK
REVISIONS:	APPROVED	DATE
		5/15
	SCALE	
	1" = 20'	
	SHEET	
		5 OF 24

E:\Projects\Falcon Falls 6th_14021019\Engineering\Phase 1\Set_1404E065\0206_STREET_DETAILS.dwg